

DCR-VX2100/VX2100E

RMT-811

SERVICE MANUAL

LEVEL 2

Ver 1.1 2005.06

Revision History

How to use
Acrobat Reader



Photo : DCR-VX2100

US Model
Canadian Model
Korea Model
DCR-VX2100
AEP Model
UK Model
Australian Model
Chinese Model
DCR-VX2100E
E Model
Hong Kong Model
Tourist Model
DCR-VX2100/VX2100E

C MECHANISM

Link

SPECIFICATIONS	BLOCK DIAGRAMS	PRINTED WIRING BOARDS
SERVICE NOTE	FRAME SCHEMATIC DIAGRAMS	REPAIR PARTS LIST
DISASSEMBLY	SCHEMATIC DIAGRAMS	

- For ADJUSTMENTS (SECTION 6), refer to SERVICE MANUAL, ADJ (987628851.pdf).
- For INSTRUCTION MANUAL, refer to SERVICE MANUAL, LEVEL 1 (987628841.pdf).
- For MECHANISM ADJUSTMENTS, refer to the "DV MECHANICAL ADJUSTMENT MANUAL IV [C MECHANISM]" (9-974-050-11).
- Reference No. search on printed wiring boards is available.

On the VC-358 board

This service manual provides the information that is premised the circuit board replacement service and not intended repair inside the VC-358 board.

Therefore, schematic diagram, printed wiring board, mounted parts location and electrical parts list of the FP-594 and VC-358 board are not shown.

The following pages are not shown.

Schematic diagram	Pages 4-43 to 4-78	Mounted parts location	Pages 4-127 to 4-128
Printed wiring board	Pages 4-113 to 4-118	Electrical parts list	Pages 5-27 to 5-35
Waveforms	Page 4-121 to 4-123		

Mini DV Digital Video Cassette

DIGITAL VIDEO CAMERA RECORDER

SONY®







HANDYCAM

Cassette
MemoryInfoLITHIUM
SERIES

SPECIFICATIONS

Video camera
recorder

System

Video recording system
2 rotary heads
Helical scanning system
Audio recording system
Rotary heads, PCM system
Quantization: 12 bits (Fs 32 kHz,
stereo 1, stereo 2), 16 bits
(Fs 48 kHz, stereo)
Video signal
DCR-VX2100:
NTSC color, EIA standards
DCR-VX2100E:
PAL color, CCIR standards
Usable cassette
Mini DV cassette with the  mark printed
Tape speed
SP: Approx. 18.81 mm/s
LP: Approx. 12.56 mm/s
Recording/playback time (using
cassette DVM60)
SP: 1 h
LP: 1.5 h
Fast-forward/rewind time
(using cassette DVM60)
Approx. 2 min and 30 s
Viewfinder
Electric viewfinder (color)
Image device
1/3 type CCD (3 Charge Coupled
Device)
Approx. 380 000 pixels
(Effective: Approx. 340 000 pixels)
Lens
Combined power zoom lens
Filter diameter 58 mm (2 3/8 in)
12: (Optical), 48: (Digital)
F1.6 - 2.4
Focal length
6 - 72 mm (1/4 - 2 7/8 in)
When converted to a 35 mm still
camera
43.2 - 518.4 mm (1 3/4 - 20 1/2 in)
Color temperature
Auto,  Indoor (3 200 K),
 Outdoor (5 800 K), 
Minimum illumination
1 lux (F1.6)

Input/Output connectors

S video input/output
Input/output auto switch
4-pin mini DIN
Luminance signal: 1 Vp-p,
75 ohms, unbalanced
Chrominance signal:
DCR-VX2100: 0.286Vp-p
DCR-VX2100E: 0.3Vp-p
75 ohms, unbalanced
Video input/output
Input/output auto switch
RCA pin-jack, 1 Vp-p, 75 ohms,
unbalanced
Audio input/output
Input/output auto switch
RCA pin-jack, 327 mV, (at output
impedance more than 47 kilohms)
Output impedance with less than
2.2 kilohms
Input impedance more than
47 kilohms
Headphones jack
Stereo minijack (ø 3.5 mm)
LANC control jack
Stereo mini-minijack (ø 2.5 mm)
MIC jack
Minijack, 0.388 mV low imped-
ance with 2.5 to 3.0 V DC, output
impedance 6.8 kilohms (ø 3.5 mm)
Stereo type
DV Interface
4-pin connector
Speaker
Dynamic speaker (ø 20 mm)

LCD screen

Picture
6.2cm (2.5 type)
Total dot number
211 000 (960 · 220)

General

Power requirements
7.2 V (battery pack)
8.4 V (AC Adaptor)
Average power consumption
(when using the battery pack)
During camera recording using
LCD
4.7 W
Viewfinder
4.0 W
Operating temperature
0 °C to 40 °C (32 °F to 104 °F)
Storage temperature
-20 °C to +60 °C (-4 °F to +140 °F)

Dimensions (approx.)
120 × 159 × 393 mm (4 3/4 × 6 3/8
× 15 1/2 in) (w/h/d)
Mass (approx.)
1.5 kg (3 lb 6 oz) including the
hood with a lens cap
1.6 kg (3 lb 9 oz)
including the rechargeable battery
pack, NP-F330 and cassette
DVM60
Supplied accessories
See page 5-37.

AC Adaptor
AC-L15A/L15B

Power requirements
100 - 240 V AC, 50/60 Hz
Current consumption
0.35 - 0.18 A
Power consumption
18 W
Output voltage
DC OUT: 8.4 V, 1.5 A
Operating temperature
0 °C to 40 °C (32 °F to 104 °F)
Storage temperature
-20 °C to +60 °C (-4 °F to +140 °F)
Dimensions (approx.)
56 × 31 × 100 mm
(2 1/4 × 1 1/4 × 4 in) (w/h/d)
excluding projecting parts
Mass (approx.)
190 g (6.7 oz)
excluding power cord

Rechargeable
battery pack
NP-F330

Output voltage
DC 7.2 V
Capacity
5.0 Wh
Dimensions (approx.)
38.4 × 20.6 × 70.8 mm (1.9/16 ×
13/16 × 2 7/8 in) (w/h/d)
Mass (approx.)
70 g (2.5 oz)
Type
Lithium ion

Design and specifications are
subject to change without notice.

SAFETY-RELATED COMPONENT WARNING!!

COMPONENTS IDENTIFIED BY MARK \triangle OR DOTTED LINE WITH MARK \triangle ON THE SCHEMATIC DIAGRAMS AND IN THE PARTS LIST ARE CRITICAL TO SAFE OPERATION. REPLACE THESE COMPONENTS WITH SONY PARTS WHOSE PART NUMBERS APPEAR AS SHOWN IN THIS MANUAL OR IN SUPPLEMENTS PUBLISHED BY SONY.

ATTENTION AU COMPOSANT AYANT RAPPORT À LA SÉCURITÉ!

LES COMPOSANTS IDENTIFIÉS PAR UNE MARQUE \triangle SUR LES DIAGRAMMES SCHÉMATIQUES ET LA LISTE DES PIÈCES SONT CRITIQUES POUR LA SÉCURITÉ DE FONCTIONNEMENT. NE REMPLACER CES COMPOSANTS QUE PAR DES PIÈCES SONY DONT LES NUMÉROS SONT DONNÉS DANS CE MANUEL OU DANS LES SUPPLÉMENTS PUBLIÉS PAR SONY.

CAUTION :

Danger of explosion if battery is incorrectly replaced.
Replace only with the same or equivalent type.

SAFETY CHECK-OUT

After correcting the original service problem, perform the following safety checks before releasing the set to the customer.

1. Check the area of your repair for unsoldered or poorly-soldered connections. Check the entire board surface for solder splashes and bridges.
2. Check the interboard wiring to ensure that no wires are "pinched" or contact high-wattage resistors.
3. Look for unauthorized replacement parts, particularly transistors, that were installed during a previous repair. Point them out to the customer and recommend their replacement.
4. Look for parts which, through functioning, show obvious signs of deterioration. Point them out to the customer and recommend their replacement.
5. Check the B+ voltage to see it is at the values specified.
6. Flexible Circuit Board Repairing
 - Keep the temperature of the soldering iron around 270°C during repairing.
 - Do not touch the soldering iron on the same conductor of the circuit board (within 3 times).
 - Be careful not to apply force on the conductor when soldering or unsoldering.

Unleaded solder

Boards requiring use of unleaded solder are printed with the lead-free mark (LF) indicating the solder contains no lead.
(Caution: Some printed circuit boards may not come printed with the lead free mark due to their particular size.)

**: LEAD FREE MARK**

Unleaded solder has the following characteristics.

- Unleaded solder melts at a temperature about 40°C higher than ordinary solder.
Ordinary soldering irons can be used but the iron tip has to be applied to the solder joint for a slightly longer time.
Soldering irons using a temperature regulator should be set to about 350°C.
Caution: The printed pattern (copper foil) may peel away if the heated tip is applied for too long, so be careful!
- Strong viscosity
Unleaded solder is more viscous (sticky, less prone to flow) than ordinary solder so use caution not to let solder bridges occur such as on IC pins, etc.
- Usable with ordinary solder
It is best to use only unleaded solder but unleaded solder may also be added to ordinary solder.

TABLE OF CONTENTS

1. SERVECE NOTE

1-1. NOTE FOR REPAIR	1-1
1-2. SERVICE NOTE	1-2
1. POWER SUPPLY DURING REPAIRS	1-2
2. TO TAKE OUT A CASSETTE WHEN NOT EJECT (FORCE EJECT)	1-2
1-3. SELF-DIAGNOSIS FUNCTION	1-3
1. SELF-DIAGNOSIS FUNCTION	1-3
2. SELF-DIAGNOSIS DISPLAY	1-3
3. SELF-DIAGNOSIS CODE TABLE	1-4

2. DISASSEMBLY

2-1. LCD SECTION (HL-013, PD-217 BOARDS, INVERTER TRANSFORMER UNIT)	2-2
2-2. EVF SECTION (LB-100 BOARD)	2-3
2-3. (UPPER) HANDLE BLOCK ASSEMBLY	2-3
2-4. FK-088, MA-430, MI-050, FT-092, RM-091, ZM-030 BOARDS	2-4
2-5. CABINET (L) BLOCK ASSEMBLY, MECHANISM DECK, VC-358, DD-216, JK-267 BOARDS (FOR FORCE EJECT OF CASSETTE AND VTR SECTION CHECK)	2-6
2-6. CABINET (R) BLOCK ASSEMBLY	2-8
2-7. CABINET BOTTOM ASSEMBLY	2-8
2-8. BATTERY PANEL BLOCK ASSEMBLY (MK-016, KP-013, MS-209 BOARDS)	2-9
2-9. EVF BLOCK ASSEMBLY	2-9
2-10. LA-028, DD-216, VC-358, JK-267 BOARDS, MECHANISM DECK	2-10
2-11. LENS BLOCK ASSEMBLY, CENTER FRAME ASSEMBLY	2-11
2-12. CD-512, SE-147 BOARDS, ZOOM LENS ASSEMBLY ..	2-12
2-13. CONTROL SWITCH BLOCK (PS-4980), CONTROL SWITCH BLOCK (CF-4980)	2-12
2-14. CK-140 BOARD	2-13
2-15. CONTROL SWITCH BLOCK (ED-4980), HINGE ASSEMBLY	2-14
2-16. CIRCUIT BOARDS LOCATION	2-15
2-17. FLEXIBLE BOARDS LOCATION	2-16

3. BLOCK DIAGRAMS

3-1. OVERALL BLOCK DIAGRAM (1/4)	3-1
3-2. OVERALL BLOCK DIAGRAM (2/4)	3-3
3-3. OVERALL BLOCK DIAGRAM (3/4)	3-5
3-4. OVERALL BLOCK DIAGRAM (4/4)	3-7
3-5. POWER BLOCK DIAGRAM (1/3)	3-9
3-6. POWER BLOCK DIAGRAM (2/3)	3-11
3-7. POWER BLOCK DIAGRAM (3/3)	3-13

4. PRINTED WIRING BOARDS AND SCHEMATIC DIAGRAMS

4-1. FRAME SCHEMATIC DIAGRAM (1/3)	4-1
FRAME SCHEMATIC DIAGRAM (2/3)	4-3
FRAME SCHEMATIC DIAGRAM (3/3)	4-5
4-2. SCHEMATIC DIAGRAMS	4-11
• CD-512 (CCD IMAGER) SCHEMATIC DIAGRAM	4-11
• JK-267 (JACK BOARD) SCHEMATIC DIAGRAM	4-13
• CK-140 (KEY IN) SCHEMATIC DIAGRAM	4-15
• CONTROL SWITCH BLOCK (ED-4980) SCHEMATIC DIAGRAM	4-16
• FP-194, FP-197 FLEXIBLE SCHEMATIC DIAGRAM	4-16
• PD-217 (RGB DRIVE, TG) SCHEMATIC DIAGRAM	4-17

• LA-028 (1/3) (ZOOM/FOCUS DRIVE) SCHEMATIC DIAGRAM	4-19
• SE-147 (VAP SENSOR) SCHEMATIC DIAGRAM	4-19
• LA-028 (2/3) (VAP DRIVE) SCHEMATIC DIAGRAM	4-21
• LA-028 (3/3) (KEY IN/CONNECTOR) SCHEMATIC DIAGRAM	4-23
• FP-188, FP-189 FLEXIBLE SCHEMATIC DIAGRAM	4-23
• KP-013 (SELECT DIAL), MK-016 (CONTROL KEY), MS-209 (MS CONNECTOR) SCHEMATIC DIAGRAM	4-25
• ZM-030 (ZOOM SWITCH) SCHEMATIC DIAGRAM	4-26
• FK-088 (CONTROL SWITCH) SCHEMATIC DIAGRAM	4-27
• MI-050 (MIC IN), FT-092 (REMOTE) SCHEMATIC DIAGRAM	4-29
• FP-893, FP-894 FLEXIBLE SCHEMATIC DIAGRAM	4-30
• LB-100 (BACK LIGHT) SCHEMATIC DIAGRAM	4-31
• CONTROL SWITCH BLOCK (CF-4980, PS-4980) SCHEMATIC DIAGRAM	4-32
• HL-013 (LCD DRIVE) SCHEMATIC DIAGRAM	4-33
• FP-195, FP-196, FP-205 FLEXIBLE SCHEMATIC DIAGRAM	4-33
• MA-430 (AUDIO AMP) SCHEMATIC DIAGRAM	4-35
• DD-216 (1/2) (DC/DC CONVERTER) SCHEMATIC DIAGRAM	4-37
• DD-216 (2/2) (DC REGULATOR) SCHEMATIC DIAGRAM	4-39
• RM-091 (REAR REMOCON RECEIVER) SCHEMATIC DIAGRAM	4-41

Schematic diagrams of the FP-594 and VC-358 board are not shown.
Pages from 4-43 to 4-78 are not shown.

4-3. PRINTED WIRING BOARDS	4-81
• CD-512 (CCD IMAGER) PRINTED WIRING BOARD	4-81
• JK-267 (JACK BOARD) PRINTED WIRING BOARD	4-83
• CK-140 (KEY IN) PRINTED WIRING BOARD	4-85
• PD-217 (RGB DRIVE, TG) PRINTED WIRING BOARD	4-87
• FP-194 FLEXIBLE PRINTED WIRING BOARD	4-88
• LA-028 (ZOOM/FOCUS DRIVE, VAP DRIVE, KEY IN/CONNECTOR) PRINTED WIRING BOARD	4-89
• SE-147 (VAP SENSOR) PRINTED WIRING BOARD	4-91
• FP-188 FLEXIBLE PRINTED WIRING BOARD	4-91
• FP-189 FLEXIBLE PRINTED WIRING BOARD	4-92
• MS-209 (MS CONNECTOR) PRINTED WIRING BOARD	4-93
• KP-013 (SELECT DIAL) PRINTED WIRING BOARD	4-95

• MK-016 (CONTROL KEY)	
PRINTED WIRING BOARD	4-95
• FK-088 (CONTROL SWITCH)	
PRINTED WIRING BOARD	4-97
• MI-050 (MIC IN)	
PRINTED WIRING BOARD	4-99
• FT-092 (REMOTE)	
PRINTED WIRING BOARD	4-99
• LB-100 (BACK LIGHT)	
PRINTED WIRING BOARD	4-101
• HL-013 (LCD DRIVE)	
PRINTED WIRING BOARD	4-103
• FP-196 FLEXIBLE	
PRINTED WIRING BOARD	4-104
• MA-430 (AUDIO AMP)	
PRINTED WIRING BOARD	4-105
• DD-216 (DC/DC CONVERTER, DC REGURATOR)	
PRINTED WIRING BOARD	4-107
• ZM-030 (ZOOM SWITCH)	
PRINTED WIRING BOARD	4-109
• RM-091 (REAR REMOCON RECEIVER)	
PRINTED WIRING BOARD	4-111

Printed wiring boards of the FP-594 and VC-358 board are not shown.
Pages from 4-113 to 4-118 are not shown.

4-4. WAVEFORMS	4-119
----------------------	-------

Waveforms of the VC-358 board are not shown.
Pages 4-121 to 4-123 are not shown.

4-5. MOUNTED PARTS LOCATION	4-124
-----------------------------------	-------

Mounted parts locations of the VC-358 board are not shown.
Page 4-127 to 4-128 are not shown.

5. REPAIR PARTS LIST

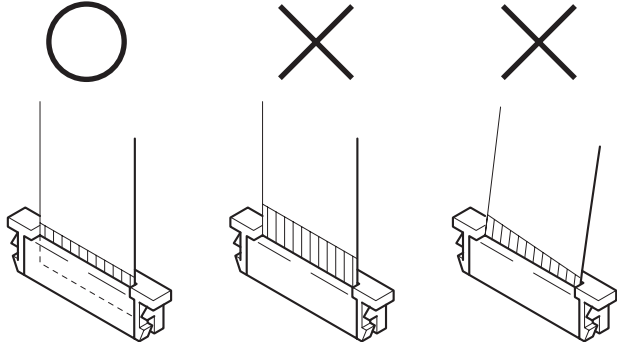
5-1. EXPLODED VIEWS	5-3
5-1-1. OVERALL SECTION-1	5-3
5-1-2. OVERALL SECTION-2	5-4
5-1-3. CABINET (L) SECTION	5-5
5-1-4. CABINET (R) SECTION-1	5-6
5-1-5. CABINET (R) SECTION-2	5-7
5-1-6. UPPER HANDLE SECTION	5-8
5-1-7. BATTERY PANEL SECTION	5-9
5-1-8. EVF SECTION	5-10
5-1-9. CENTER FRAME SECTION	5-11
5-1-10. LENS BLOCK SECTION	5-12
5-1-11. CASSETTE COMPARTMENT, DRUM AND REEL TABLE ASSEMBLY	5-13
5-1-12. TAPE GUIDE, PINCH SLIDER ASSEMBLY AND BRAKE SLIDER ASSEMBLY	5-14
5-1-13. EACH GEARS AND LOADING/CAPSTAN MOTOR ASSEMBLY	5-15
5-2. ELECTRICAL PARTS LIST	5-16

Parts list of the VC-358 board is not shown.
Pages from 5-27 to 5-35 are not shown.

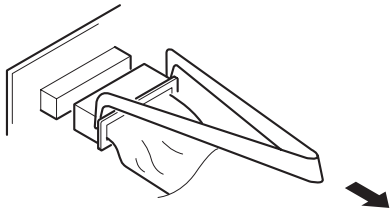
**SECTION 1
SERVICE NOTE**

1-1. NOTE FOR REPAIR

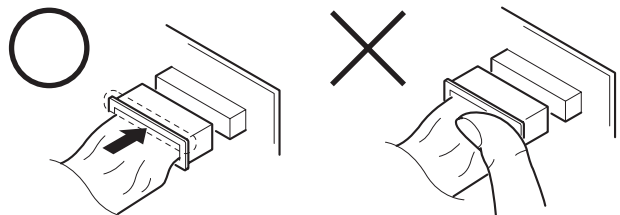
*Make sure that the flat cable and flexible board are not cracked or bent at the terminal.
Do not insert the cable insufficiently nor crookedly.*



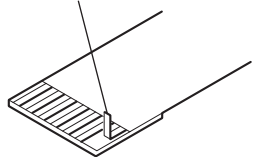
*When remove a connector, don't pull at wire of connector.
Be in danger of the snapping of a wire.*



*When installing a connector, don't press down at wire of connector.
Be in danger of the snapping of a wire.*



*Cut and remove the part of gilt which comes off at the point.
(Take care that there are some pieces of gilt left inside)*



1-2. SERVICE NOTE

1. POWER SUPPLY DURING REPAIRS

In this unit, about 10 seconds after power is supplied to the battery terminal using the regulated power supply (8.4V), the power is shut off so that the unit cannot operate.

These following two methods are available to prevent this. Take note of which to use during repairs.

Method 1.

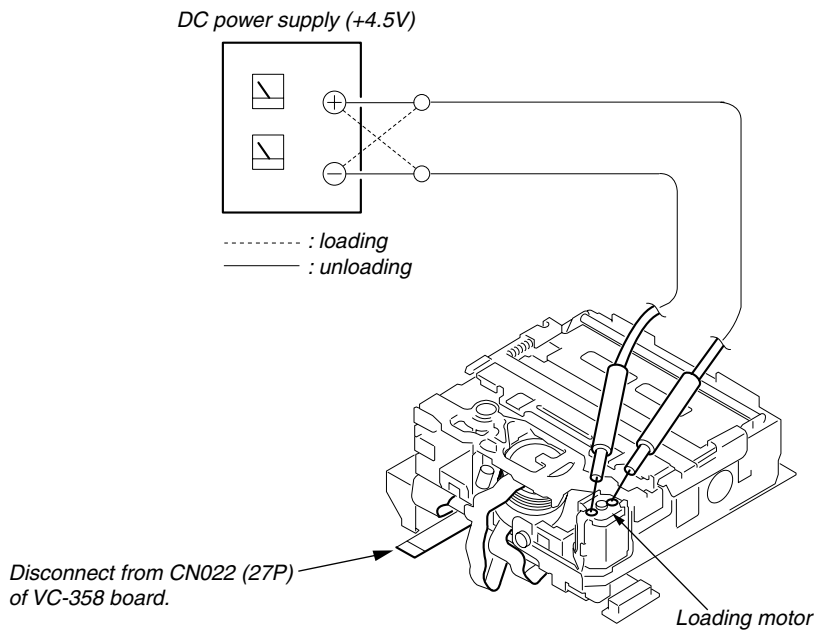
Connect the servicing remote commander RM-95 (J-6082-053-B) to the LANC jack, and set the commander switch to the "ADJ" side.

Method 2.

Use the DC IN terminal. (Use the AC power adaptor. (AC-L10, AC-VQ800 etc.))

2. TO TAKE OUT A CASSETTE WHEN NOT EJECT (FORCE EJECT)

- ① Refer to page 2-3 to remove the upper handle block assembly.
- ② Refer to page 2-6 to remove the cabinet (L) assembly.
- ③ Refer to page 2-6 to remove the mechanism deck (Including VC-358 board and DD-216 board).
- ④ Remove DD-216 board from the mechanism deck (Including VC-358 board).
- ⑤ Remove the CN022 (27P 0.3 mm) of VC-358 board.
- ⑥ Supply +4.5V from the DC power supply to the loading motor and unload with a pressing the cassette compartment.



1-3. SELF-DIAGNOSIS FUNCTION

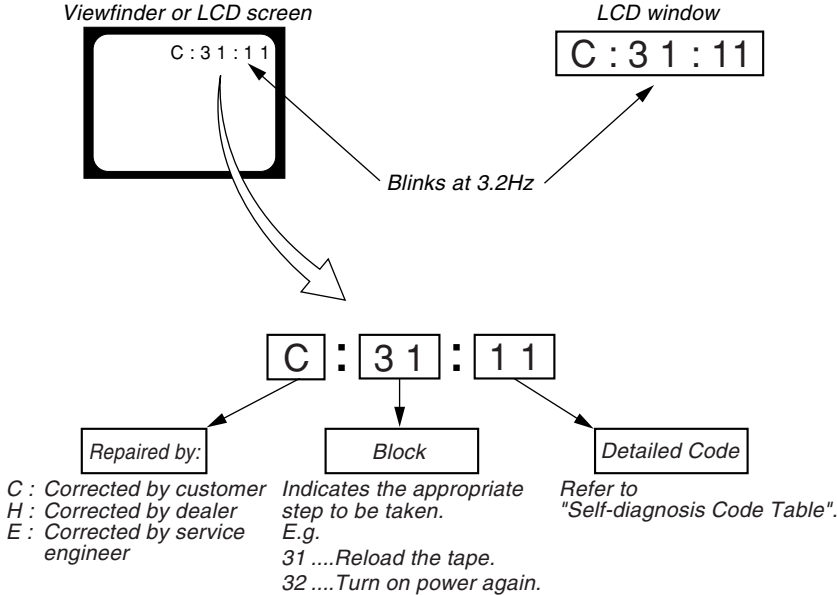
1. SELF-DIAGNOSIS FUNCTION

When problems occur while the unit is operating, the self-diagnosis function starts working, and displays on the viewfinder, LCD screen or LCD window what to do. This function consists of two display; self-diagnosis display and service mode display.

Details of the self-diagnosis functions are provided in the Instruction manual.

2. SELF-DIAGNOSIS DISPLAY

When problems occur while the unit is operating, the counter of the viewfinder, LCD screen or LCD window consists of an alphabet and 4-digit numbers, which blinks at 3.2 Hz. This 5-character display indicates the "repaired by:", "block" in which the problem occurred, and "detailed code" of the problem.



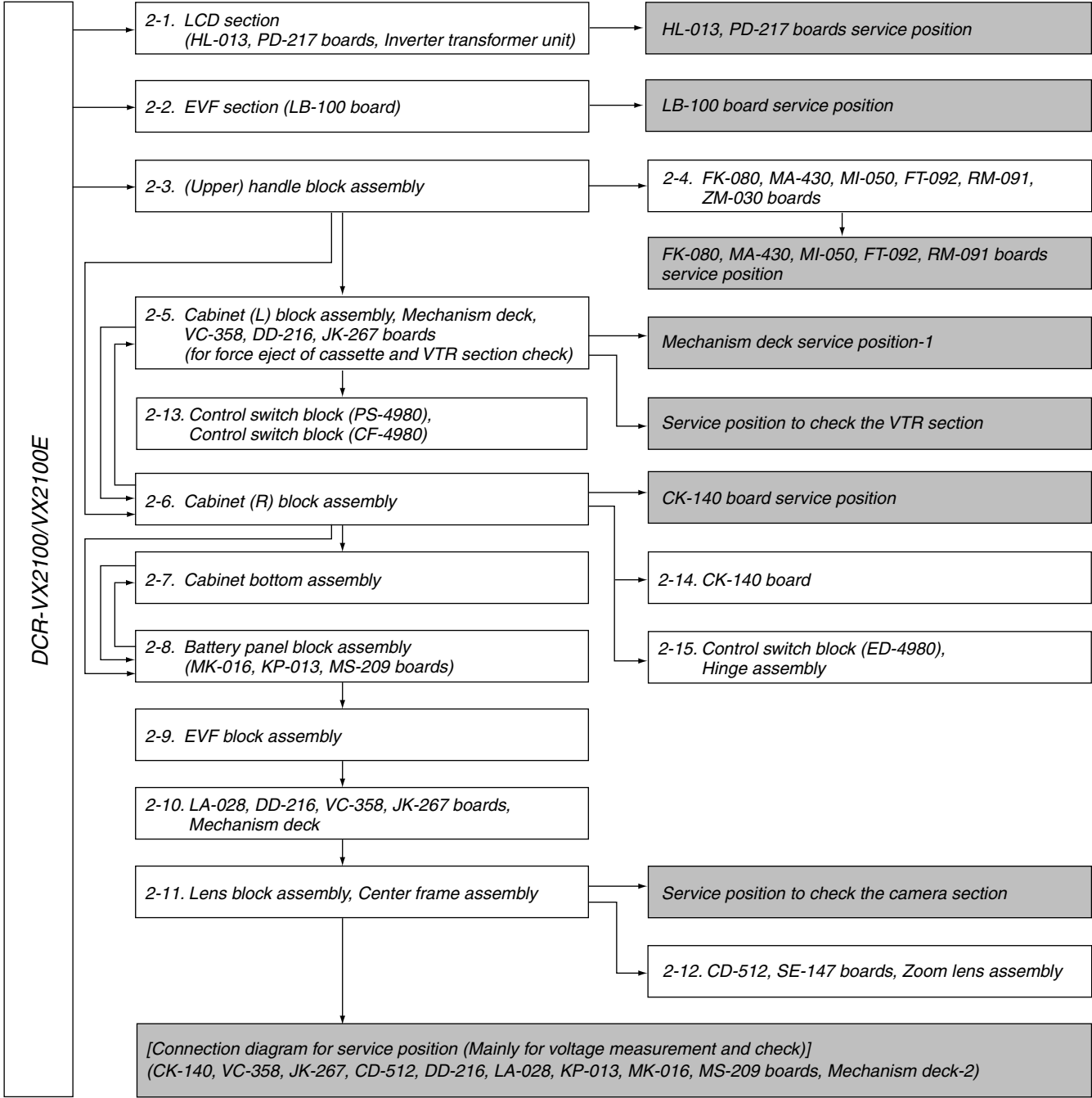
Note: The "self-diagnosis display" data will be backed up by the coin-type lithium battery of ZM-030 board BT801, 802. When the (upper) handle block is removed, the "self-diagnosis display" data will be lost by initialization.

3. SELF-DIAGNOSIS CODE TABLE

Self-diagnosis Code			Symptom/State	Correction
Repaired by:	Block Function	Detailed Code		
C	0 4	0 0	Non-standard battery is used.	Use the info LITHIUM battery.
C	2 1	0 0	Condensation.	Remove the cassette, and insert it again after one hour.
C	2 2	0 0	Video head is dirty.	Clean with the optional cleaning cassette.
C	3 1	1 0	LOAD direction. Loading does not complete within specified time	Load the tape again, and perform operations from the beginning.
C	3 1	1 1	UNLOAD direction. Loading does not complete within specified time	Load the tape again, and perform operations from the beginning.
C	3 1	2 0	T reel side tape slacking when unloading.	Load the tape again, and perform operations from the beginning.
C	3 1	2 1	Winding S reel fault when counting the rest of tape.	Load the tape again, and perform operations from the beginning.
C	3 1	2 2	T reel fault.	Load the tape again, and perform operations from the beginning.
C	3 1	2 3	S reel fault.	Load the tape again, and perform operations from the beginning.
C	3 1	2 4	T reel fault.	Load the tape again, and perform operations from the beginning.
C	3 1	3 0	FG fault when starting capstan.	Load the tape again, and perform operations from the beginning.
C	3 1	4 0	FG fault when starting drum.	Load the tape again, and perform operations from the beginning.
C	3 1	4 2	FG fault during normal drum operations.	Load the tape again, and perform operations from the beginning.
C	3 2	1 0	LOAD direction loading motor time-out.	Remove the battery or power cable, connect, and perform operations from the beginning.
C	3 2	1 1	UNLOAD direction loading motor time-out.	Remove the battery or power cable, connect, and perform operations from the beginning.
C	3 2	2 0	T reel side tape slacking when unloading.	Remove the battery or power cable, connect, and perform operations from the beginning.
C	3 2	2 1	Winding S reel fault when counting the rest of tape.	Remove the battery or power cable, connect, and perform operations from the beginning.
C	3 2	2 2	T reel fault.	Remove the battery or power cable, connect, and perform operations from the beginning.
C	3 2	2 3	S reel fault.	Remove the battery or power cable, connect, and perform operations from the beginning.
C	3 2	2 4	T reel fault.	Remove the battery or power cable, connect, and perform operations from the beginning.
C	3 2	3 0	FG fault when starting capstan.	Remove the battery or power cable, connect, and perform operations from the beginning.
C	3 2	4 0	FG fault when starting drum	Remove the battery or power cable, connect, and perform operations from the beginning.
C	3 2	4 2	FG fault during normal drum operations	Remove the battery or power cable, connect, and perform operations from the beginning.
E	6 1	0 0	Difficult to adjust focus (Cannot initialize focus.)	Inspect the lens block focus reset sensor (Pin ⑳ of LA-028 board) when focusing is performed when the focus ring is rotated in the focus manual mode, and the focus motor drive circuit (IC140 of LA-028 board) when the focusing is not performed.
E	6 1	1 0	Zoom operations fault (Cannot initialize zoom lens.)	Inspect the lens block zoom reset sensor (Pin ㉑ of LA-028 board) when zooming is performed when the zoom lens is operated and the zoom motor drive circuit (IC140 of LA-028 board) when zooming is not performed.
E	6 2	0 0	Steadyshot function does not work well. (With pitch angular velocity sensor output stopped.)	Inspect pitch angular velocity sensor (SE601 of SE-147 board) peripheral circuits.
E	6 2	0 1	Steadyshot function does not work well. (With yaw angular velocity sensor output stopped.)	Inspect yaw angular velocity sensor (SE600 of SE-147 board) peripheral circuits.

SECTION 2
DISASSEMBLY

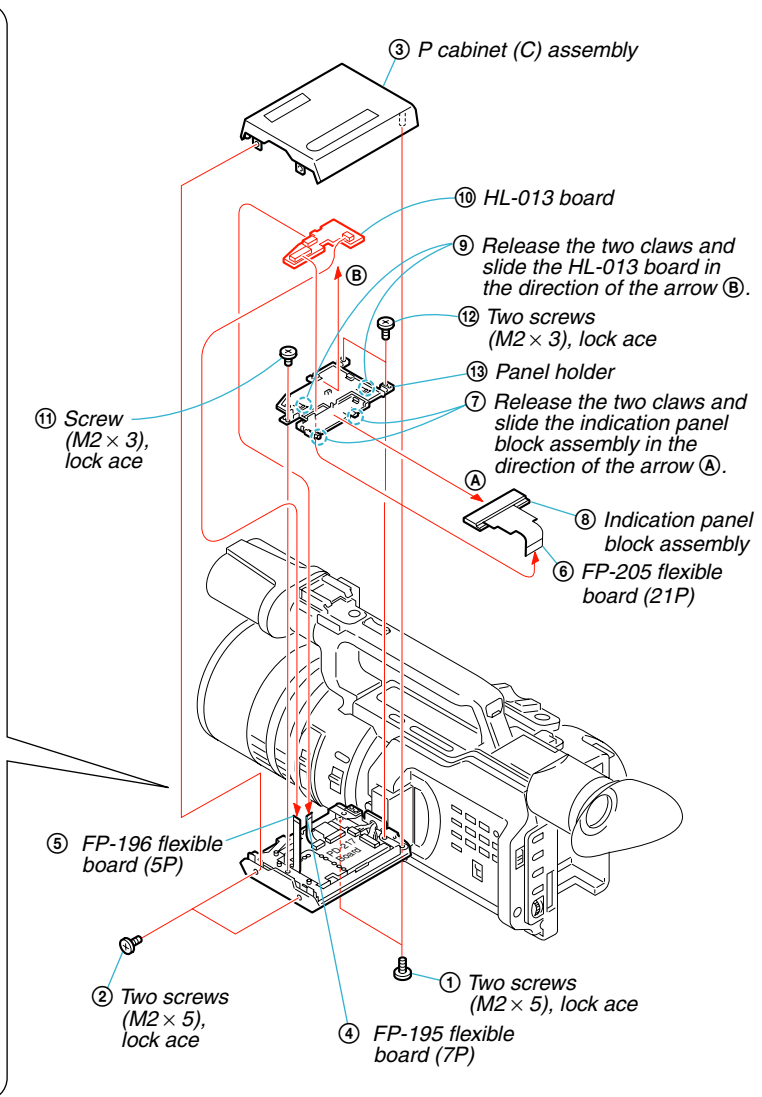
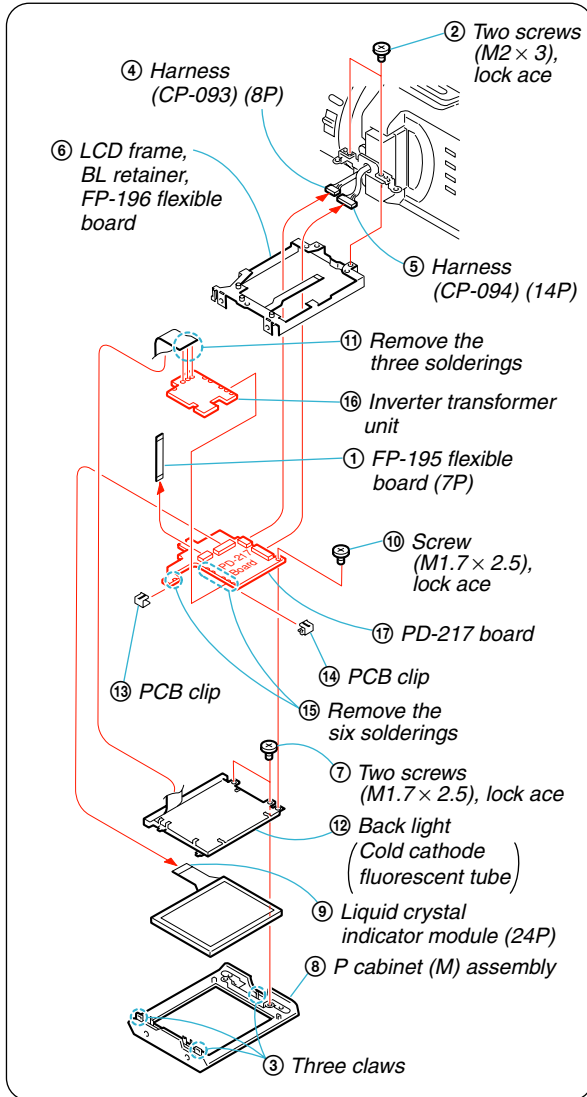
The following flow chart shows the disassembly procedure.



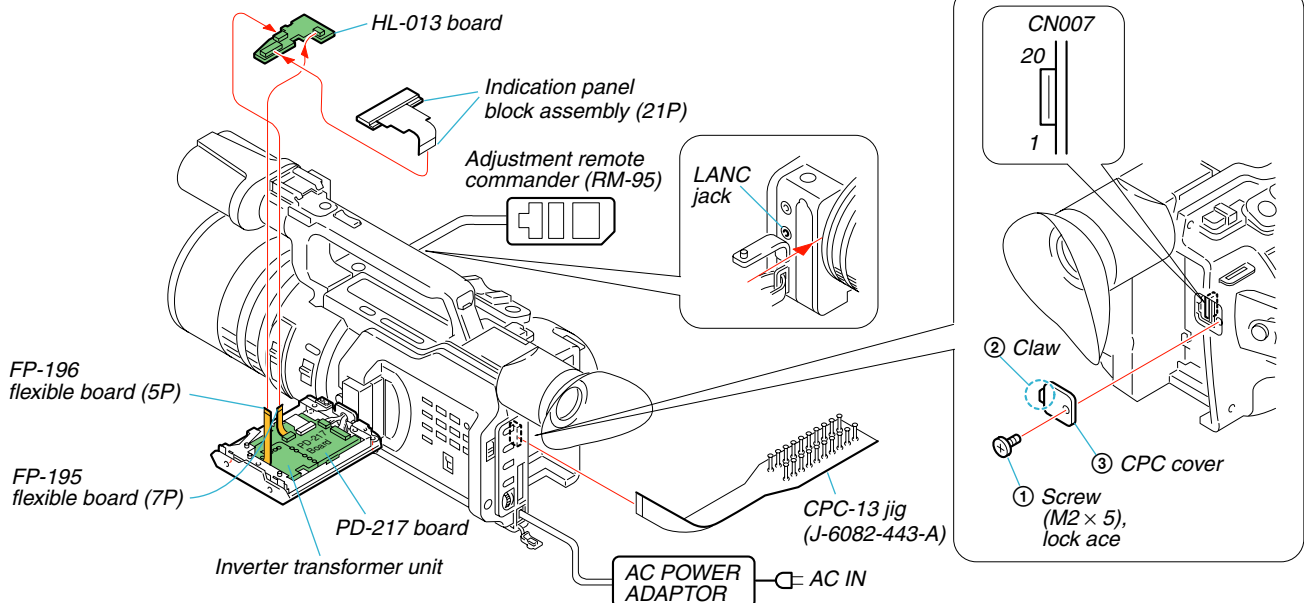
NOTE: Follow the disassembly procedure in the numerical order given.

2-1. LCD SECTION (HL-013, PD-217 BOARDS, INVERTER TRANSFORMER UNIT)

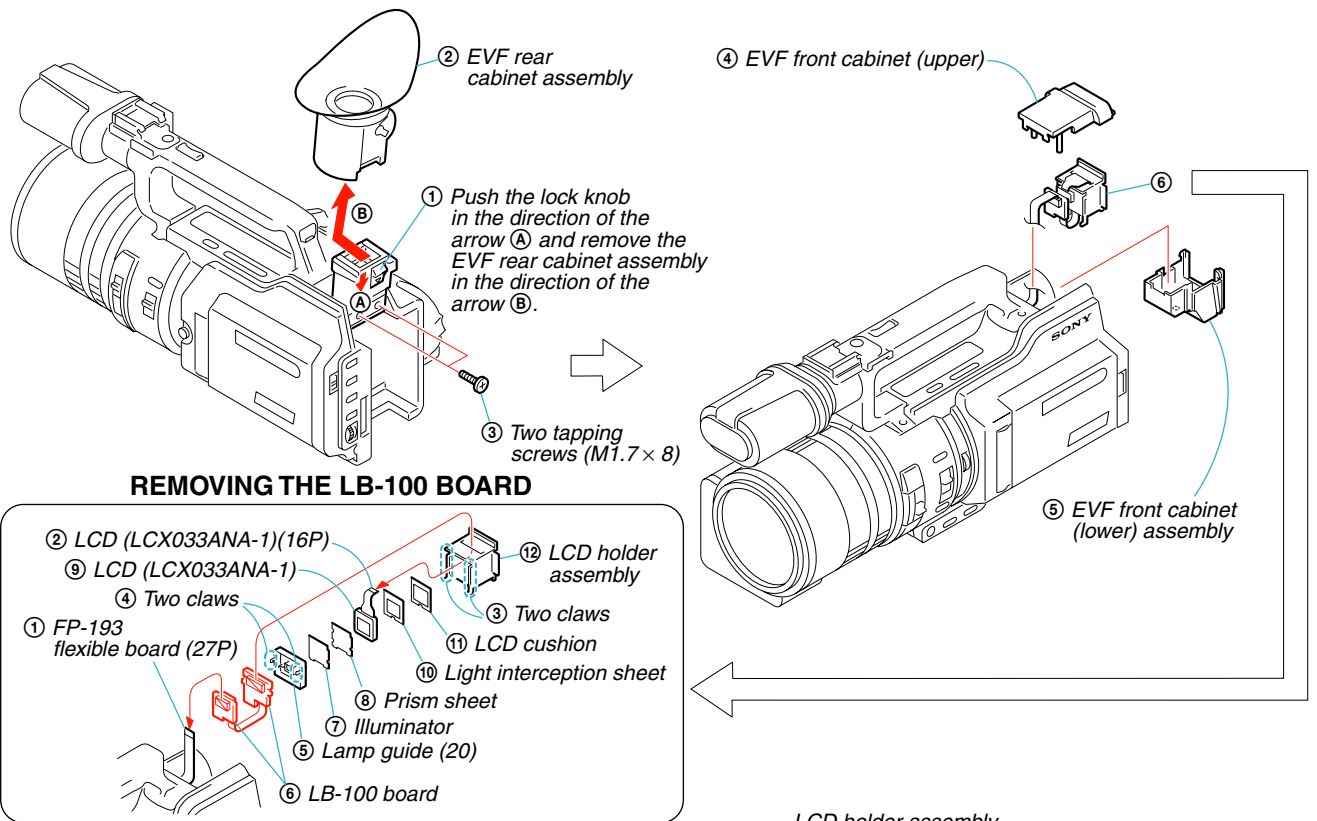
REMOVING THE PD-217 BOARD, INVERTER TRANSFORMER UNIT



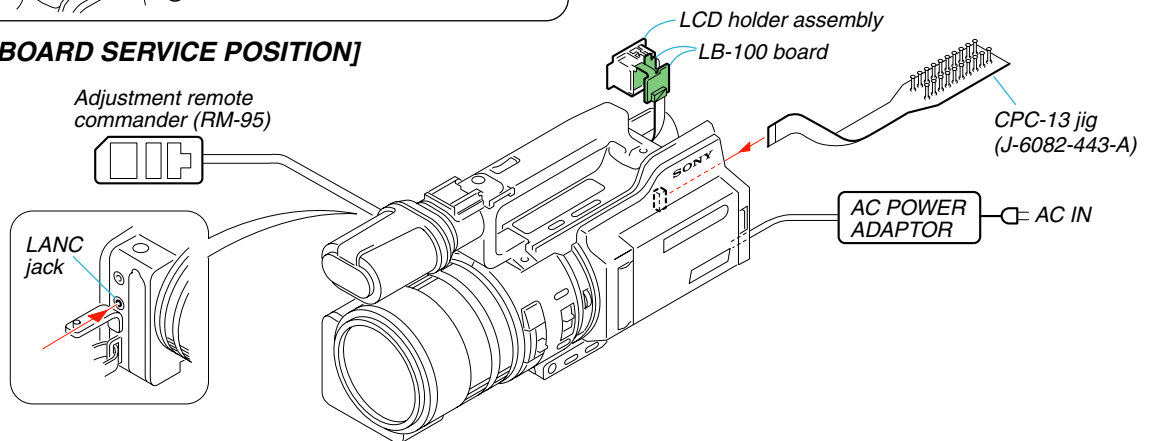
[HL-013, PD-217 BOARDS SERVICE POSITION]



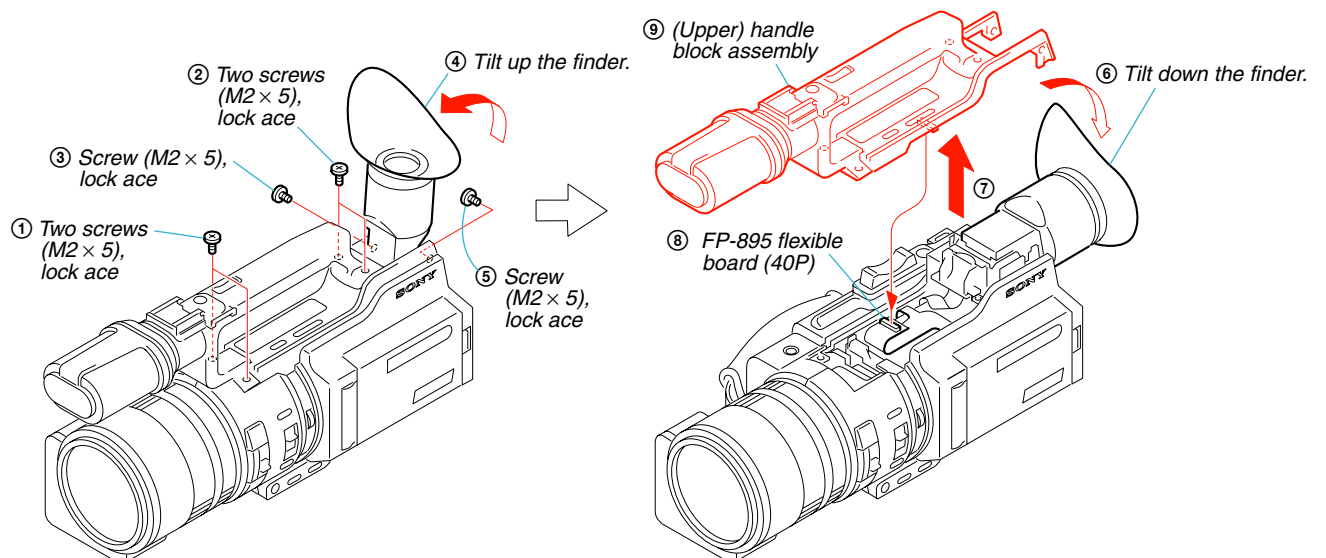
2-2. EVF SECTION (LB-100 BOARD)



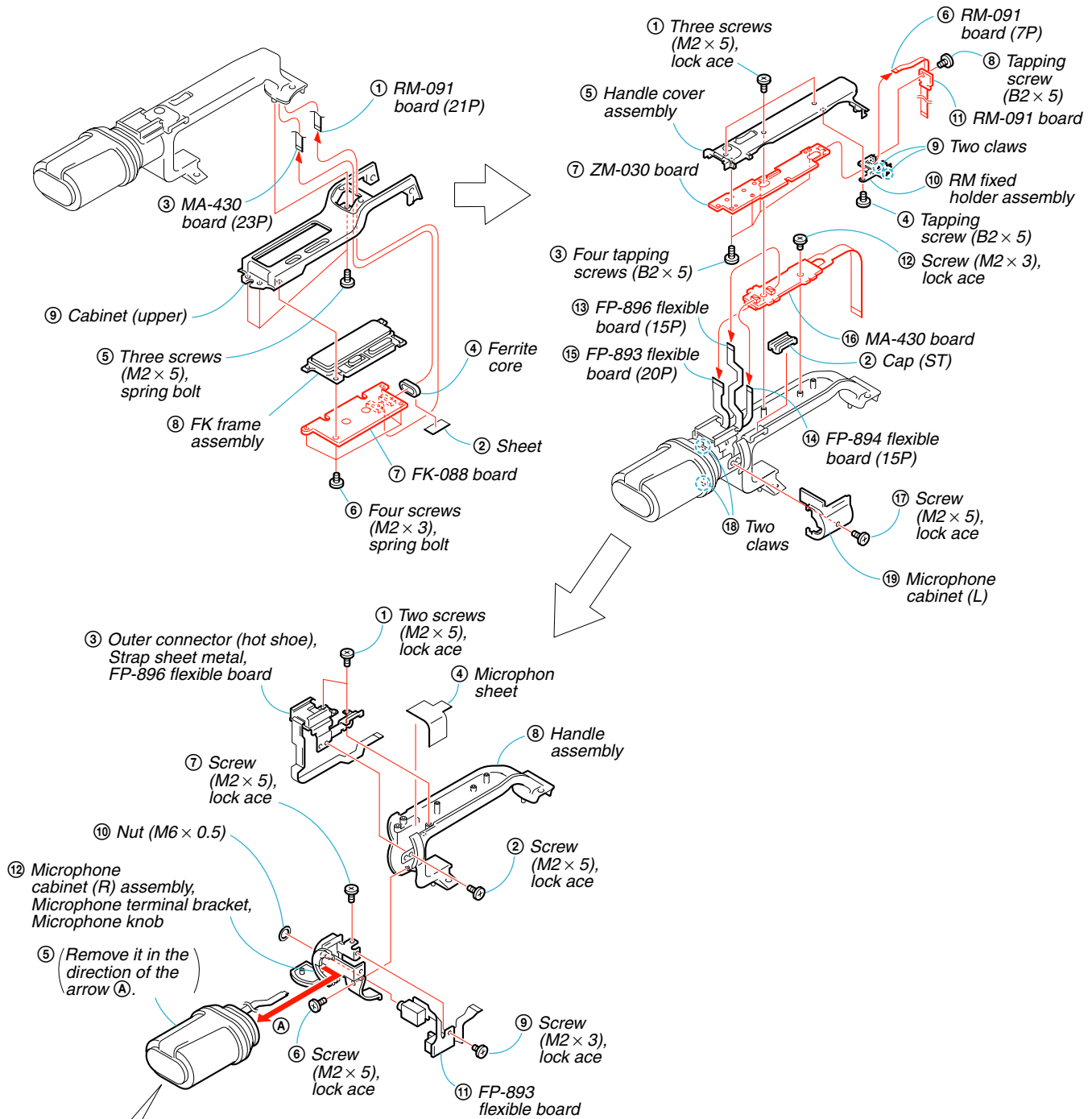
[LB-100 BOARD SERVICE POSITION]



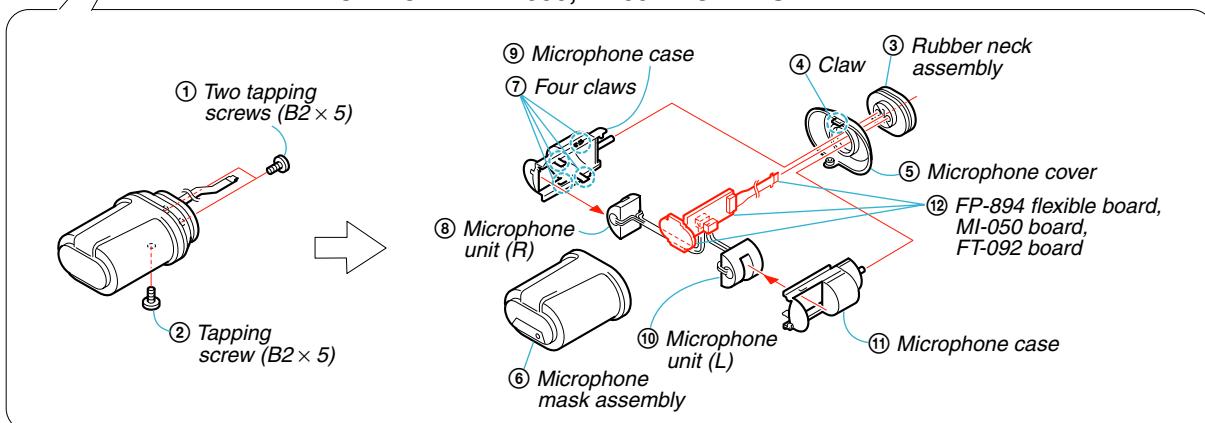
2-3. (UPPER) HANDLE BLOCK ASSEMBLY



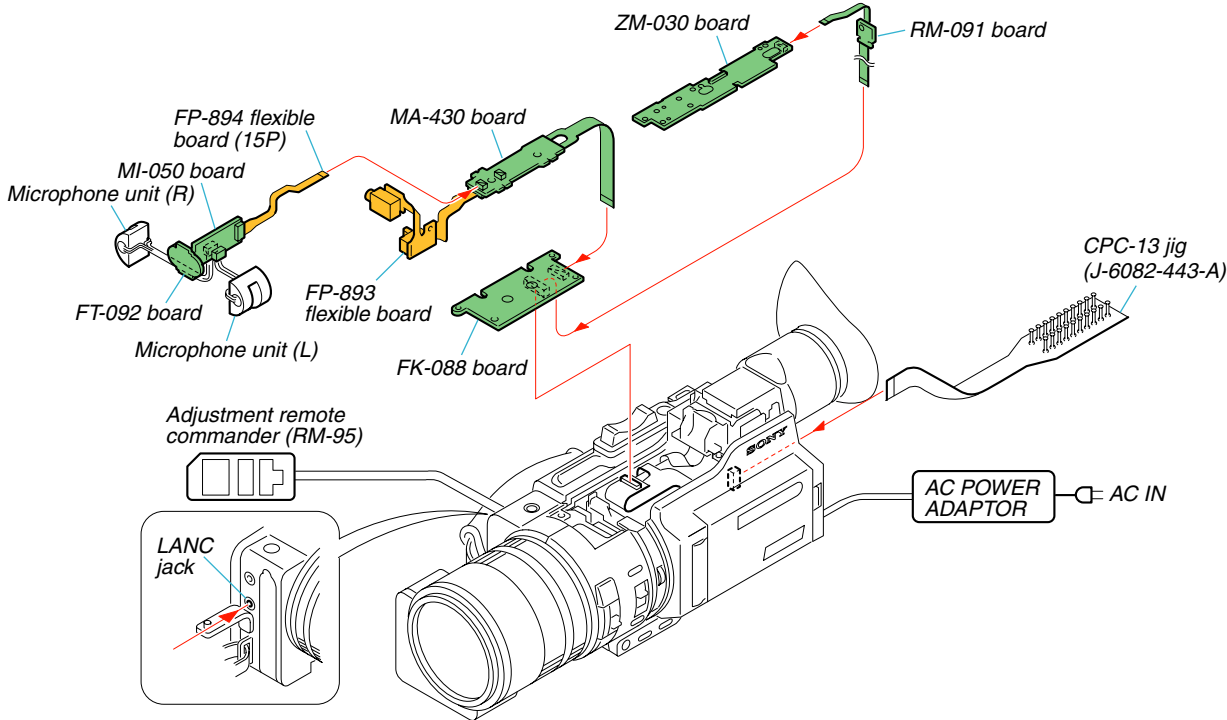
2-4. FK-088, MA-430, MI-050, FT-092, RM-091, ZM-030 BOARDS



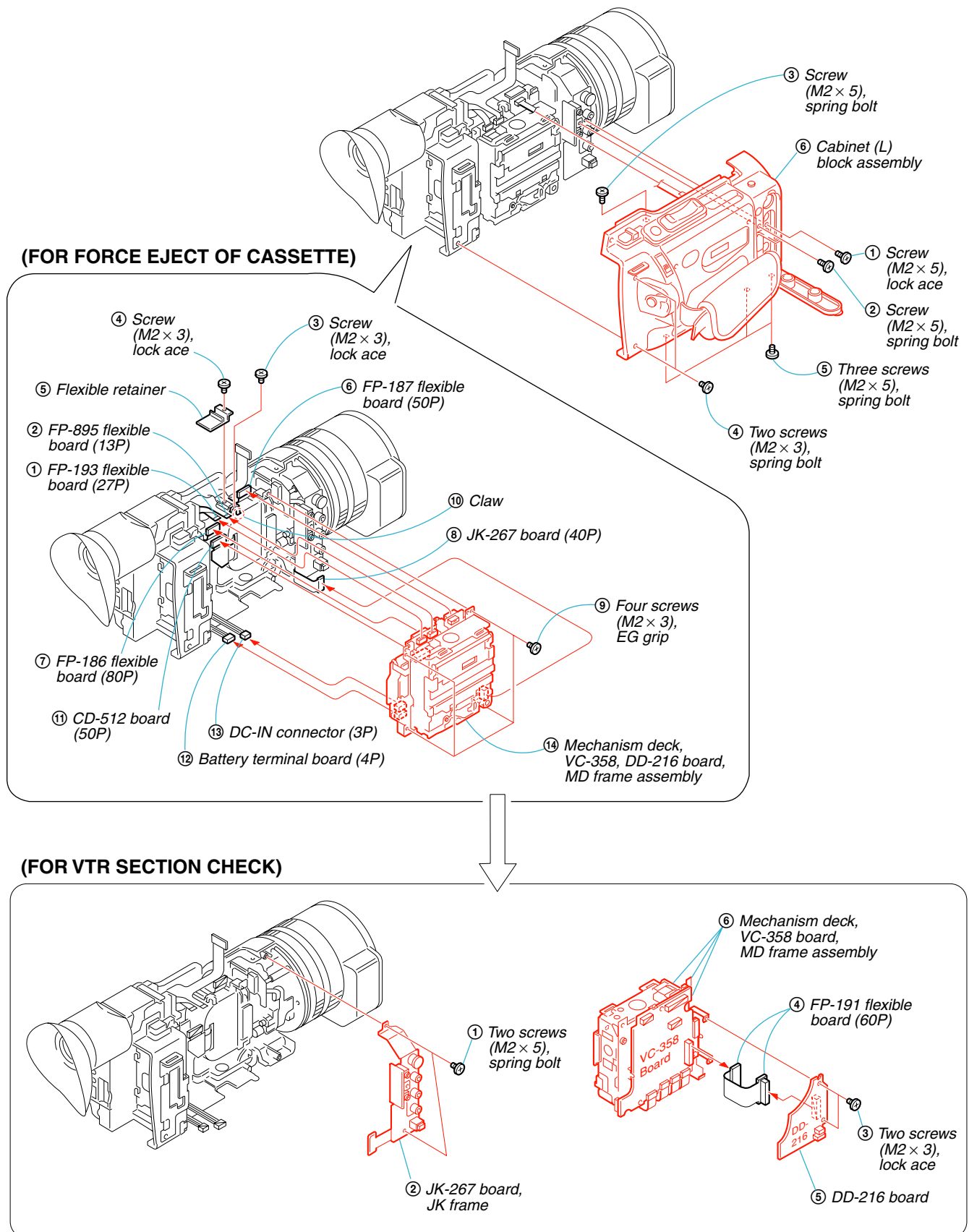
REMOVING THE MI-050, FT-092 BOARDS



[FK-088, MA-430, MI-050, FT-092, RM-091 BOARDS SERVICE POSITION]

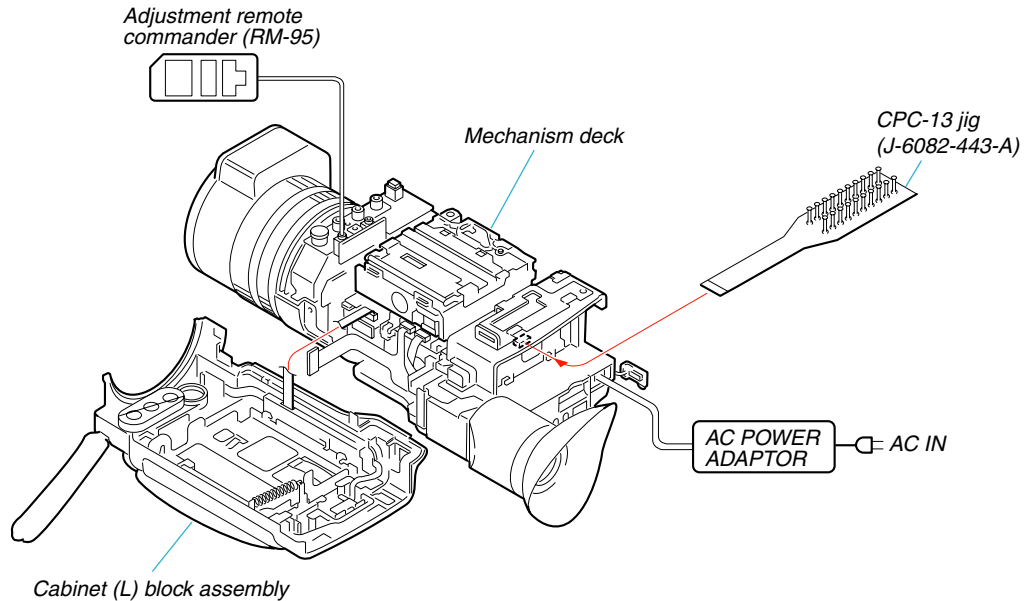


**2-5. CABINET (L) BLOCK ASSEMBLY, MECHANISM DECK, VC-358, DD-216, JK-267 BOARDS
(FOR FORCE EJECT OF CASSETTE AND VTR SECTION CHECK)**



[MECHANISM DECK SERVICE POSITION-1]

Note: Use the parts only which can be removed easily from outside of the mechanism deck.

**[SERVICE POSITION TO CHECK THE VTR SECTION]****Connection to Check the VTR Section**

To check the VTR Section, set the VTR to the "forced VTR power ON" mode.

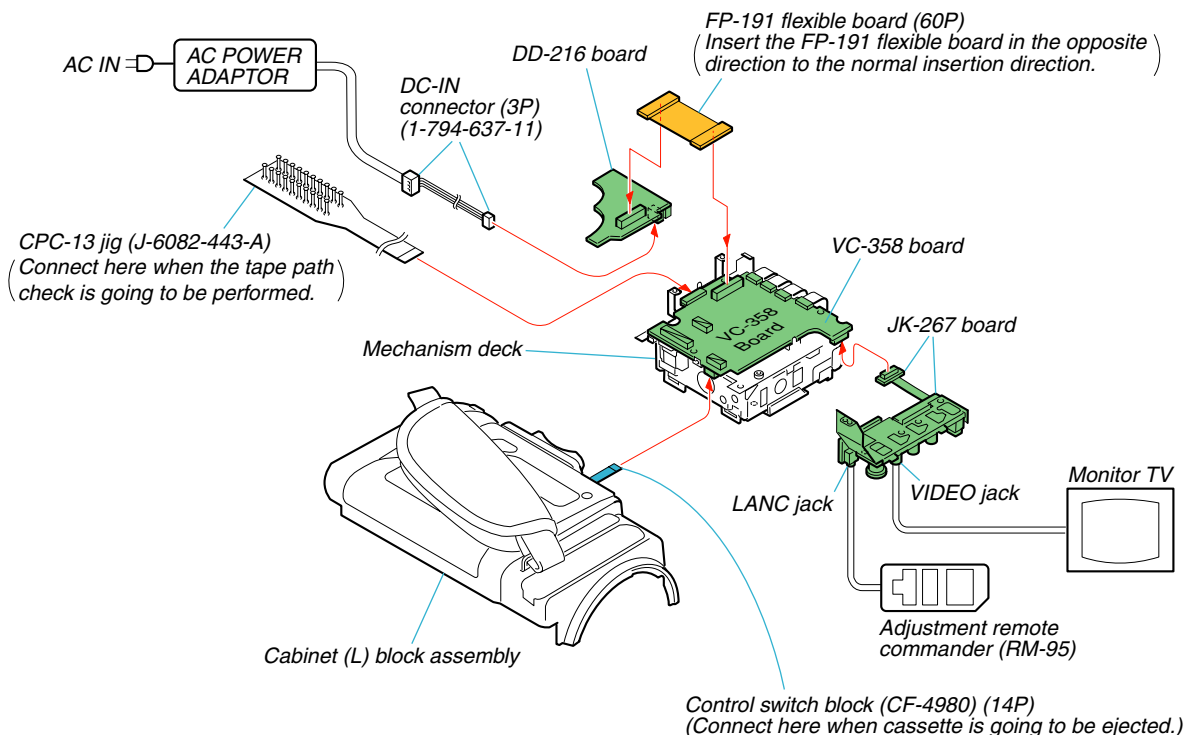
Operate the VTR functions using the adjustment remote commander (with the HOLD switch set in the OFF position) (However, connect the cabinet (L) assembly when cassette is going to be ejected only.)

Setting the "Forced VTR Power ON" mode

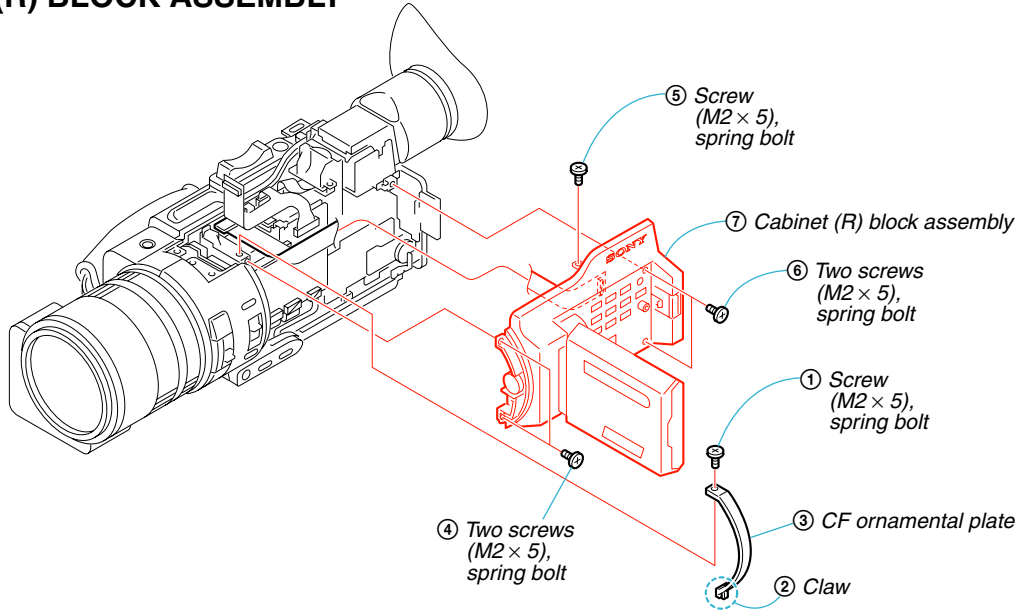
- 1) Select page: 0, address: 01, and set data: 01.
- 2) Select page: D, address: 10, set data: 02, and press the PAUSE button of the adjustment remote commander.

Exiting the "Forced VTR Power ON" mode

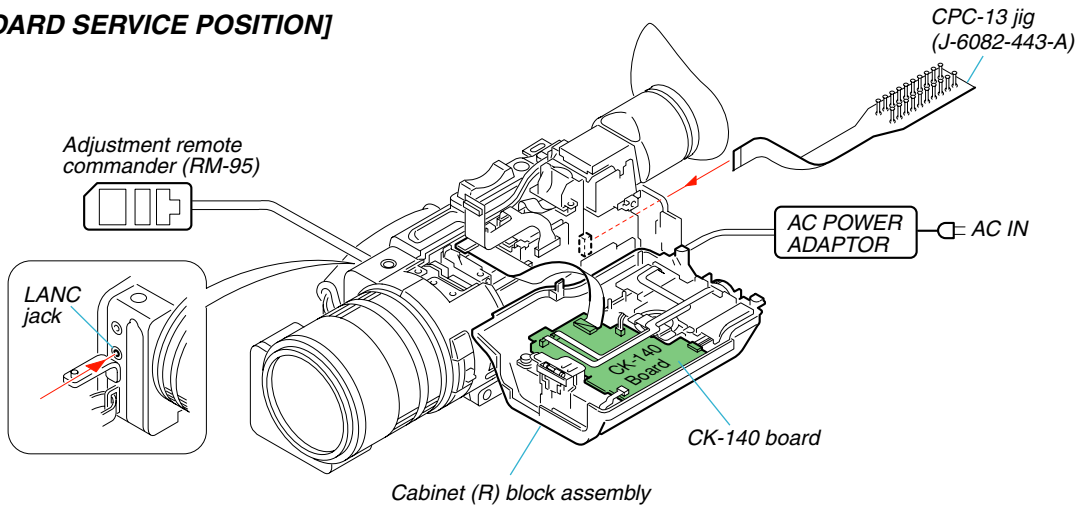
- 1) Select page: 0, address: 01, and set data: 01.
- 2) Select page: D, address: 10, set data: 00, and press the PAUSE button of the adjustment remote commander.
- 3) Select page: 0, address: 01, and set data: 00.



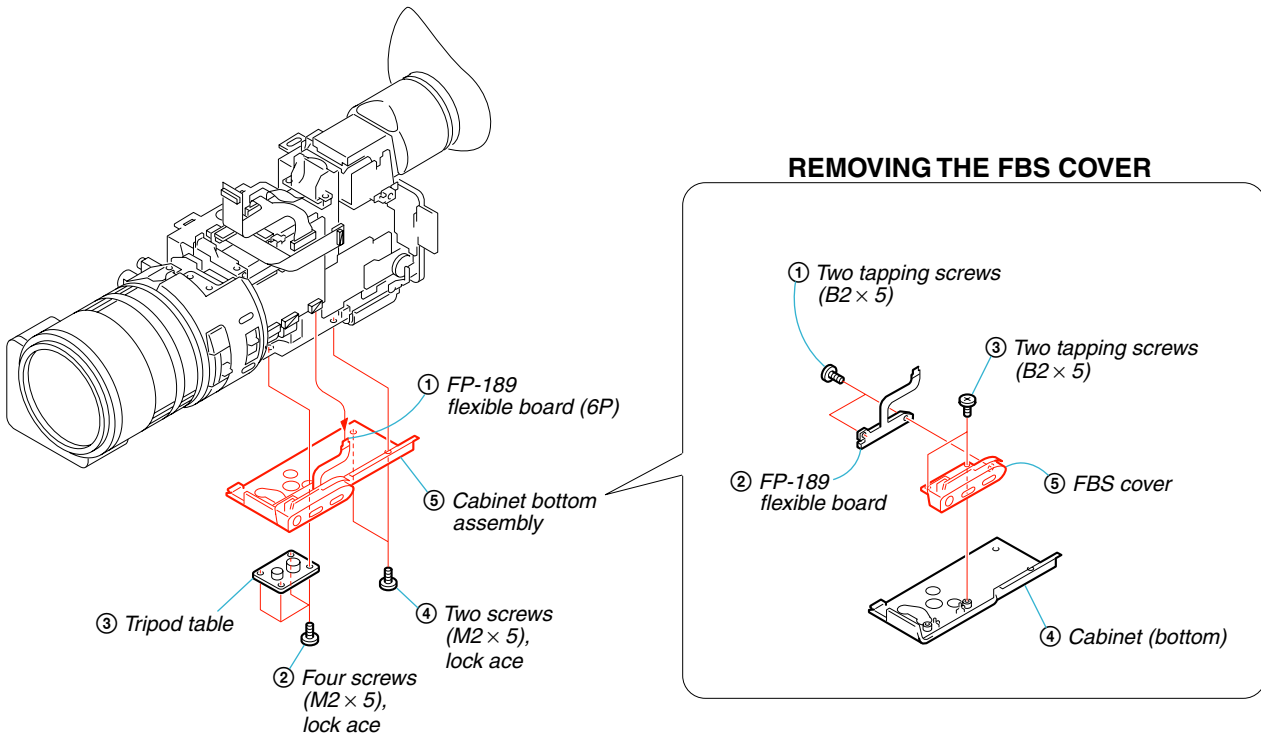
2-6. CABINET (R) BLOCK ASSEMBLY



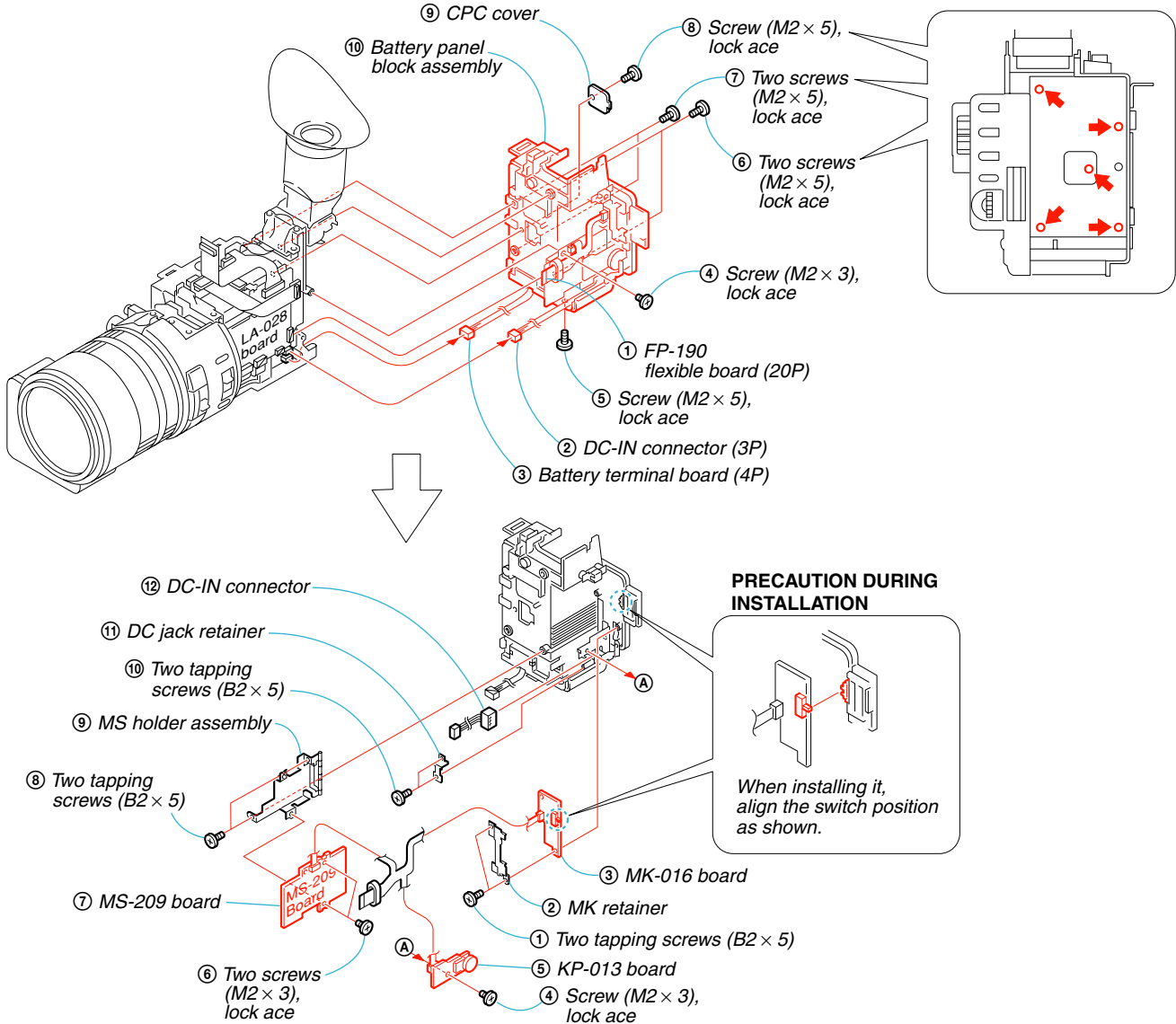
[CK-140 BOARD SERVICE POSITION]



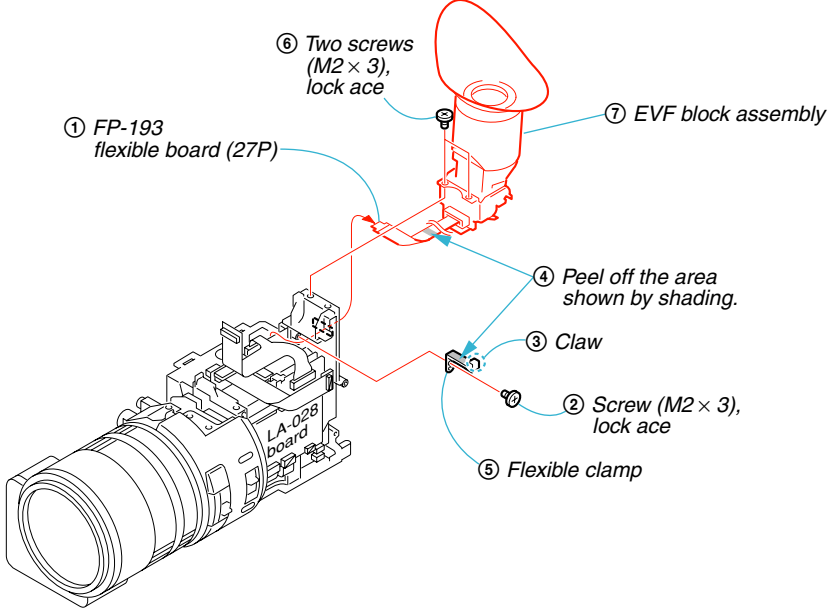
2-7. CABINET BOTTOM ASSEMBLY



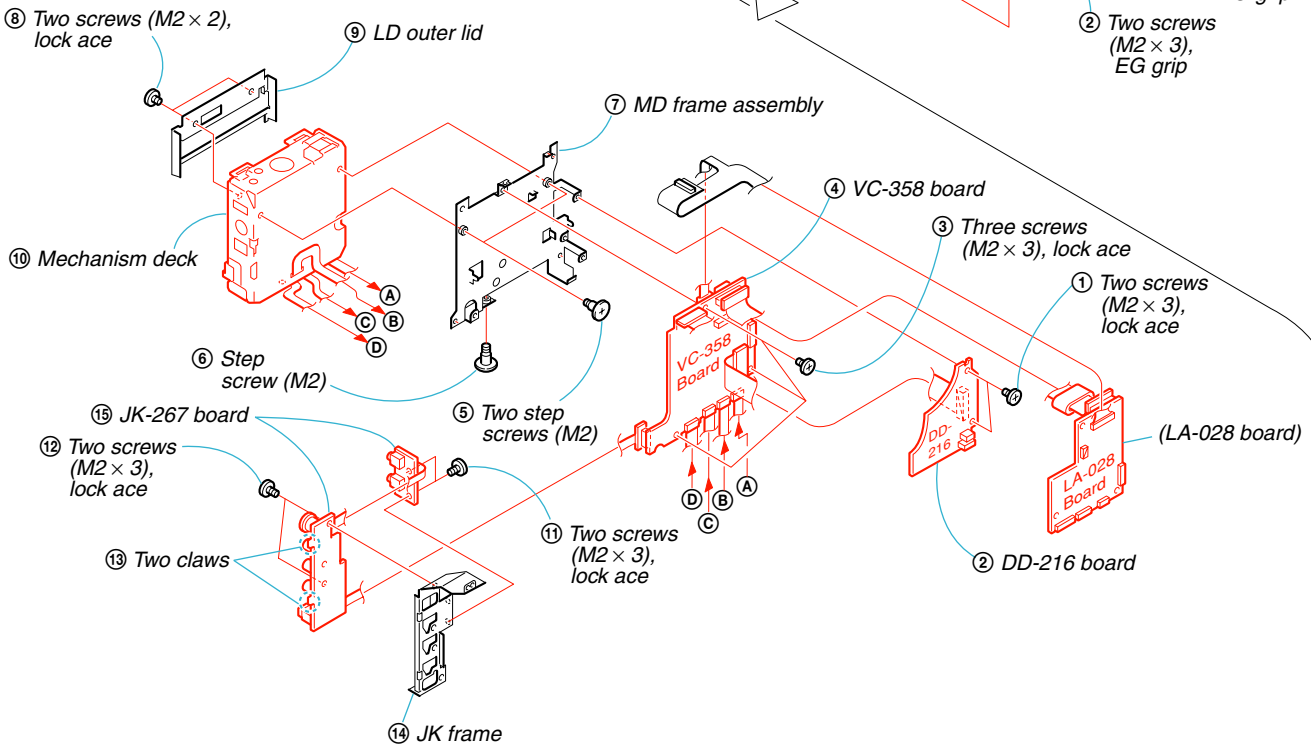
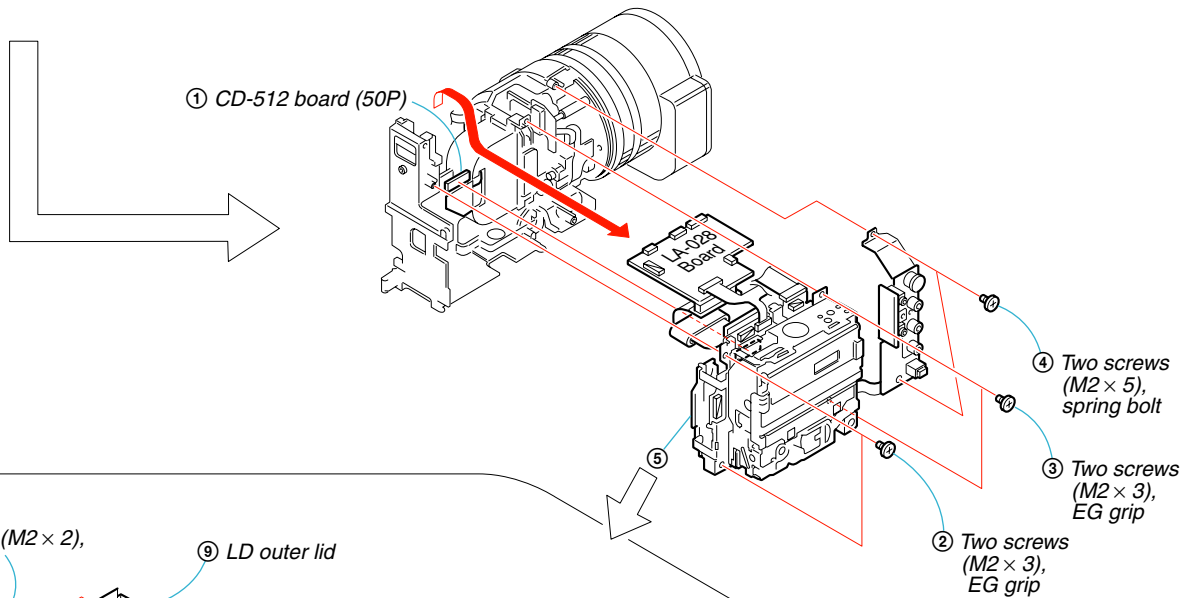
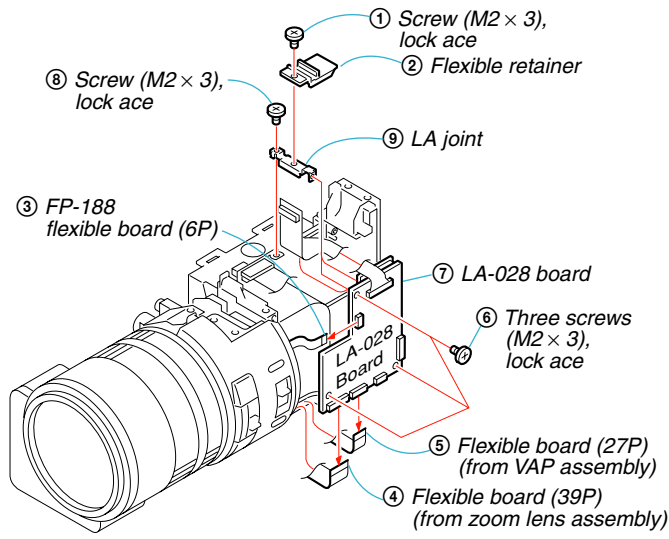
2-8. BATTERY PANEL BLOCK ASSEMBLY (MK-016, KP-013, MS-209 BOARDS)



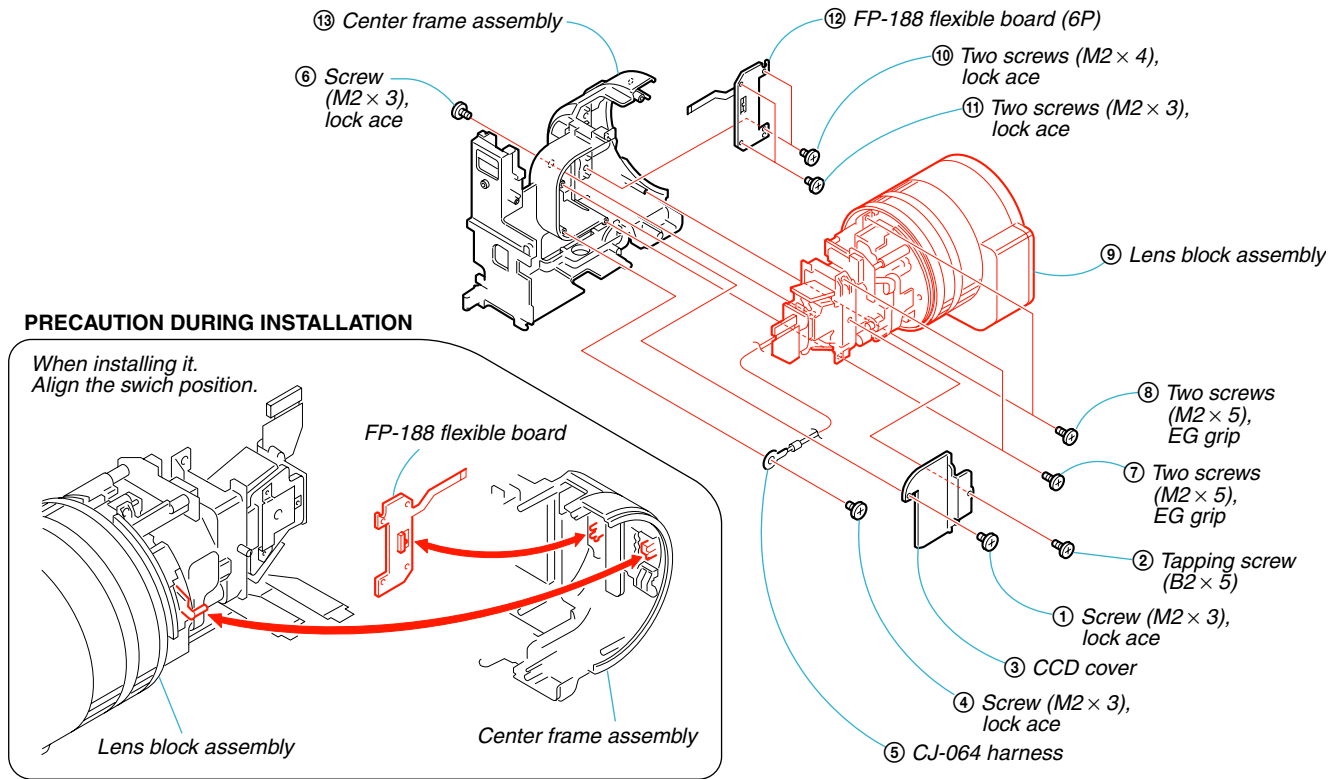
2-9. EVF BLOCK ASSEMBLY



2-10.LA-028, DD-216, VC-358, JK-267 BOARDS, MECHANISM DECK



2-11.LENS BLOCK ASSEMBLY, CENTER FRAME ASSEMBLY



[SERVICE POSITION TO CHECK THE CAMERA SECTION]

Connection to Check the CAMERA Section

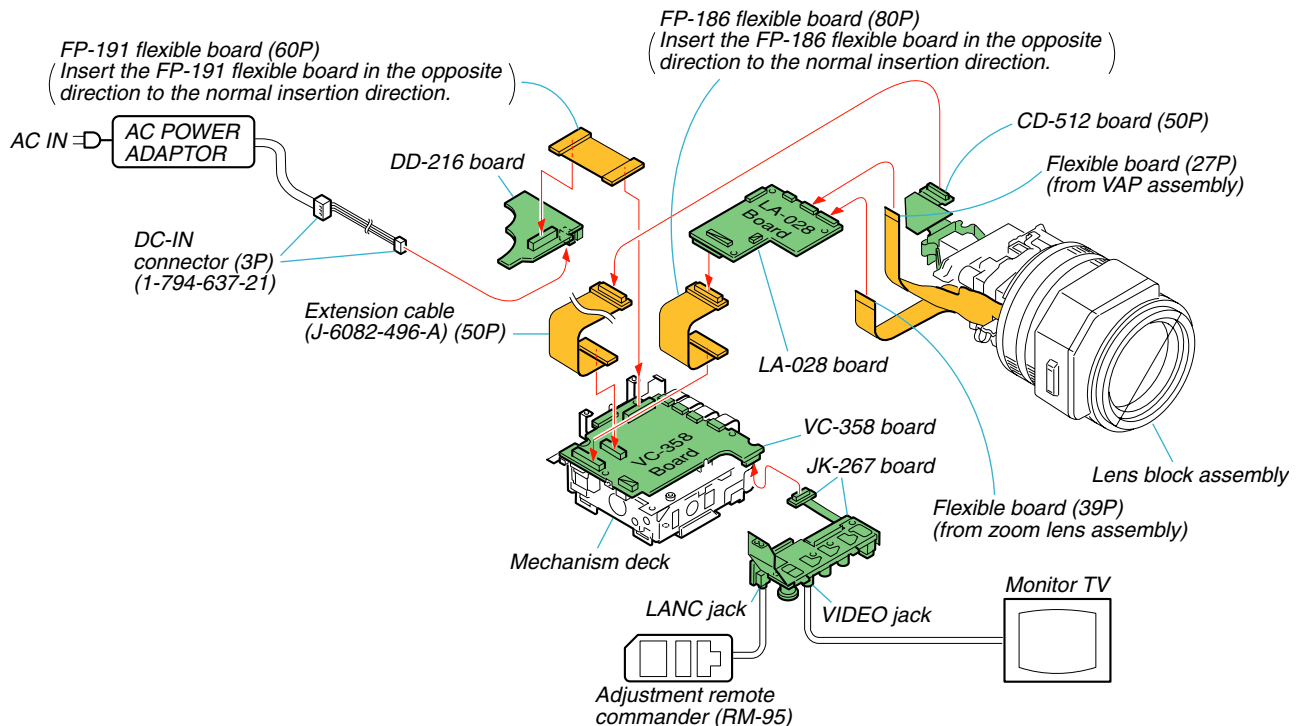
To check the CAMERA Section, set the CAMERA to the "forced CAMERA power ON" mode.

Setting the "Forced CAMERA Power ON" mode

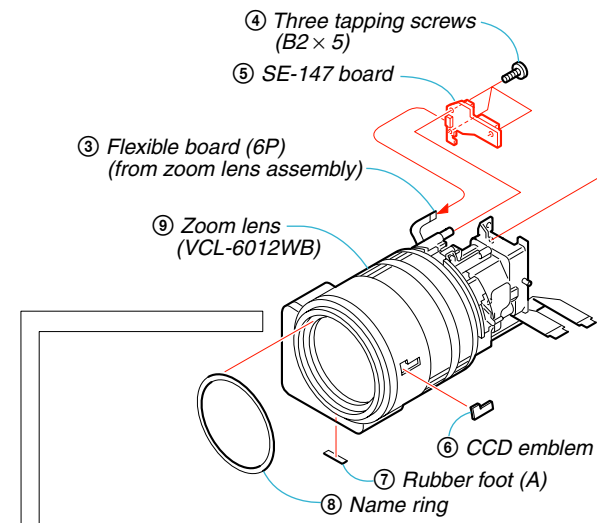
- 1) Select page: 0, address: 01, and set data: 01.
- 2) Select page: D, address: 10, set data: 01, and press the PAUSE button of the adjustment remote commander.

Exiting the "Forced CAMERA Power ON" mode

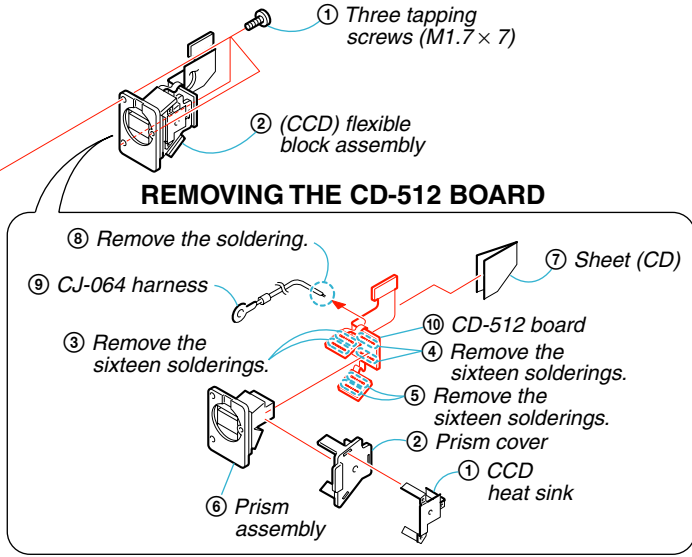
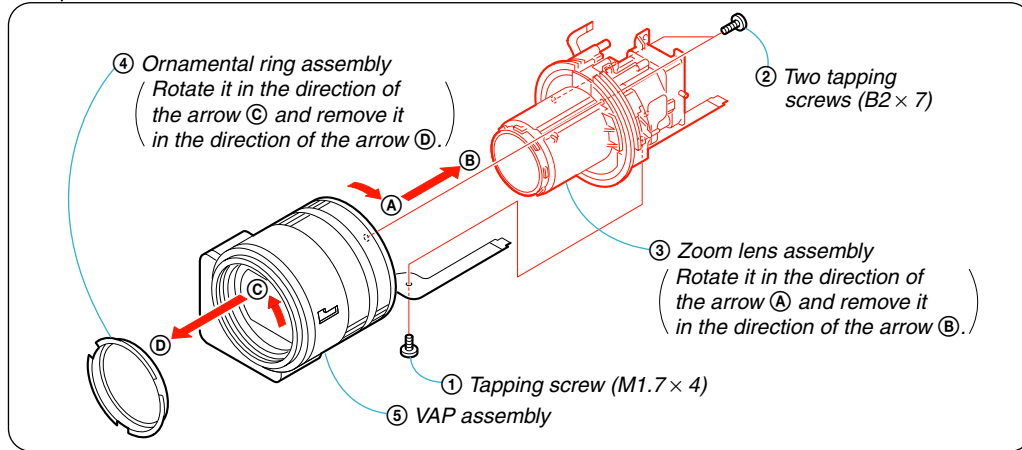
- 1) Select page: 0, address: 01, and set data: 01.
- 2) Select page: D, address: 10, set data: 00, and press the PAUSE button of the adjustment remote commander.
- 3) Select page: 0, address: 01, and set data: 00.



2-12. CD-512, SE-147 BOARDS, ZOOM LENS ASSEMBLY

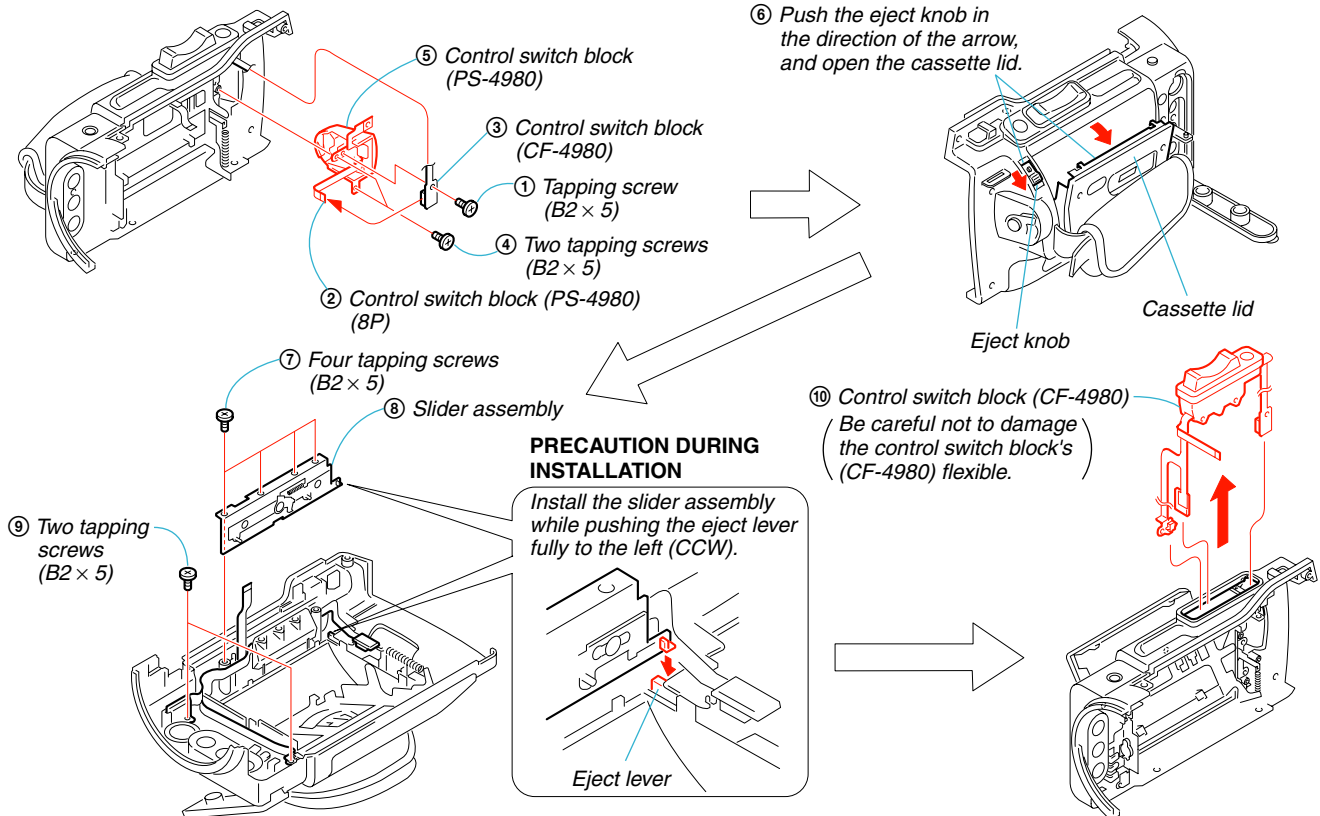


REMOVING THE ZOOM LENS ASSEMBLY

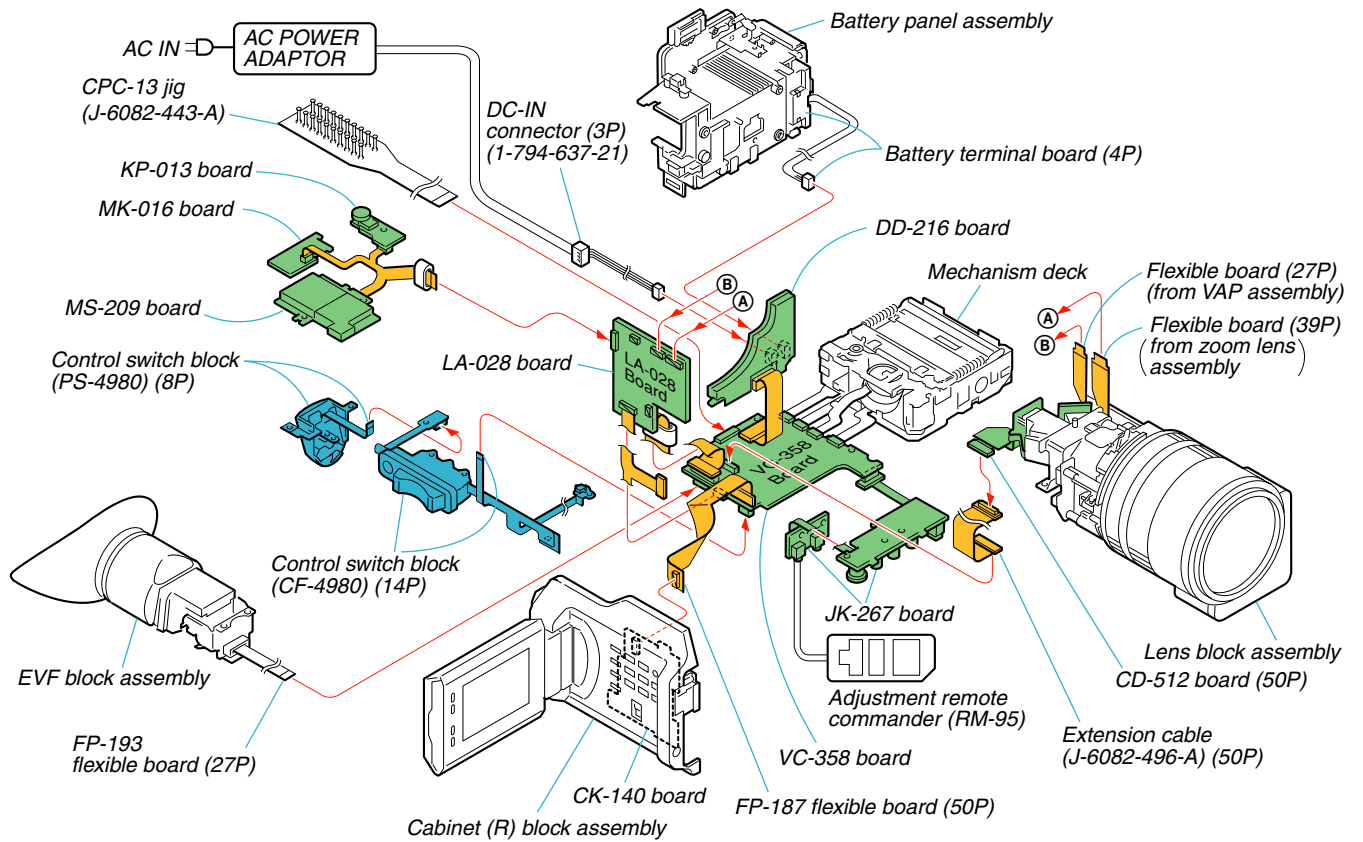


REMOVING THE CD-512 BOARD

2-13. CONTROL SWITCH BLOCK (PS-4980), CONTROL SWITCH BLOCK (CF-4980)



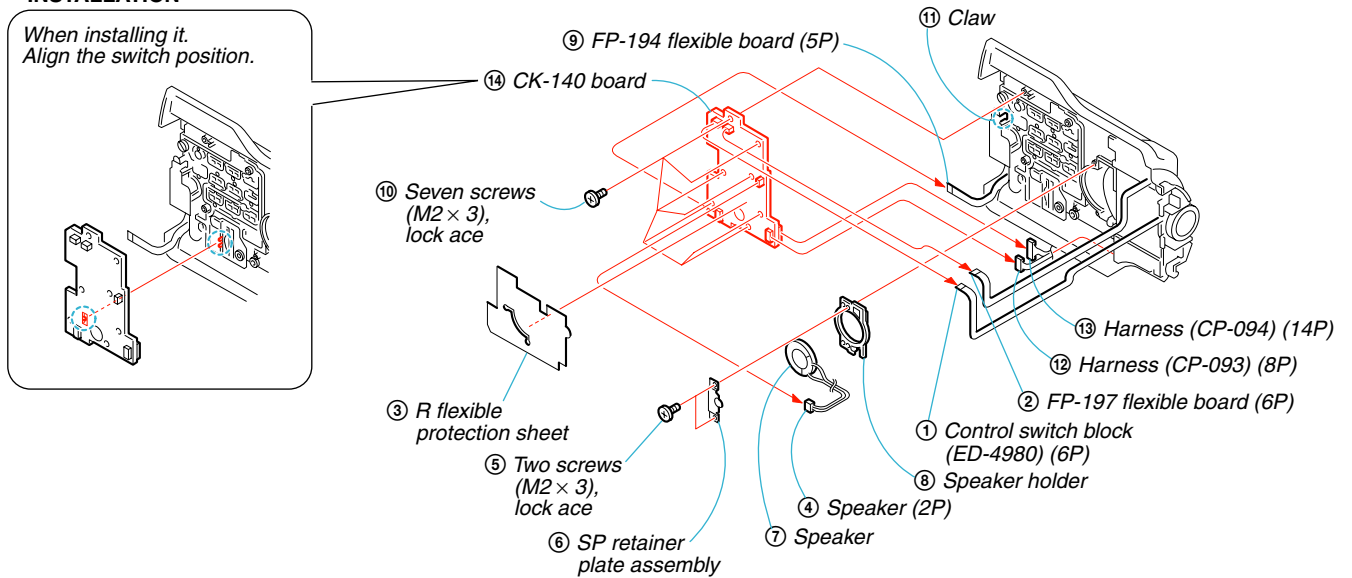
[CONNECTION DIAGRAM FOR SERVICE POSITION (Mainly for voltage measurement and check)]
(CK-140, VC-358, JK-267, CD-512, DD-216, LA-028, KP-013, MK-016, MS-209 BOARDS,)
MECHANISM DECK-2



2-14. CK-140 BOARD

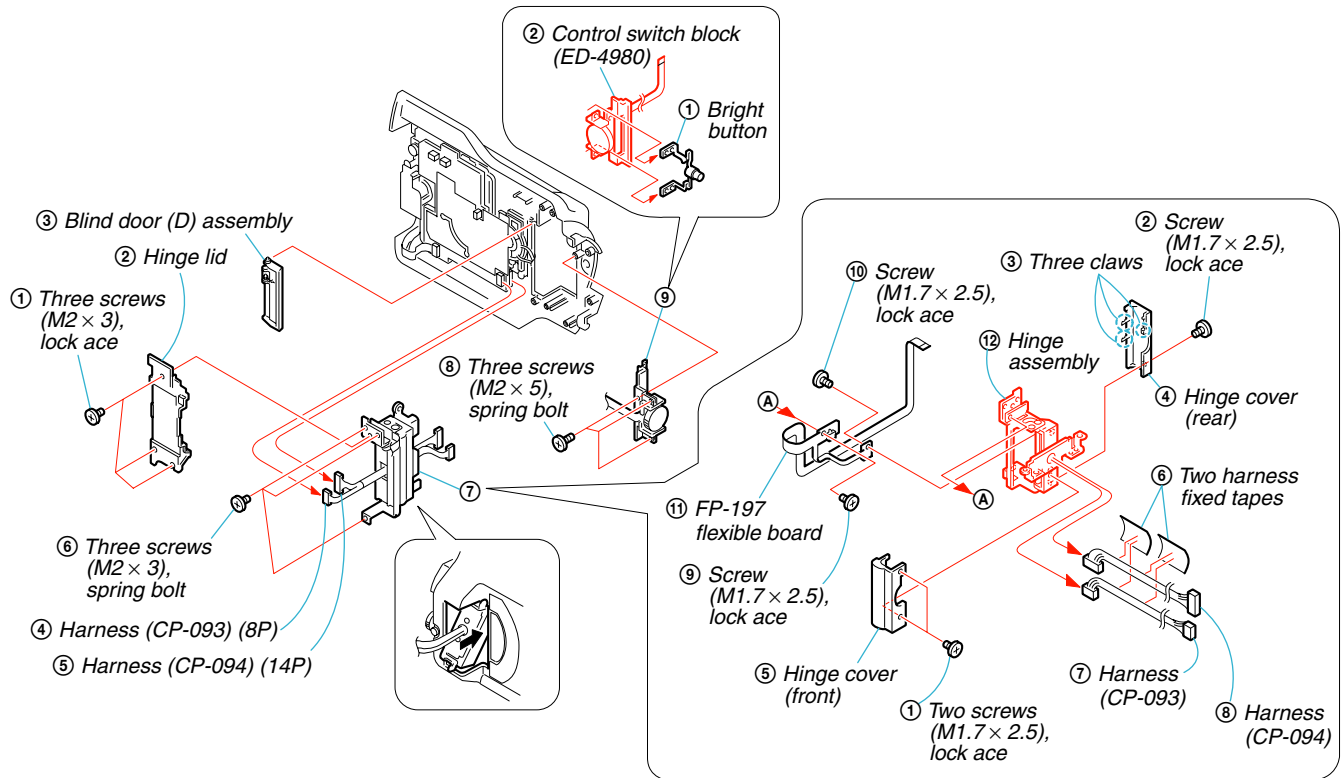
PRECAUTION DURING INSTALLATION

When installing it.
Align the switch position.



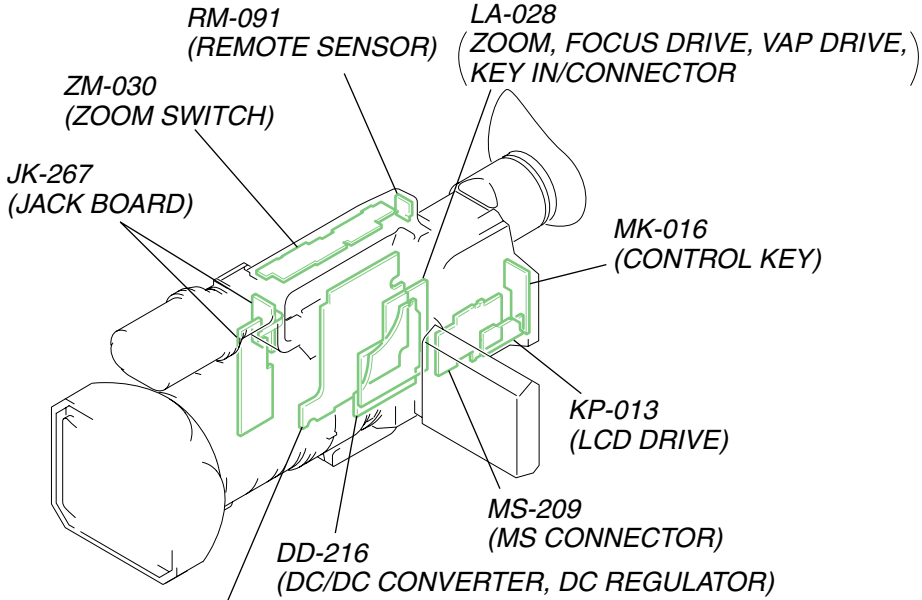
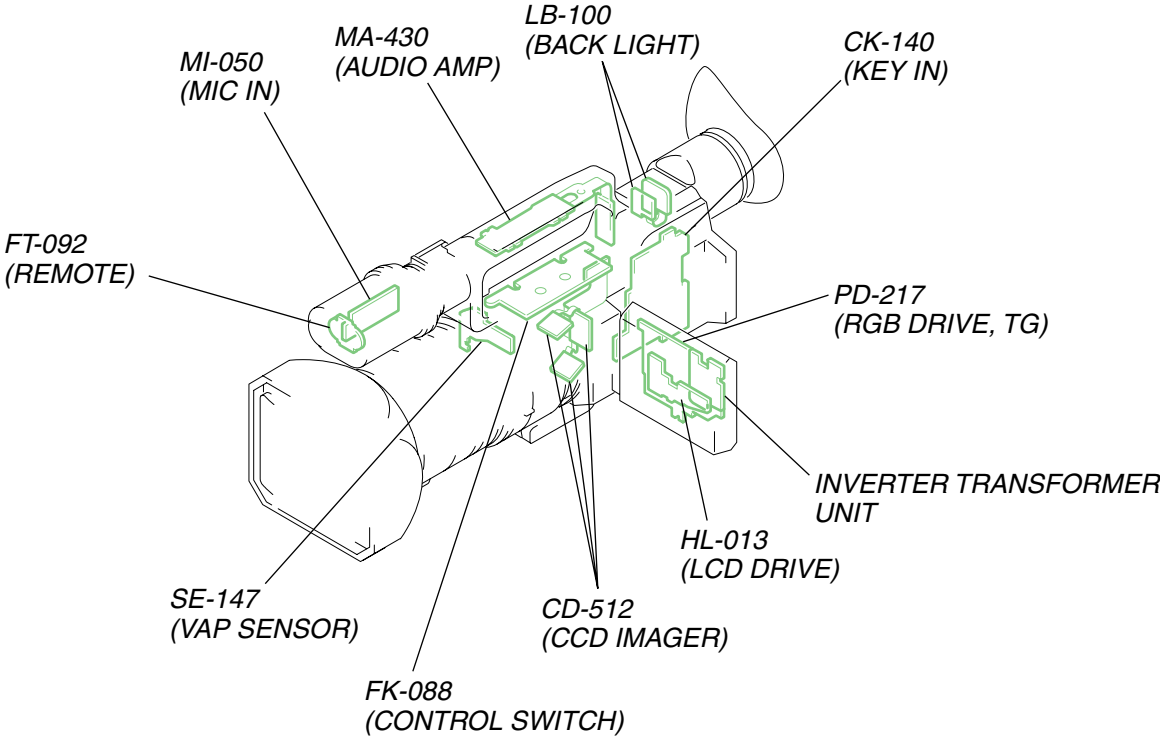
2-15. CONTROL SWITCH BLOCK (ED-4980), HINGE ASSEMBLY

Start the removal work after the LCD section has been removed referring section 2-1.



2-16. CIRCUIT BOARDS LOCATION

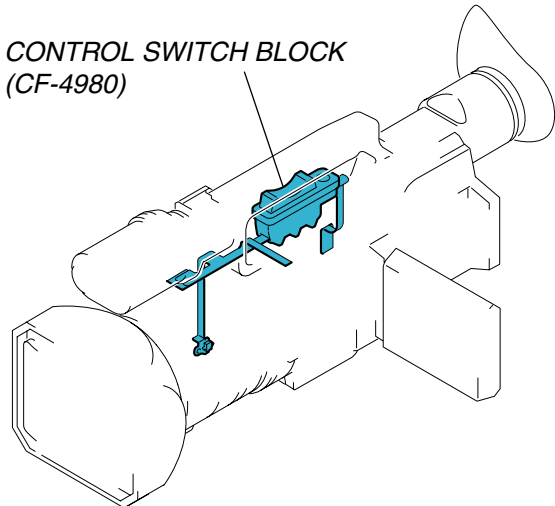
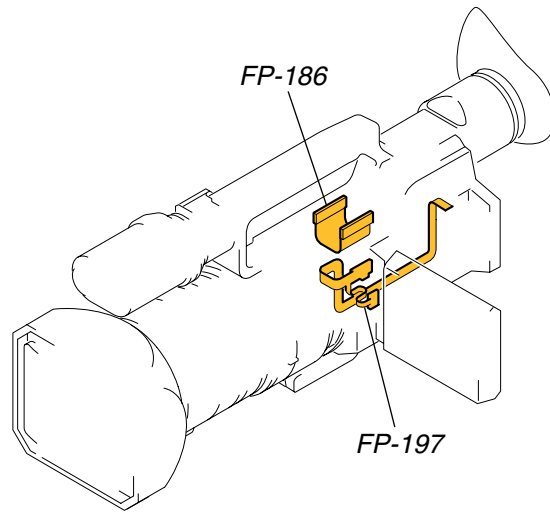
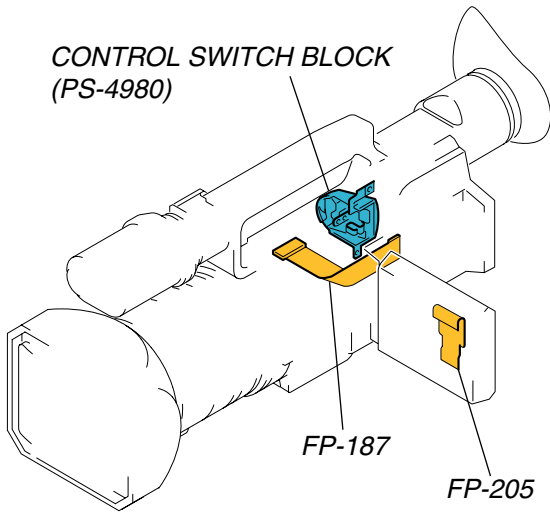
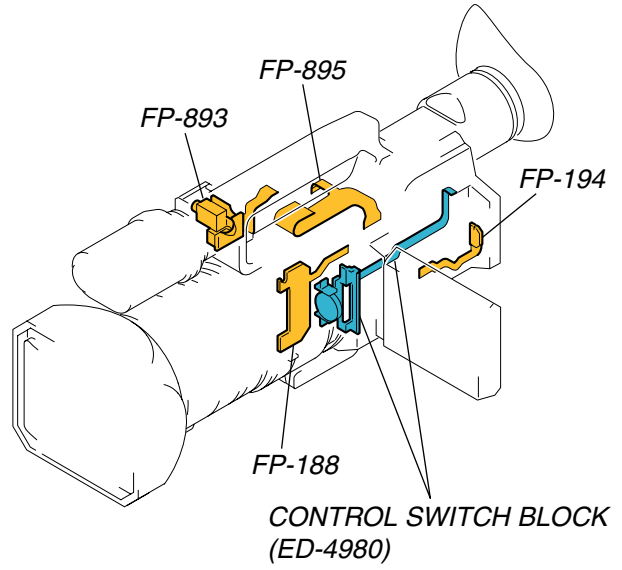
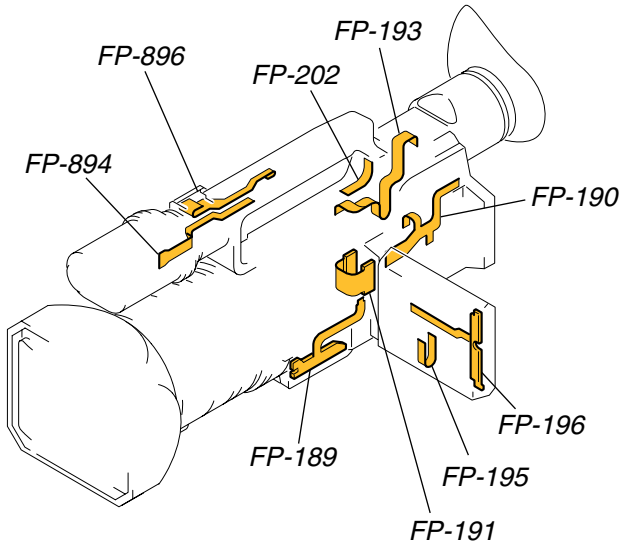
The circuit boards contained in the zoom lens are not shown.



VC-358
 (S/H AGC, TG, CAMERA SIGNAL PROCESS, MS I/F, RS232C I/F, STILL CONTROL, MS DRIVE, DV SIGNAL PROCESS, DV INTERFACE, REC/PB AMP, LINE IN/OUT, LINE A/D, RGB DRIVE/TG, CAMERA CONTROL, MECHANISM CONTROL, DRUM/CAPSTAN MOTOR DRIVE, HI CONTROL, AU LINE A/D, D/A, LINE AMP, CONNECTOR)

2-17. FLEXIBLE BOARDS LOCATION

The flexible boards contained in the mechanism deck and that in the zoom lens are not shown.



3. BLOCK DIAGRAMS

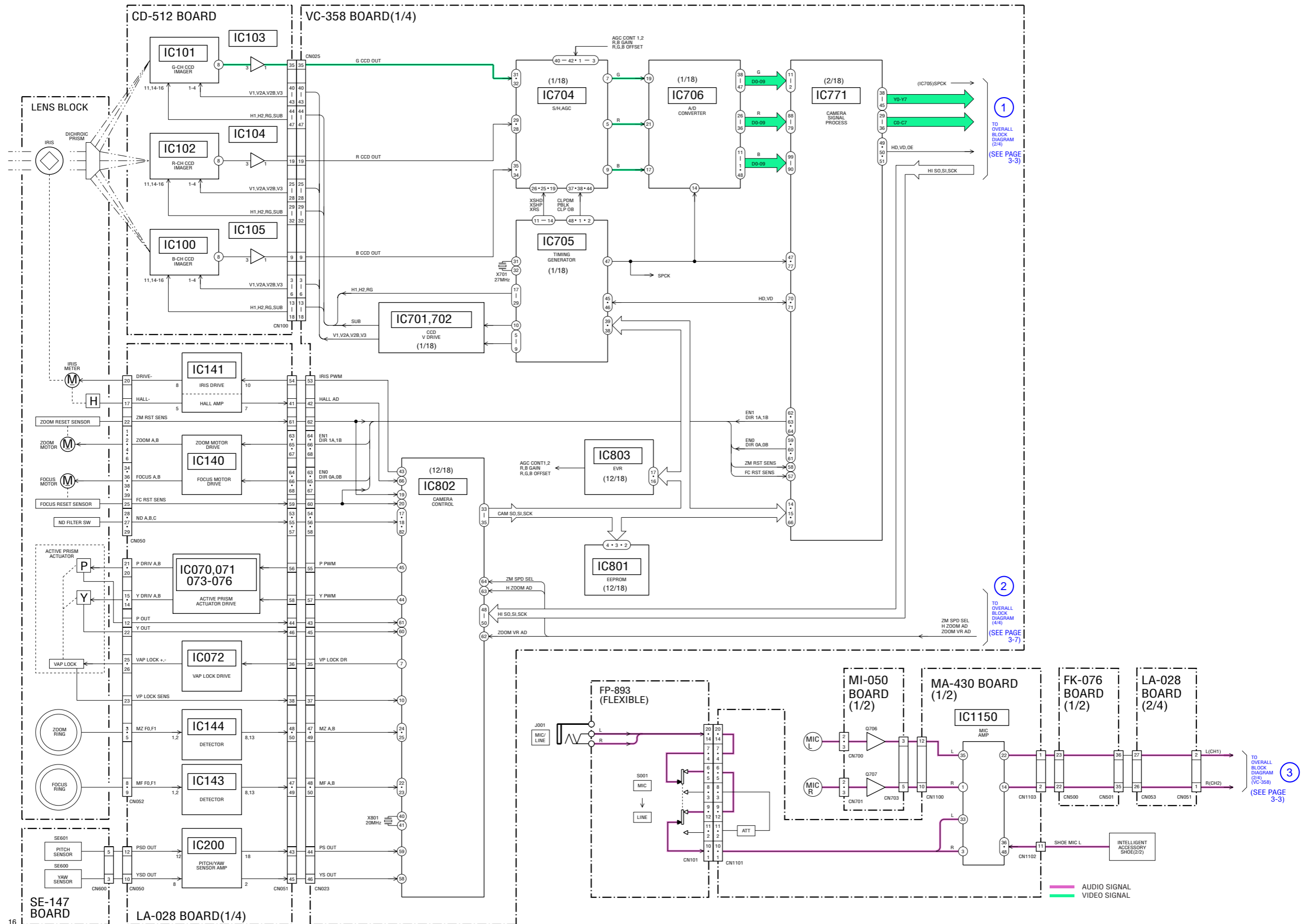
Link

OVERALL BLOCK DIAGRAM (1/4)	POWER BLOCK DIAGRAM (1/3)
OVERALL BLOCK DIAGRAM (2/4)	POWER BLOCK DIAGRAM (2/3)
OVERALL BLOCK DIAGRAM (3/4)	POWER BLOCK DIAGRAM (3/3)
OVERALL BLOCK DIAGRAM (4/4)	

SECTION 3
BLOCK DIAGRAMS

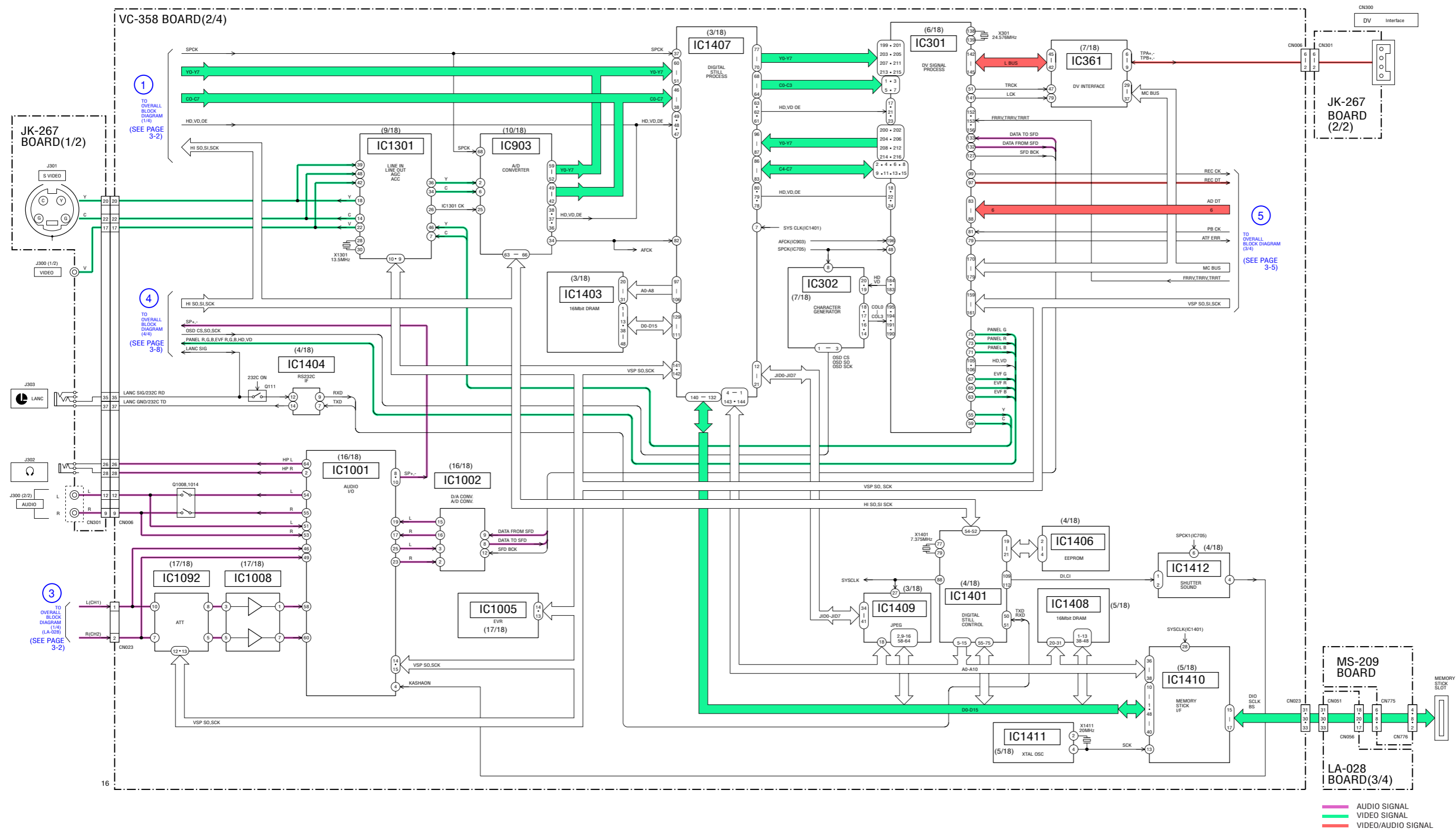
3. BLOCK DIAGRAMS

3-1. OVERALL BLOCK DIAGRAM (1/4) () : Number in parenthesis () indicates the division number of schematic diagram where the component is located.



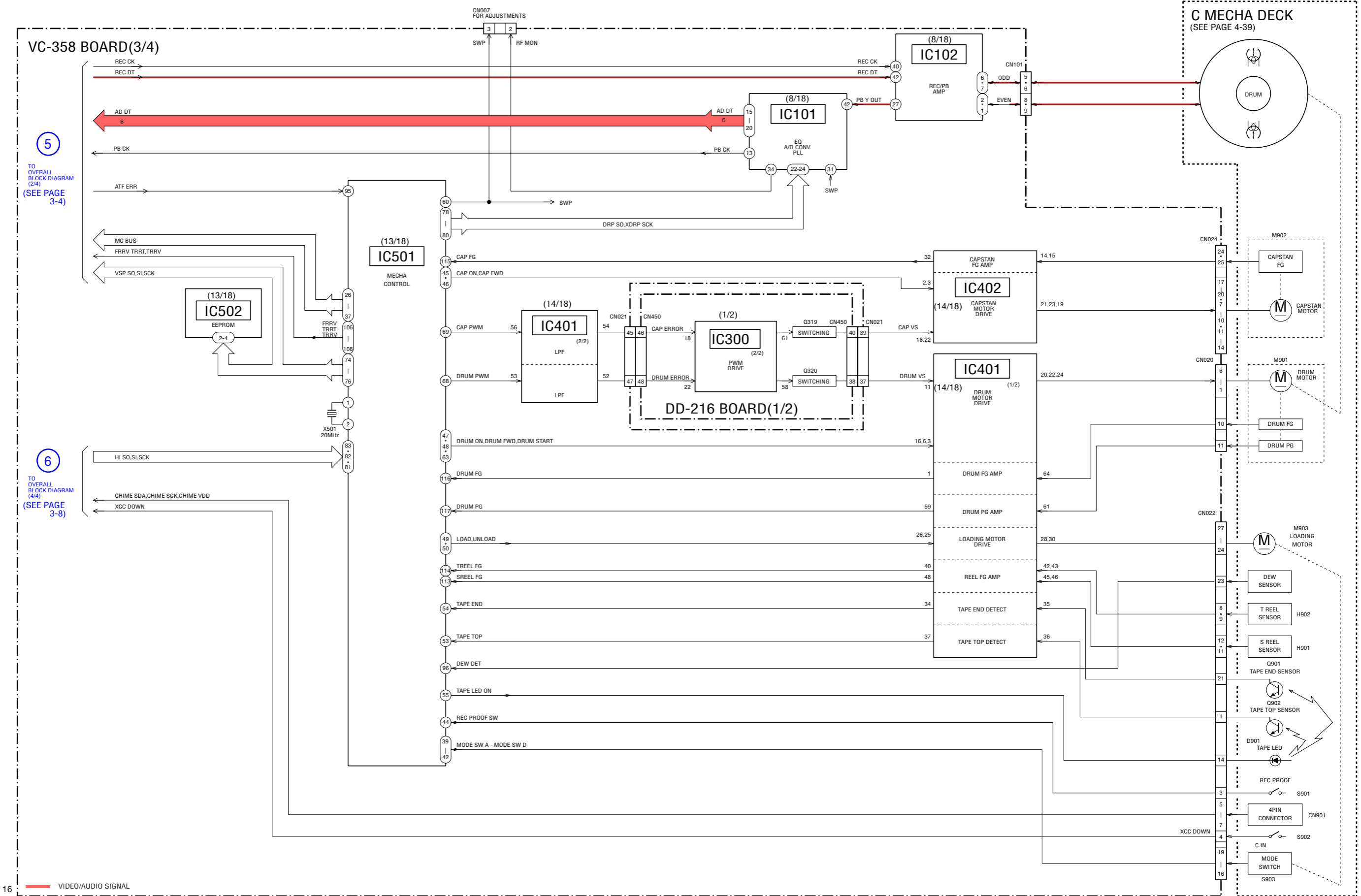
3. BLOCK DIAGRAMS

3-2. OVERALL BLOCK DIAGRAM (2/4) () : Number in parenthesis () indicates the division number of schematic diagram where the component is located.



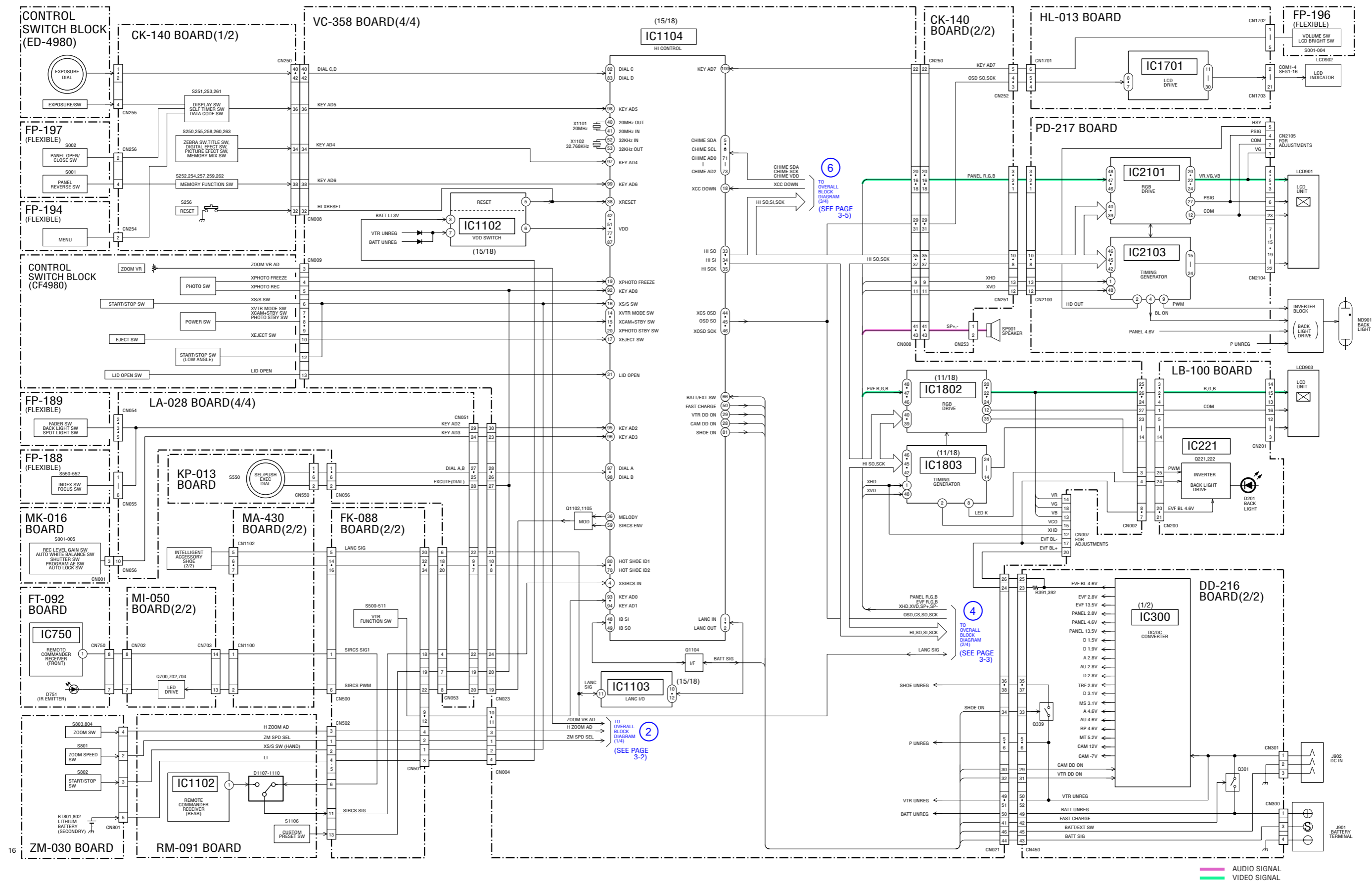
3. BLOCK DIAGRAMS

3-3. OVERALL BLOCK DIAGRAM (3/4) () : Number in parenthesis () indicates the division number of schematic diagram where the component is located.



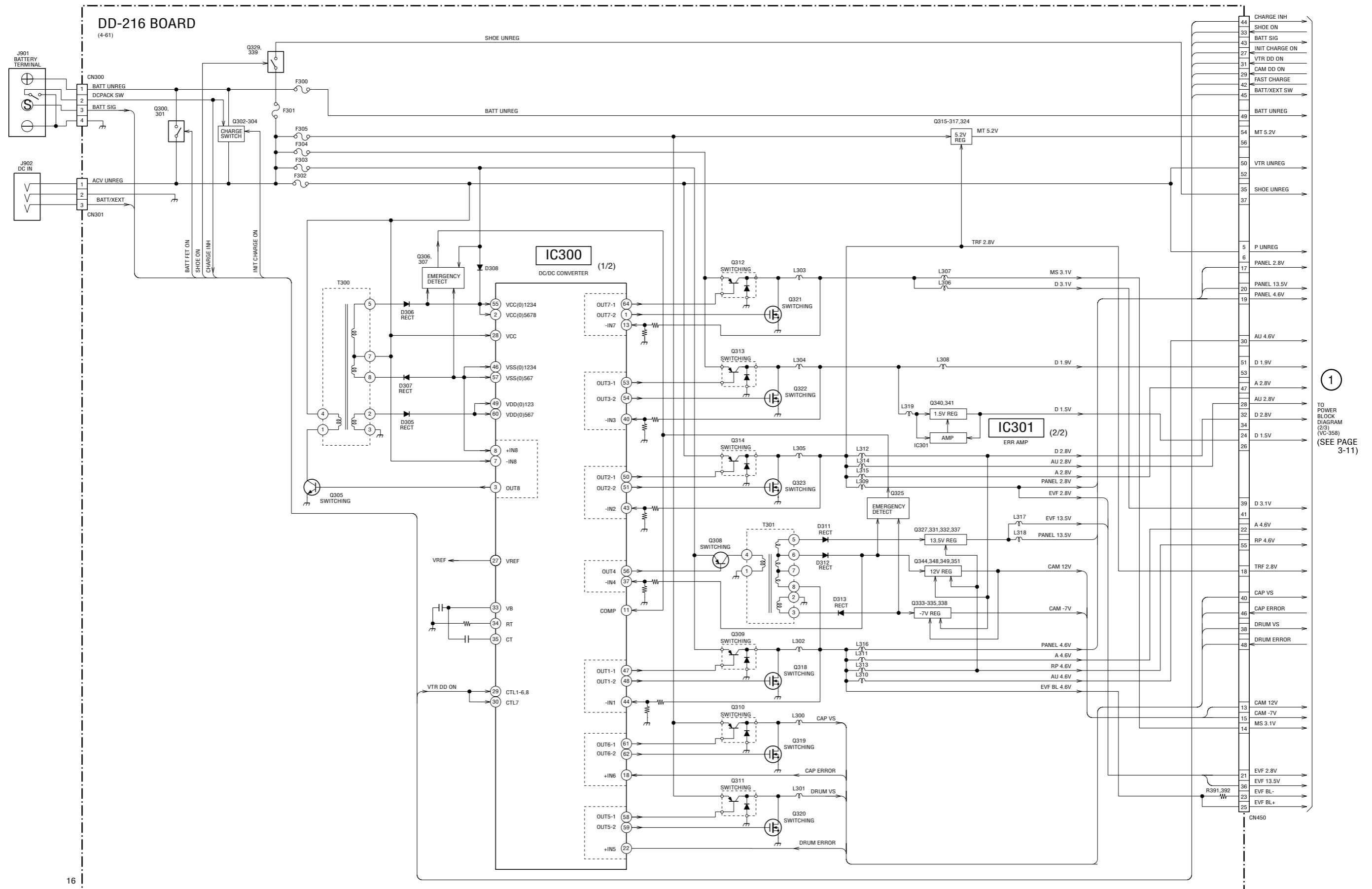
3. BLOCK DIAGRAMS

3-4. OVERALL BLOCK DIAGRAM (4/4) () : Number in parenthesis () indicates the division number of schematic diagram where the component is located.



3. BLOCK DIAGRAMS

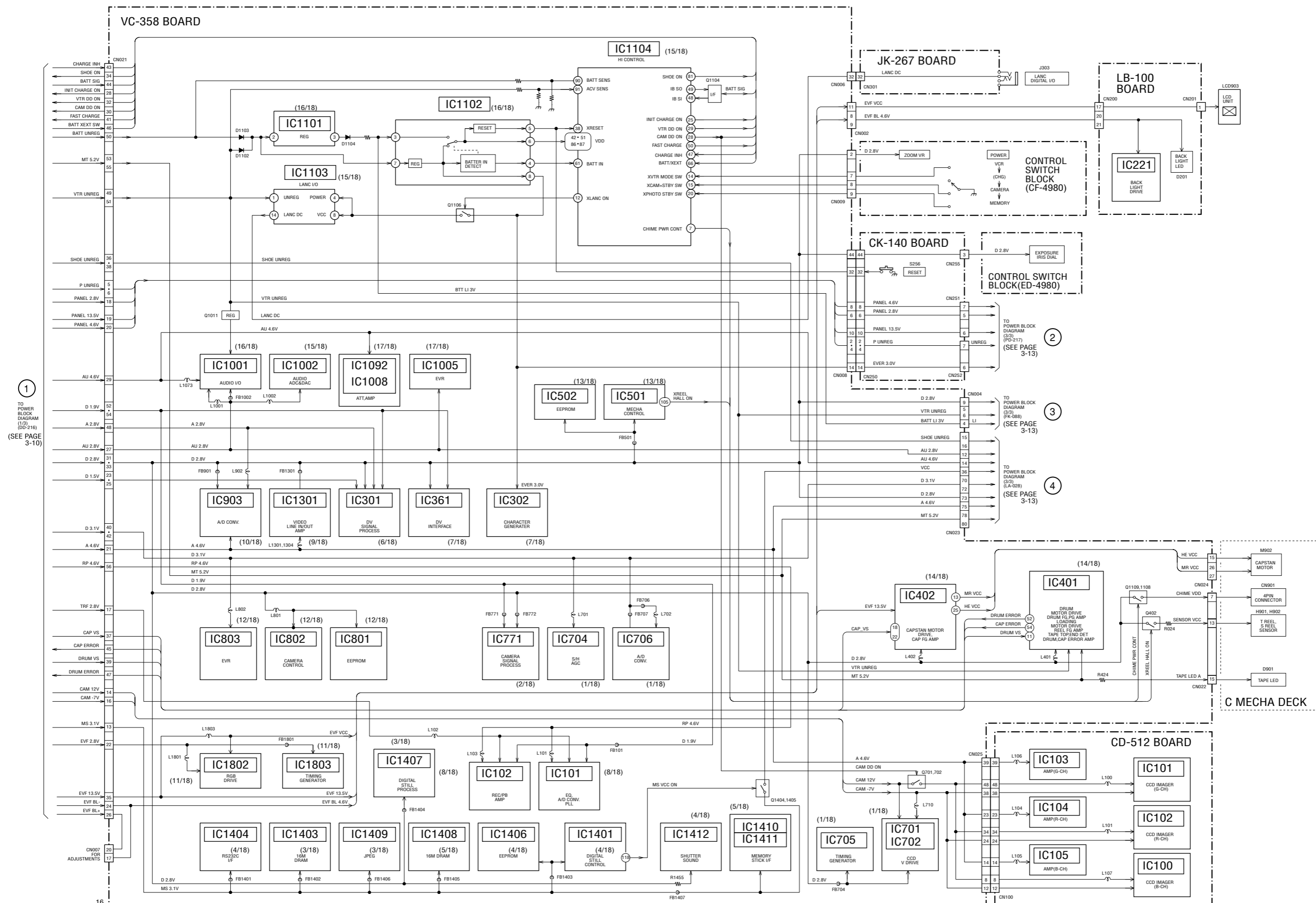
3-5. POWER BLOCK DIAGRAM (1/3) () : Number in parenthesis () indicates the division number of schematic diagram where the component is located.



1
TO POWER BLOCK DIAGRAM (2/3) (VC-358) (SEE PAGE 3-11)

3. BLOCK DIAGRAMS

3-6. POWER BLOCK DIAGRAM (2/3) () : Number in parenthesis () indicates the division number of schematic diagram where the component is located.



1 TO POWER BLOCK DIAGRAM (1/2) (DD-216) (SEE PAGE 3-10)

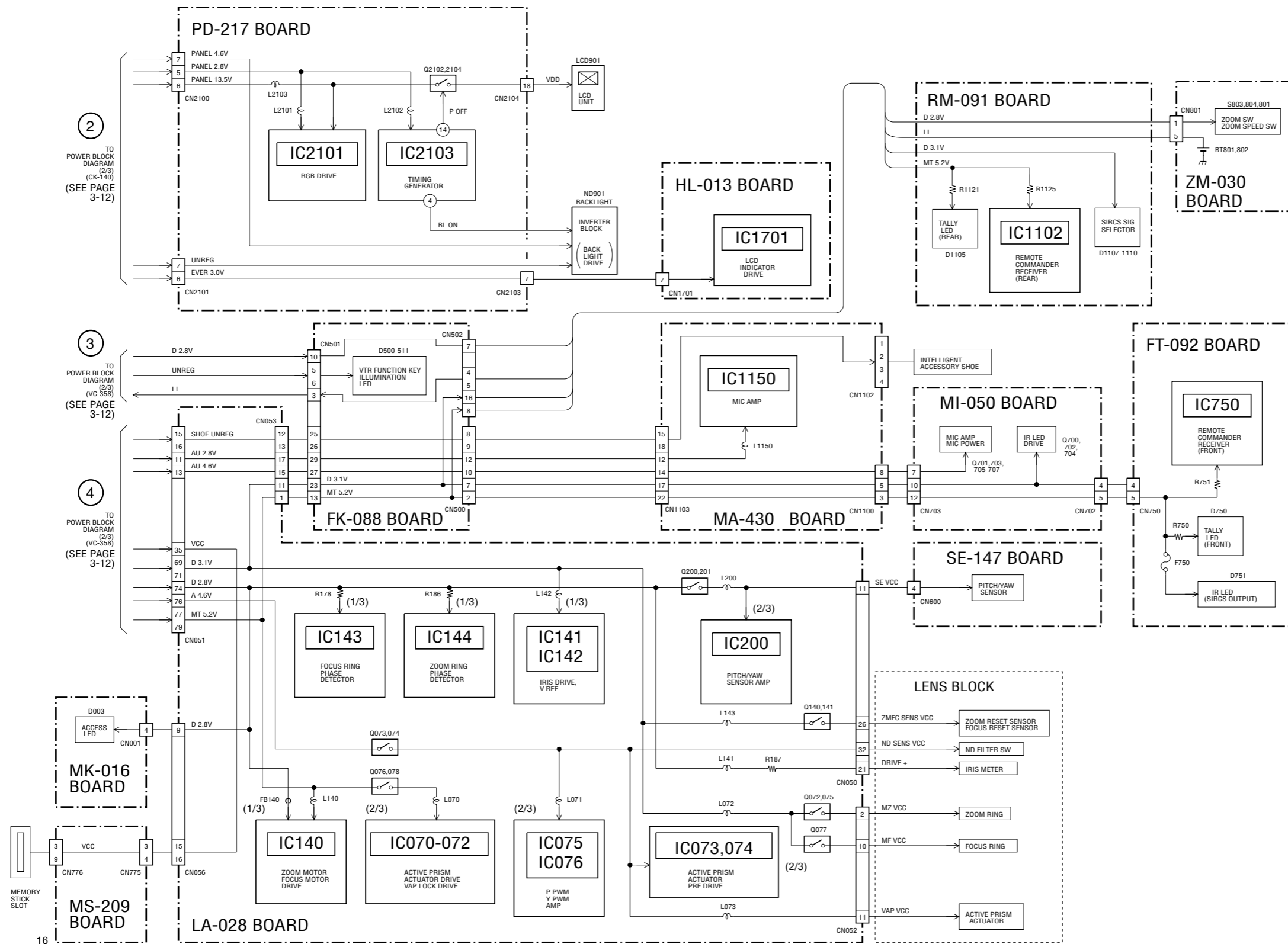
2 TO POWER BLOCK DIAGRAM (3/2) (PD-217) (SEE PAGE 3-13)

3 TO POWER BLOCK DIAGRAM (3/2) (FK-388) (SEE PAGE 3-13)

4 TO POWER BLOCK DIAGRAM (3/2) (LA-028) (SEE PAGE 3-13)

3. BLOCK DIAGRAMS

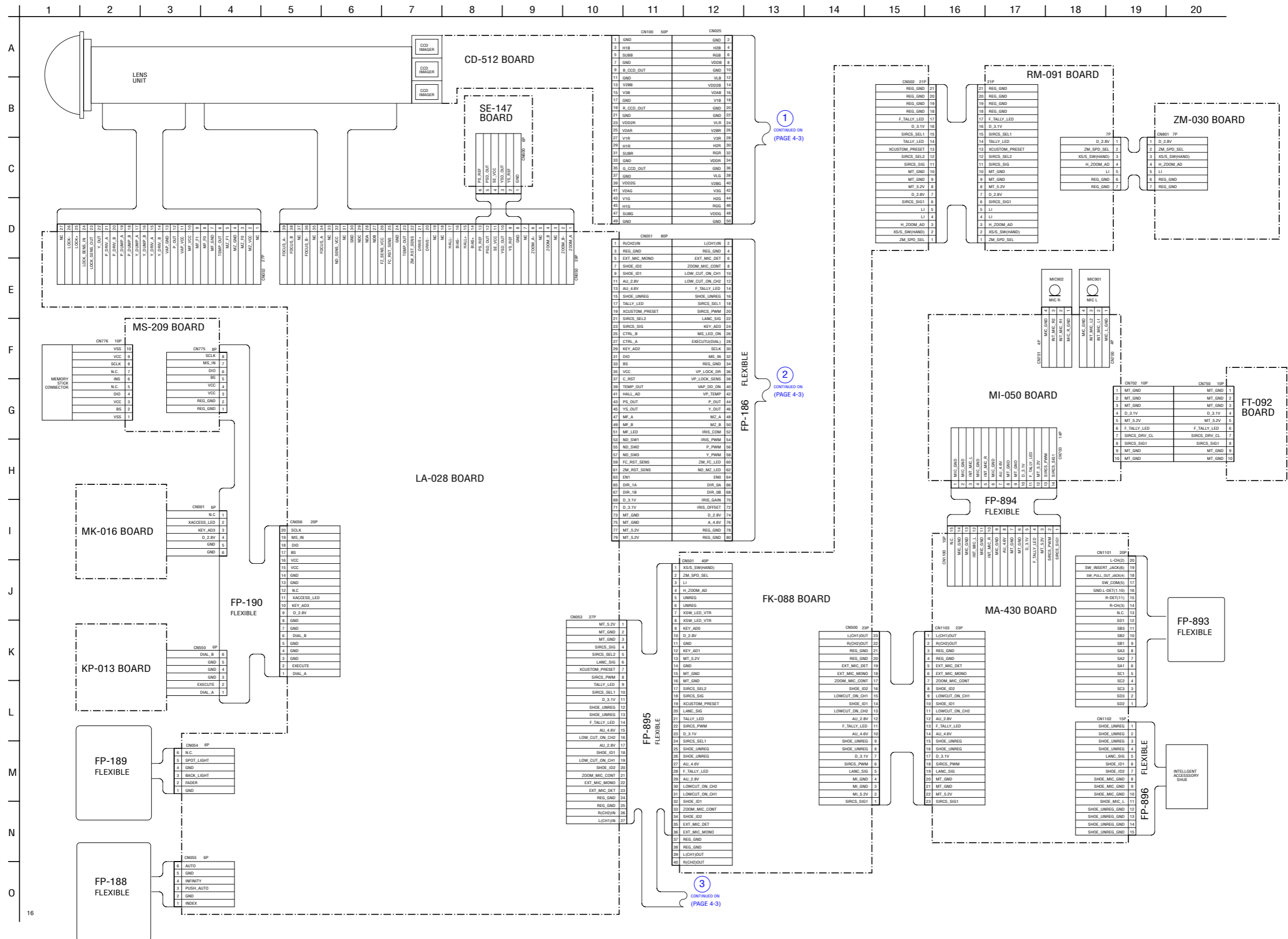
3-7. POWER BLOCK DIAGRAM (3/3) () : Number in parenthesis () indicates the division number of schematic diagram where the component is located.



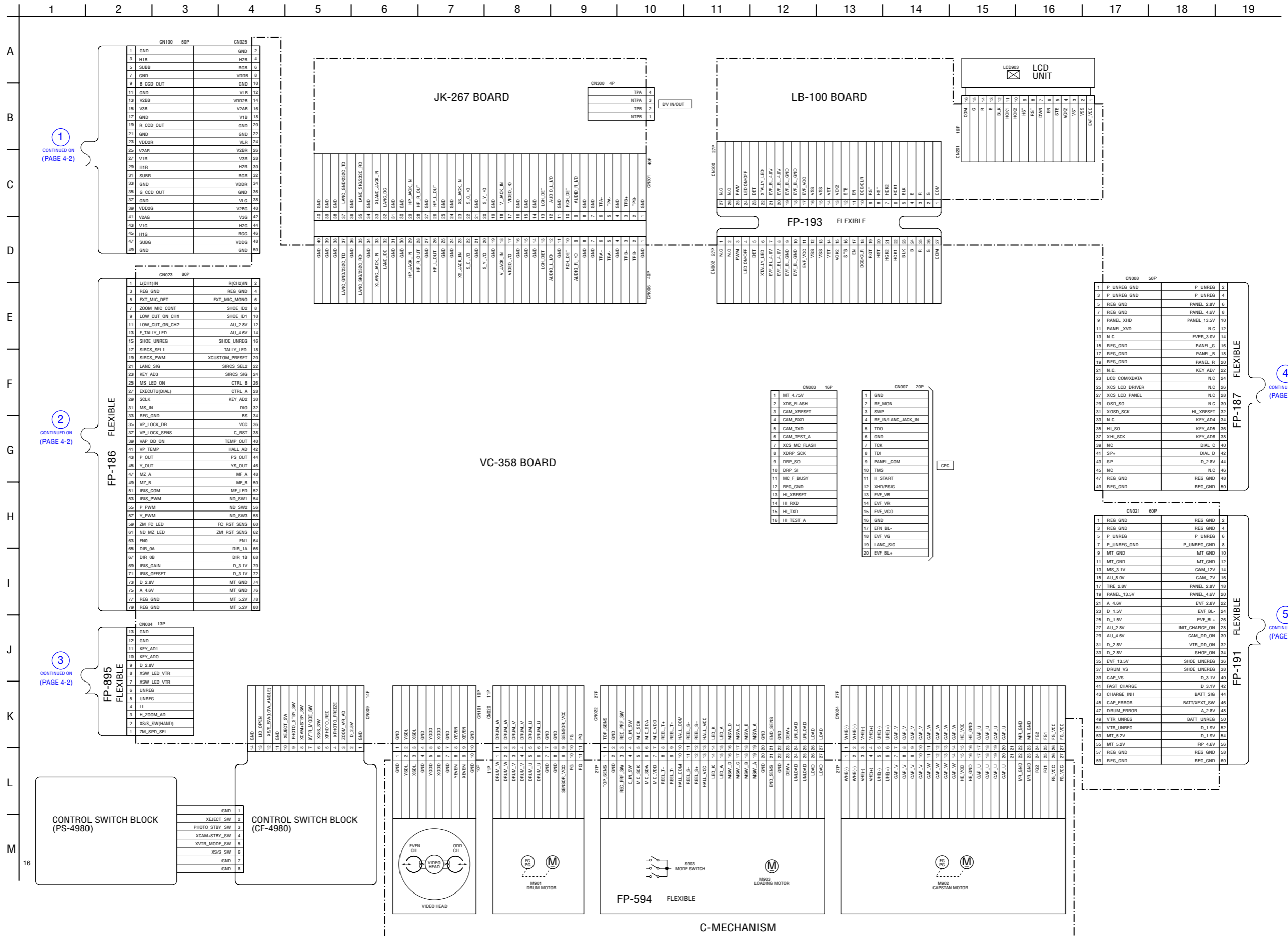
SECTION 4

PRINTED WIRING BOARDS AND SCHEMATIC DIAGRAMS

4-1. FRAME SCHEMATIC DIAGRAM (1/3)



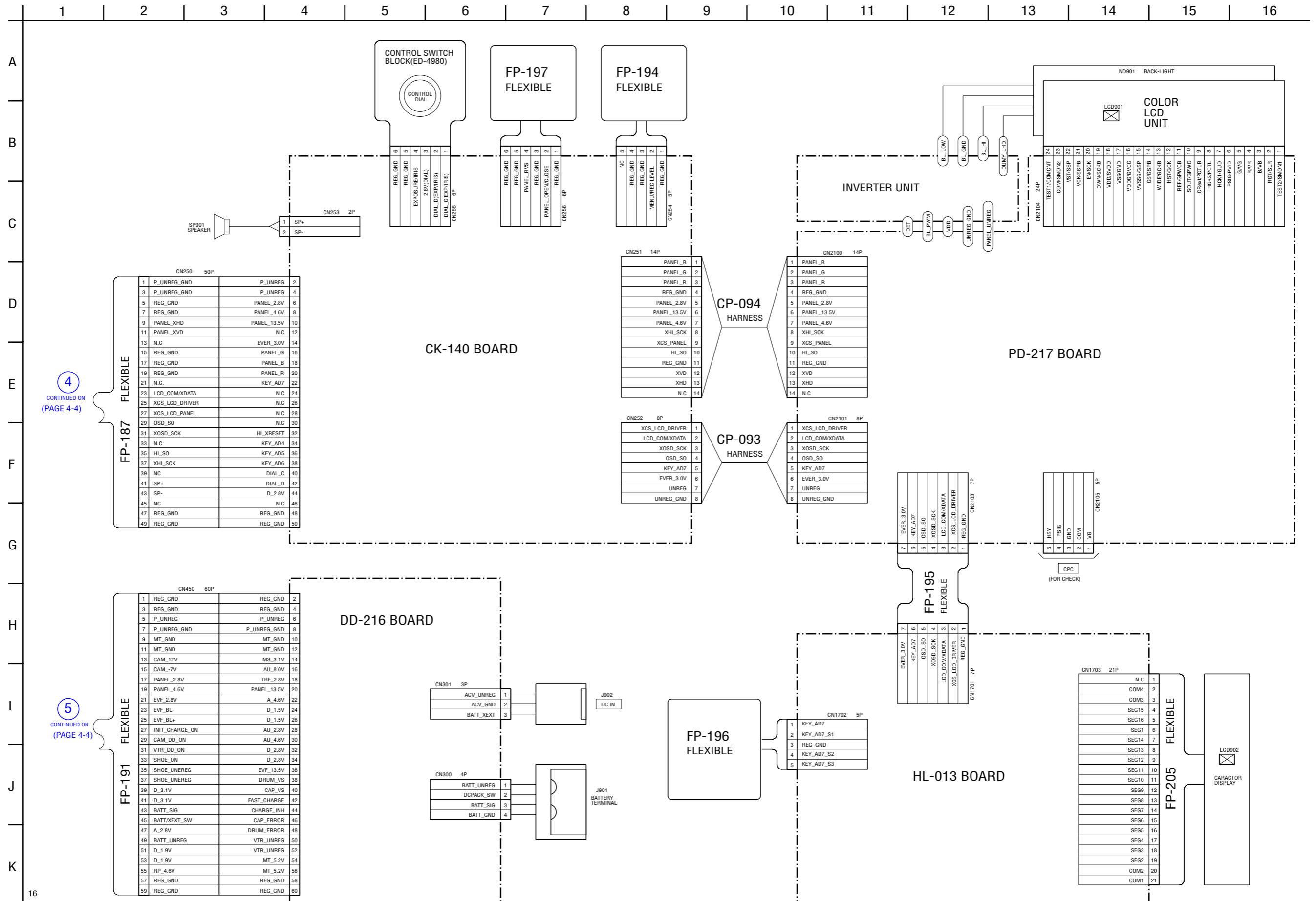
FRAME SCHEMATIC DIAGRAM (2/3)



4-2. SCHEMATIC DIAGRAMS

4-3. PRINTED WIRING BOARDS

FRAME SCHEMATIC DIAGRAM (3/3)



4 CONTINUED ON (PAGE 4-4)

5 CONTINUED ON (PAGE 4-4)

4-2. SCHEMATIC DIAGRAMS

Link

• CD-512 BOARD (CCD IMAGER)	• ZM-030 BOARD (ZOOM SWITCH)
• JK-267 BOARD (JACK BOARD)	• FK-088 BOARD (CONTROL SWITCH)
• CK-140 BOARD (KEY IN)	• FT-092 BOARD (REMOTE)
• CONTROL SWITCH BLOCK (ED-4980)	• MI-050 BOARD (MIC IN)
• FP-194, FP-197 FLEXIBLE BOARD	• FP-893, FP-894 FLEXIBLE BOARD
• PD-217 BOARD (RGB DRIVE, TG)	• LB-100 BOARD (BACK LIGHT)
• LA-028 BOARD (1/3) (ZOOM/FOCUS DRIVE)	• CONTROL SWITCH BLOCK (CF-4980, PS-4980)
• SE-147 BOARD (VAP SENSOR)	• HL-013 BOARD (LCD DRIVE)
• LA-028 BOARD (2/3) (VAP DRIVE)	• FP-195, FP-196, FP-205 FLEXIBLE BOARD
• LA-028 BOARD (3/3) (KEY IN/CONNECTOR)	• MA-430 BOARD (AUDIO AMP)
• FP-188, FP-189 FLEXIBLE BOARD	• FP-896 FLEXIBLE BOARD
• KP-013 BOARD (SELECT DIAL)	• DD-216 BOARD (1/2) (DC/DC CONVERTER)
• MK-016 BOARD (CONTROL KEY)	• DD-216 BOARD (2/2) (DC REGURATOR)
• MS-209 BOARD (MS CONNECTOR)	• RM-091 BOARD (REAR REMOCON RECEIVER)

• COMMON NOTE FOR SCHEMATIC DIAGRAMS

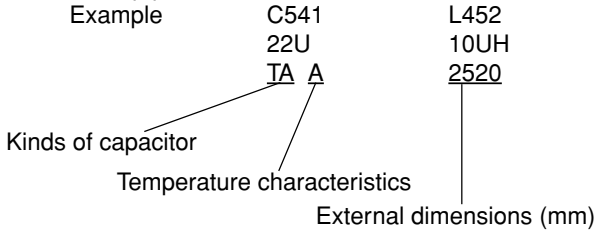
• WAVEFORMS

4-2. SCHEMATIC DIAGRAMS

THIS NOTE IS COMMON FOR SCHEMATIC DIAGRAMS
(In addition to this, the necessary note is printed in each block)

(For schematic diagrams)

- All capacitors are in µF unless otherwise noted. pF : µ µF. 50 V or less are not indicated except for electrolytics and tantalums.
Chip resistors are 1/10 W unless otherwise noted.
kΩ=1000 Ω, MΩ=1000 kΩ.
Caution when replacing chip parts.
New parts must be attached after removal of chip.
Be careful not to heat the minus side of tantalum capacitor, Because it is damaged by the heat.
Some chip part will be indicated as follows.

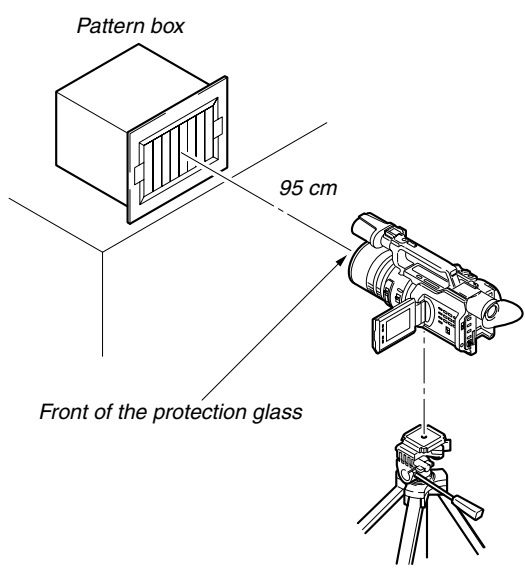


- Constants of resistors, capacitors, ICs and etc with XX indicate that they are not used.
In such cases, the unused circuits may be indicated.
Parts with * differ according to the model/destination. Refer to the mount table for each function.
All variable and adjustable resistors have characteristic curve B, unless otherwise noted.
Signal name
XEDIT → EDIT PB/XREC → PB/REC
- [Symbol] : non flammable resistor
- [Symbol] : fusible resistor
- [Symbol] : panel designation
- [Red line] : B+ Line
- [Dashed red line] : B- Line
- [Arrow] : IN/OUT direction of (+,-) B LINE.
- [Red box] : adjustment for repair.
- [Green line] : VIDEO SIGNAL (ANALOG)
- [Purple line] : AUDIO SIGNAL (ANALOG)
- [Orange line] : VIDEO/AUDIO SIGNAL (ANALOG)
- [Yellow line] : VIDEO/AUDIO/SERVO SIGNAL
- [Cyan line] : SERVO SIGNAL
Circled numbers refer to waveforms.

(Measuring conditions voltage and waveform)

- Voltages and waveforms are measured between the measurement points and ground when camera shoots color bar chart of pattern box. They are reference values and reference waveforms.
(VOM of DC 10 MΩ input impedance is used)
Voltage values change depending upon input impedance of VOM used.)

1. Connection



2. Adjust the distance so that the output waveform of Fig. a and the Fig. b can be obtain.

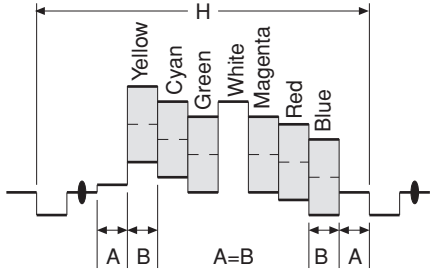


Fig. a (Video output terminal output waveform)

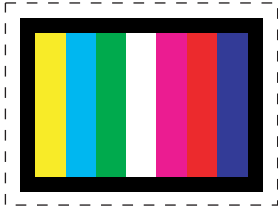


Fig.b (Picture on monitor TV)

When indicating parts by reference number, please include the board name.

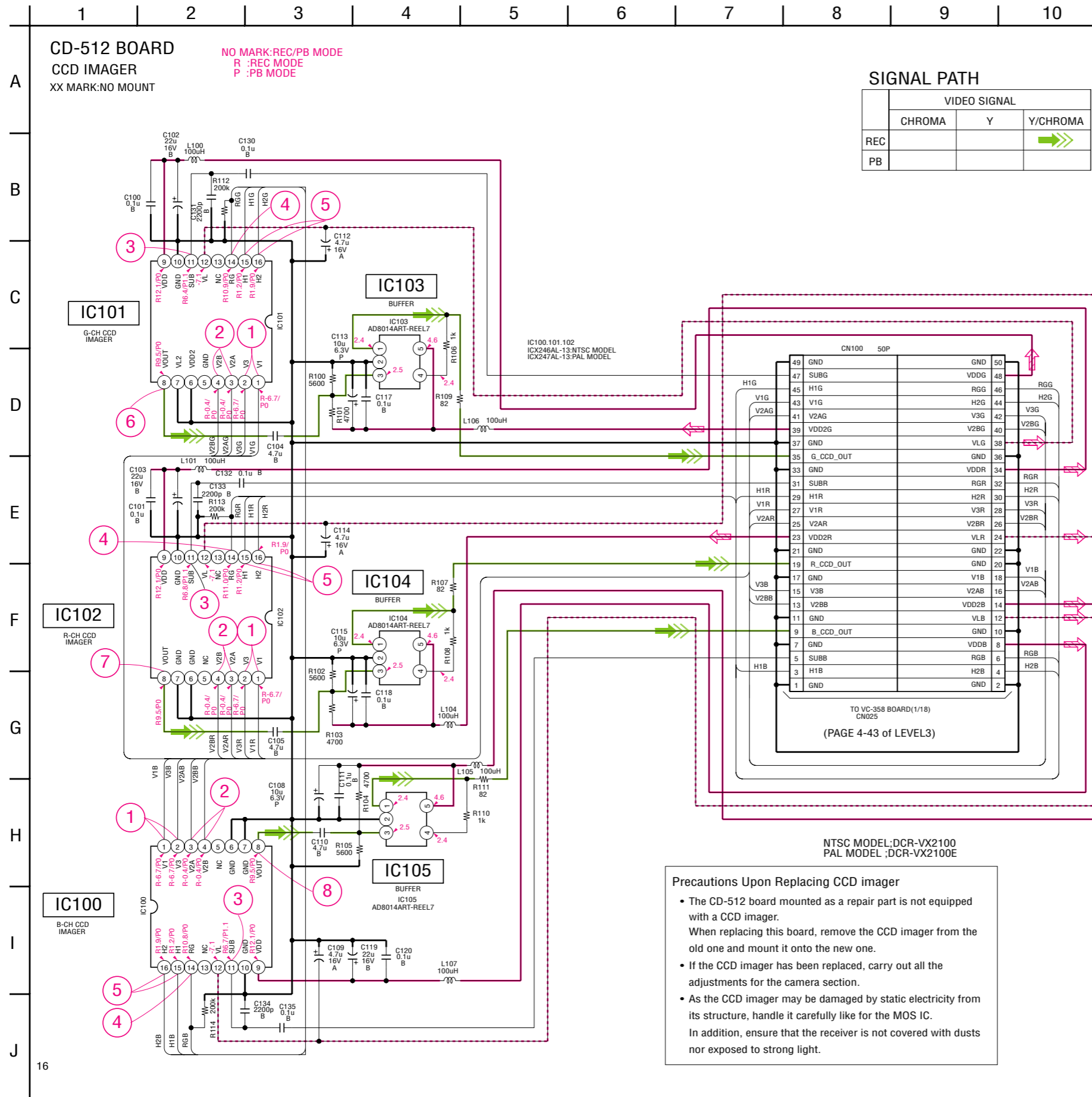
Note : The components identified by mark Δ or dotted line with mark Δ are critical for safety. Replace only with part number specified.

Note : Les composants identifiés par une marque Δ sont critiques pour la sécurité. Ne les remplacer que par une pièce portant le numéro spécifié.

4-2. SCHEMATIC DIAGRAMS

For Schematic Diagram

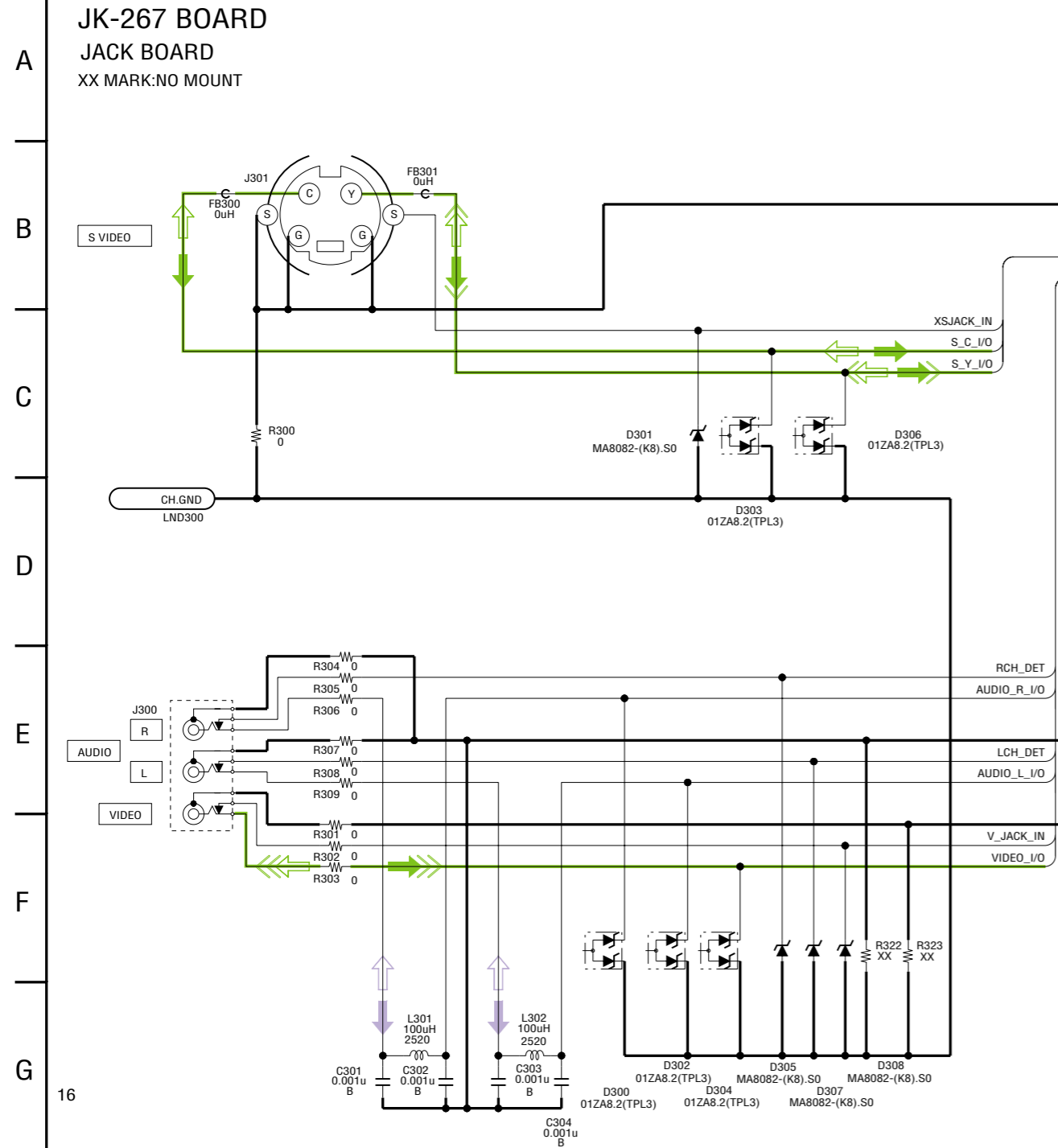
• Refer to page 4-81 for printed wiring board.



4-2. SCHEMATIC DIAGRAMS JK-267 PRINTED WIRING BOARD

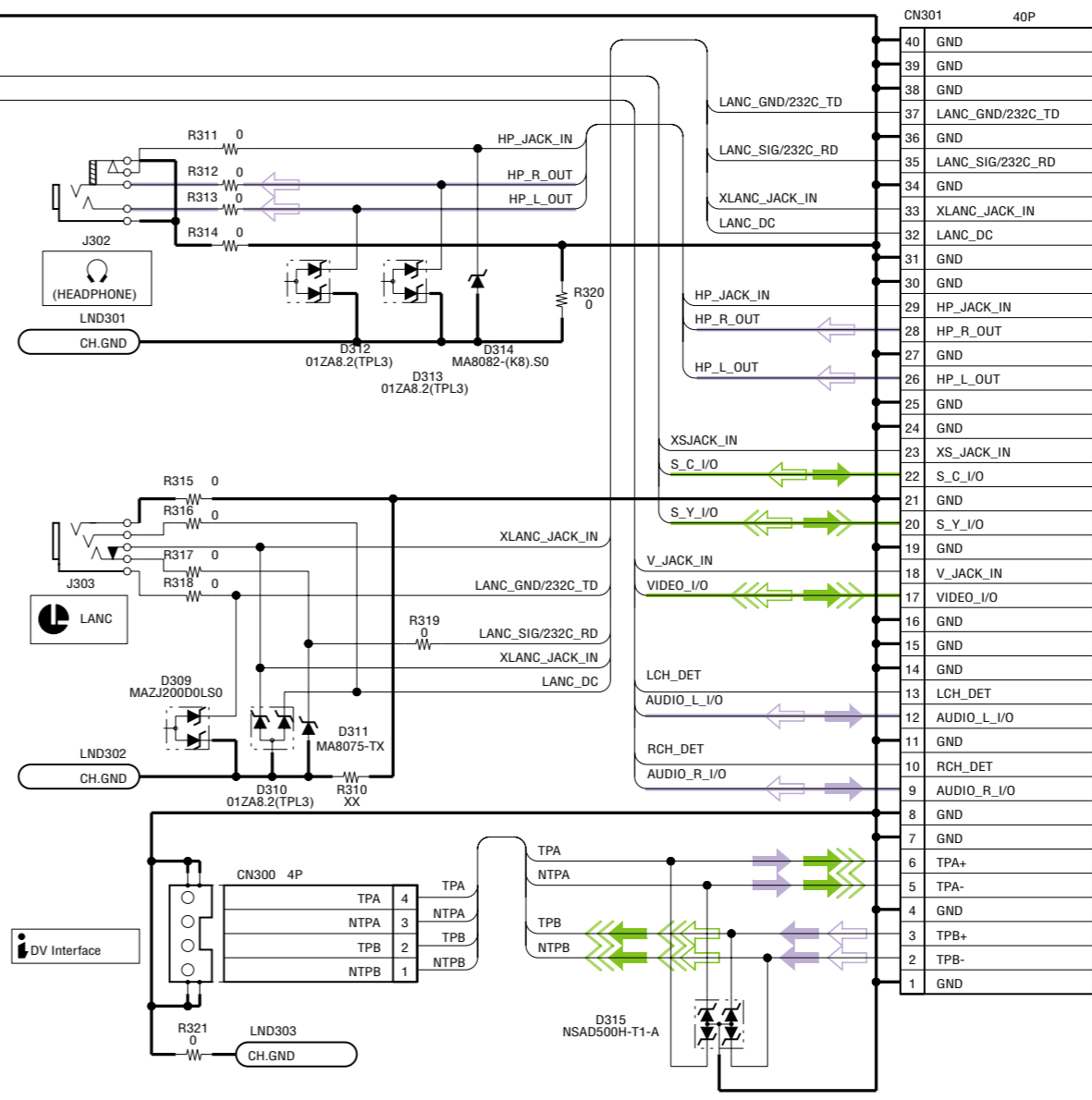
For Schematic Diagram
 • Refer to page 4-83 for printed wiring board.

1 2 3 4 5 6 7 8 9 10 11 12 13



SIGNAL PATH

	VIDEO SIGNAL			AUDIO SIGNAL
	CHROMA	Y	Y/CHROMA	
REC	→	→	→	→
PB	→	→	→	→



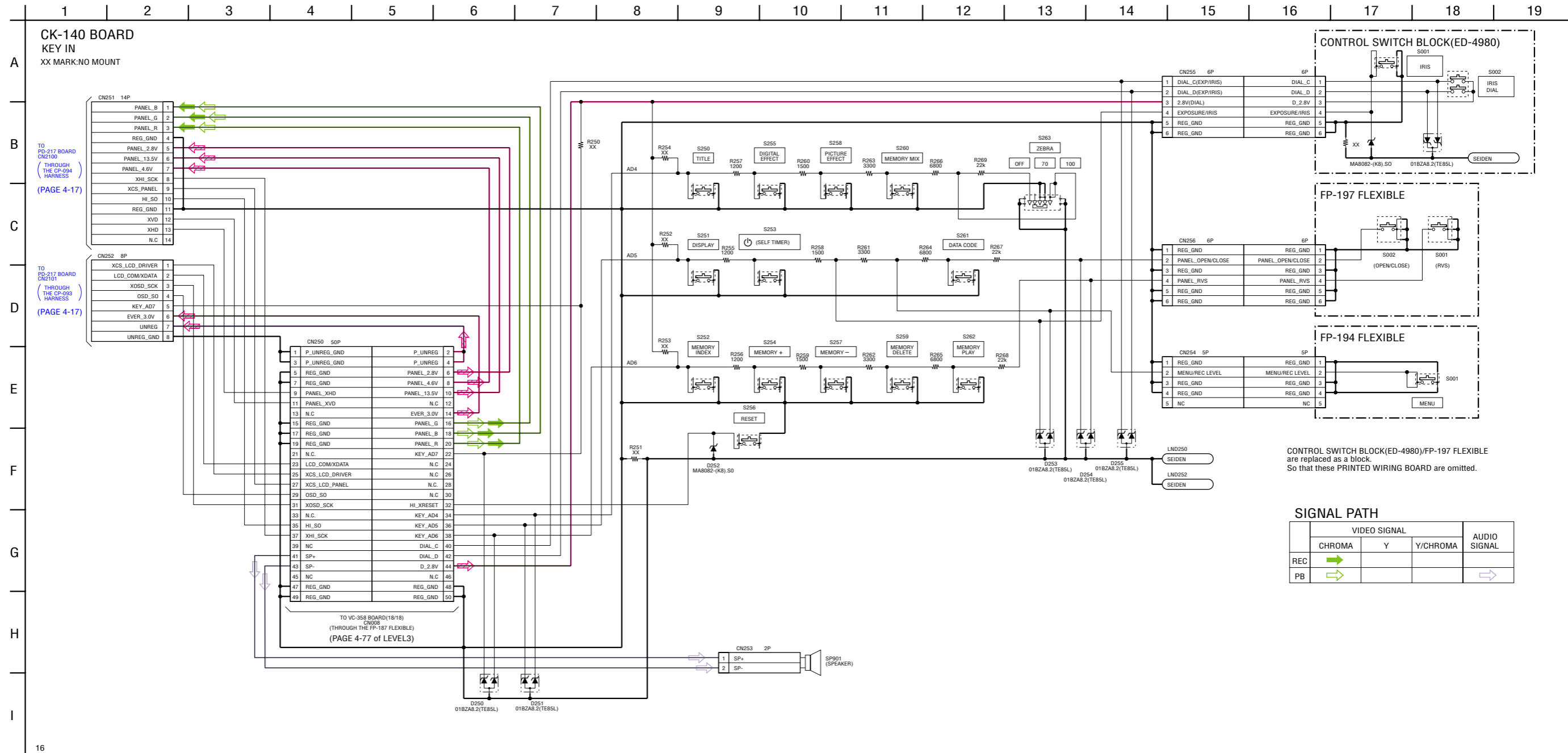
CN301	40P
40	GND
39	GND
38	LANC_GND/232C_TD
37	LANC_GND/232C_TD
36	GND
35	LANC_SIG/232C_RD
34	GND
33	XLANC_JACK_IN
32	LANC_DC
31	GND
30	GND
29	HP_JACK_IN
28	HP_R_OUT
27	GND
26	HP_L_OUT
25	GND
24	GND
23	XS_JACK_IN
22	S_C_I/O
21	GND
20	S_Y_I/O
19	GND
18	V_JACK_IN
17	VIDEO_I/O
16	GND
15	GND
14	GND
13	LCH_DET
12	AUDIO_L_I/O
11	GND
10	RCH_DET
9	AUDIO_R_I/O
8	GND
7	GND
6	TPA+
5	TPA-
4	GND
3	TPB+
2	TPB-
1	GND

TO VC-358 BOARD (9/15) GN006 (PAGE 4-59 of LEVEL3)

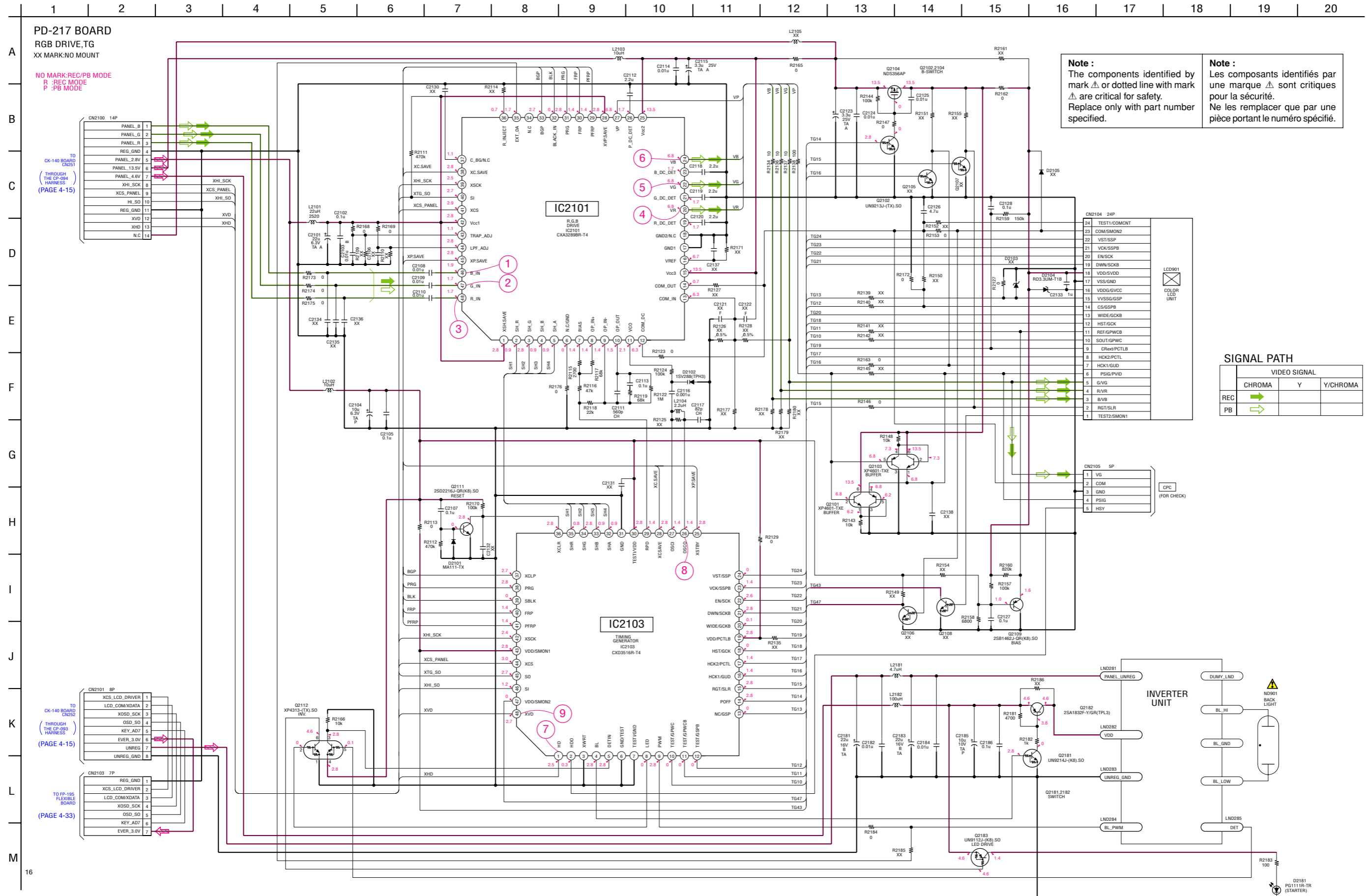
4-2. SCHEMATIC DIAGRAMS CK-140 BOARD FP-194 BOARD

For Schematic Diagram

- Refer to page 4-85 for printed wiring board of CK-140.
- Refer to page 4-88 for printed wiring board of FP-194.



For Schematic Diagram
 • Refer to page 4-87 for printed wiring board.



Note :
 The components identified by mark Δ or dotted line with mark Δ are critical for safety. Replace only with part number specified.

Note :
 Les composants identifiés par une marque Δ sont critiques pour la sécurité. Ne les remplacer que par une pièce portant le numéro spécifié.

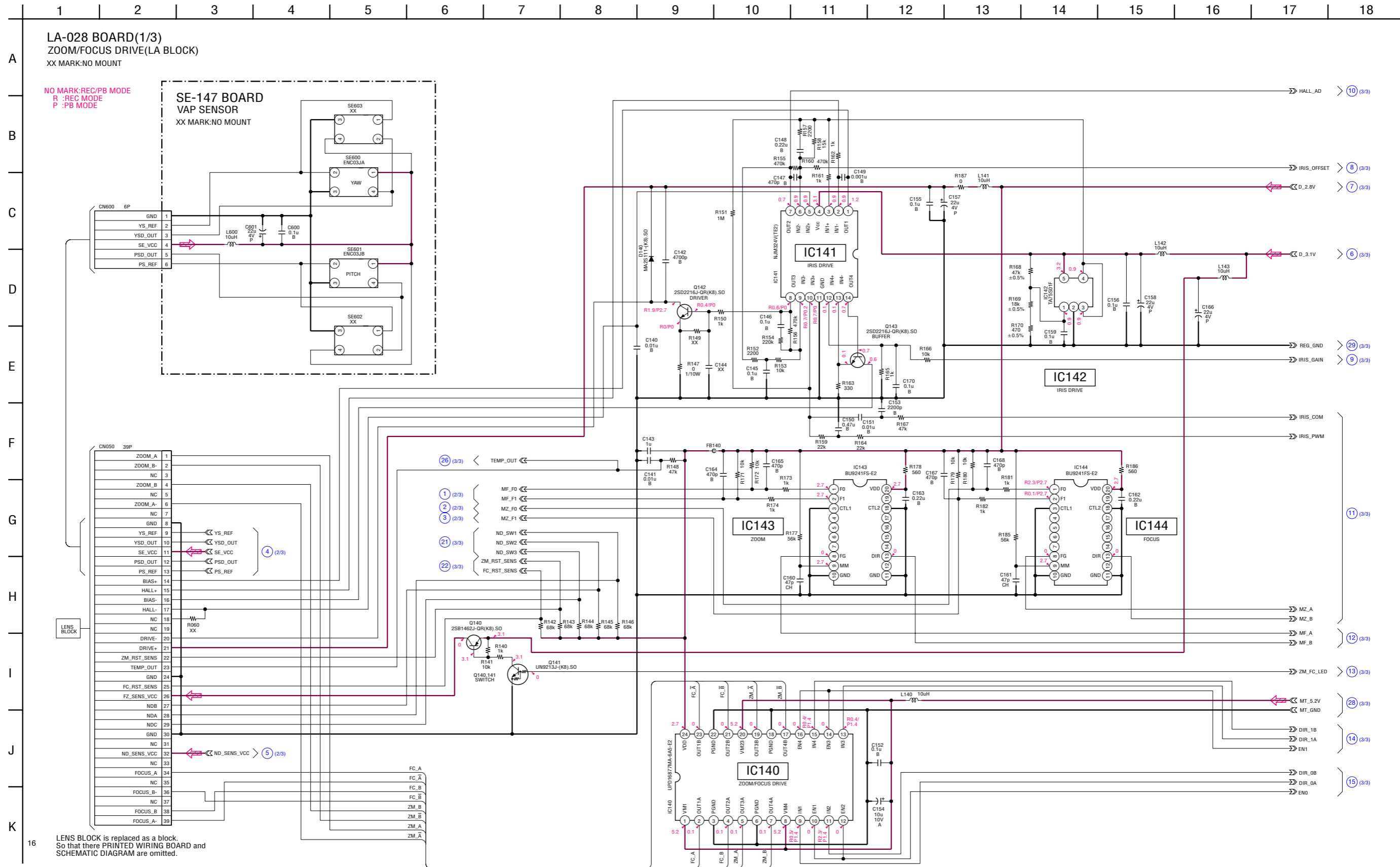
4-2. SCHEMATIC DIAGRAMS

LA-028 BOARD

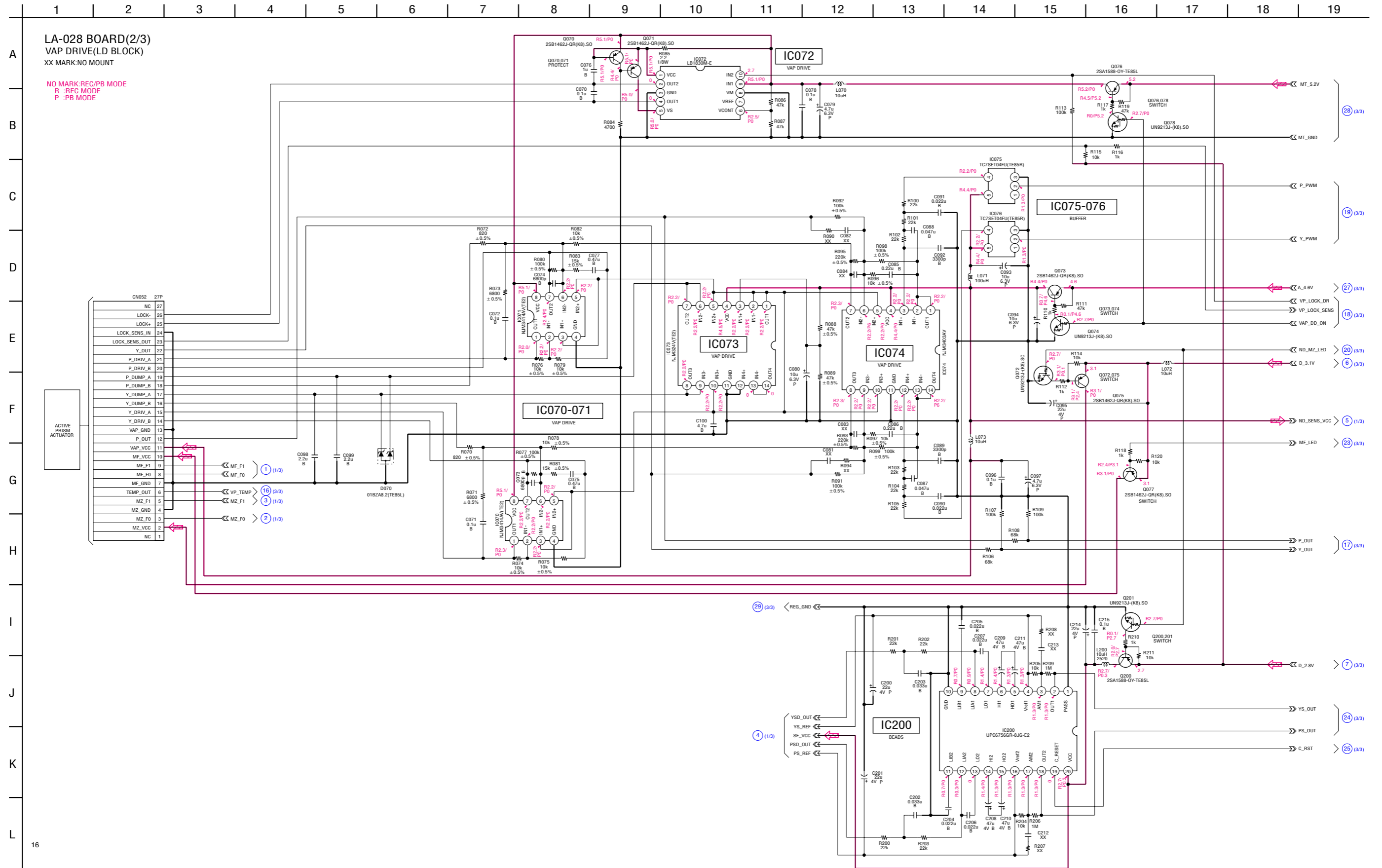
SE-147 BOARD

For Schematic Diagram

- Refer to page 4-89 for printed wiring board of LA-028.
- Refer to page 4-91 for printed wiring board of SE-147.



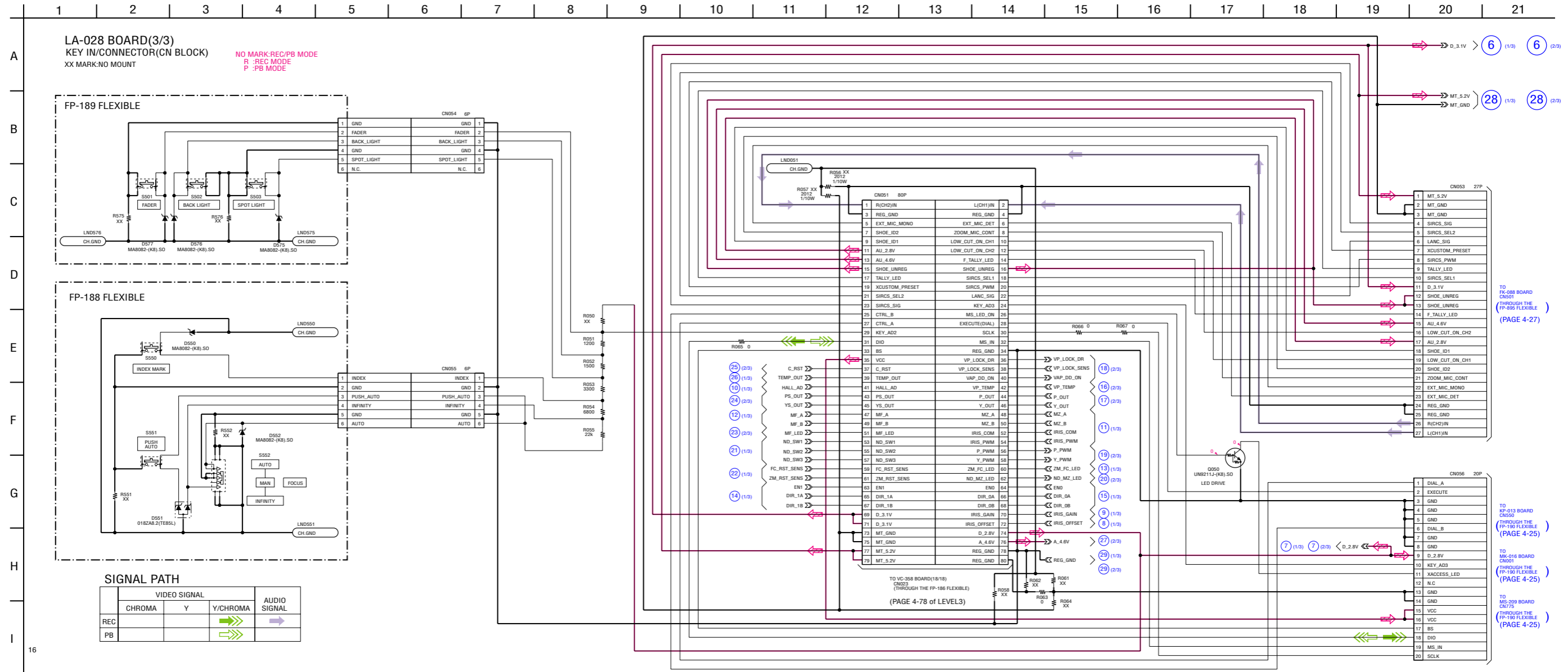
For Schematic Diagram
• Refer to page 4-89 for printed wiring board.



4-2. SCHEMATIC DIAGRAMS LA-028 BOARD FP-188 BOARD FP-189 BOARD

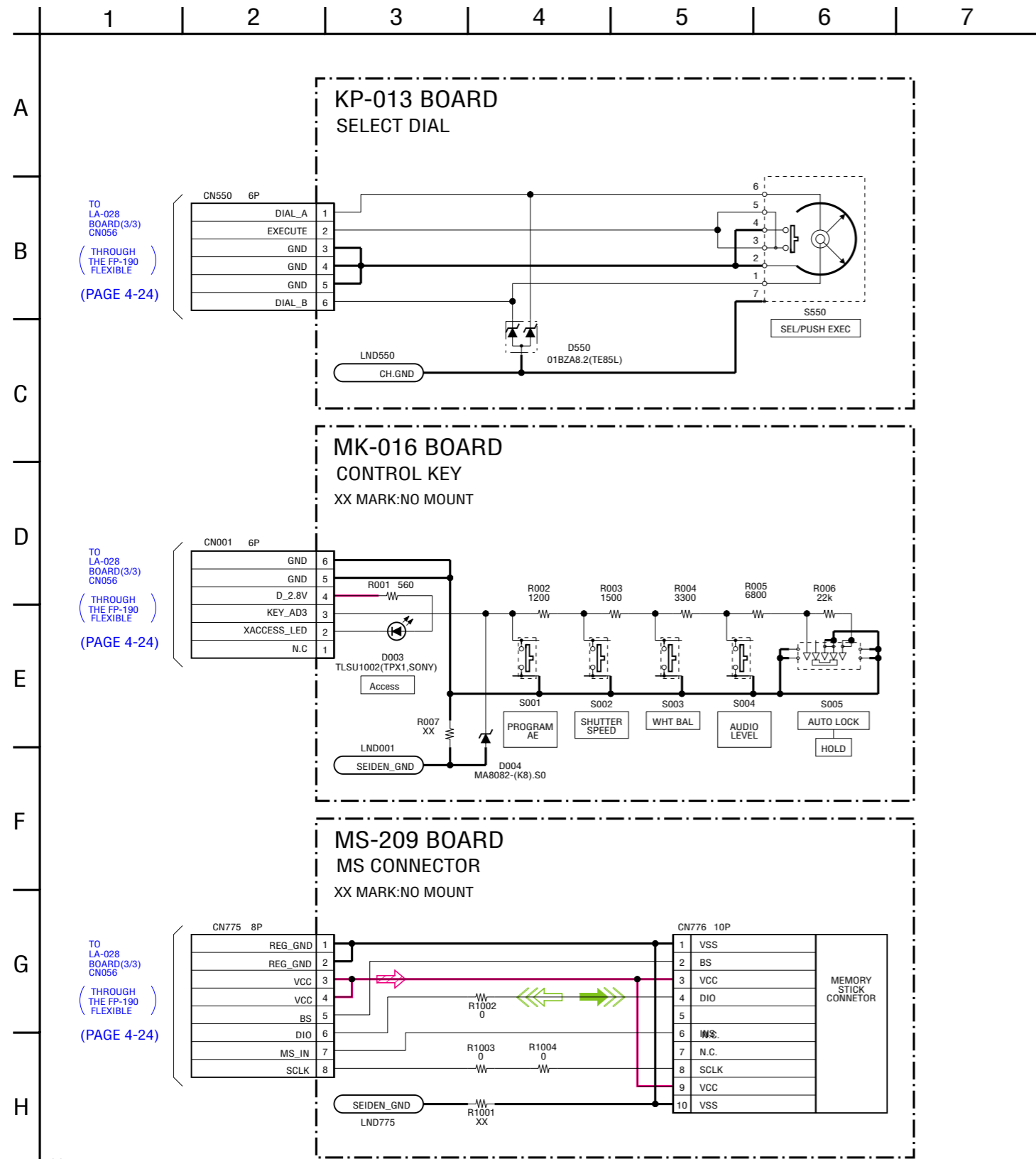
For Schematic Diagram

- Refer to page 4-89 for printed wiring board of LA-028.
- Refer to page 4-91 for printed wiring board of FP-188 and FP-189.



4-2. SCHEMATIC DIAGRAMS KP-013 BOARD MK-016 BOARD MS-209 BOARD ZM-030 BOARD

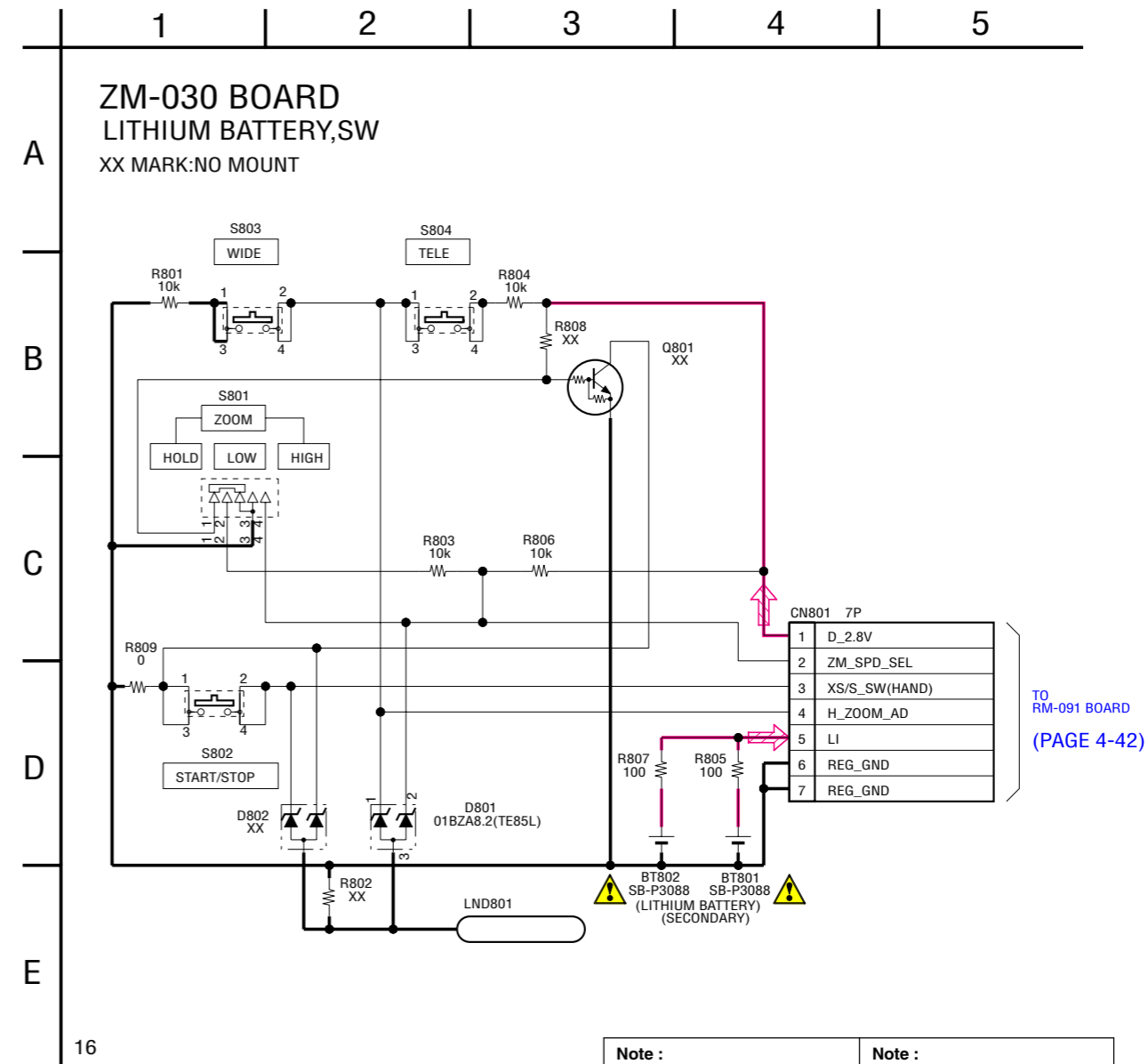
For Schematic Diagram
 • Refer to page 4-93 for printed wiring board of MS-209.
 • Refer to page 4-95 for printed wiring board of KP-013 and MK-016.



SIGNAL PATH

	VIDEO SIGNAL		
	CHROMA	Y	Y/CHROMA
REC			→→→
PB			→→→

For Schematic Diagram
 • Refer to page 4-109 for printed wiring board.

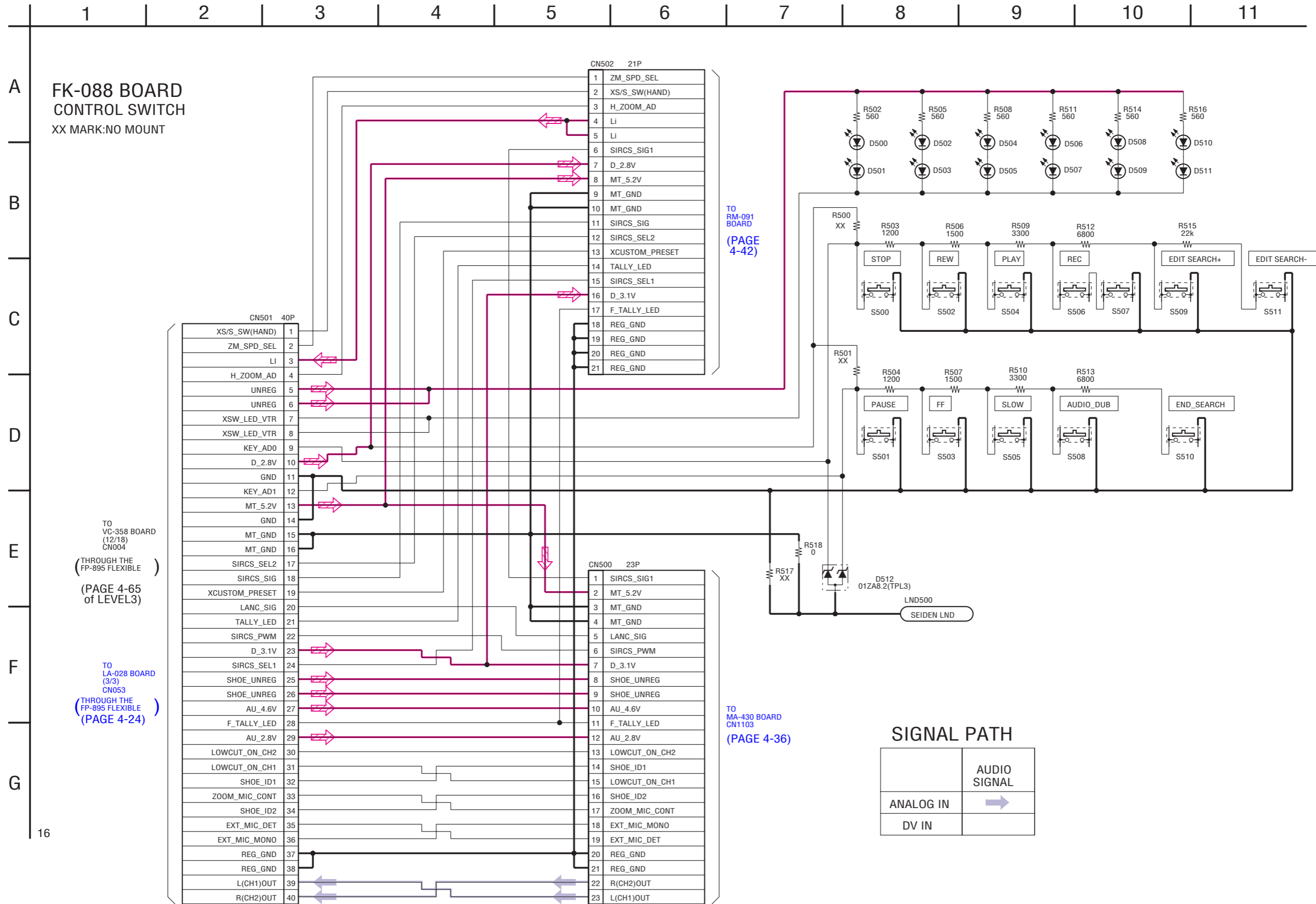


Note :
 The components identified by mark Δ or dotted line with mark Δ are critical for safety. Replace only with part number specified.

Note :
 Les composants identifiés par une marque Δ sont critiques pour la sécurité. Ne les remplacer que par une pièce portant le numéro spécifié.

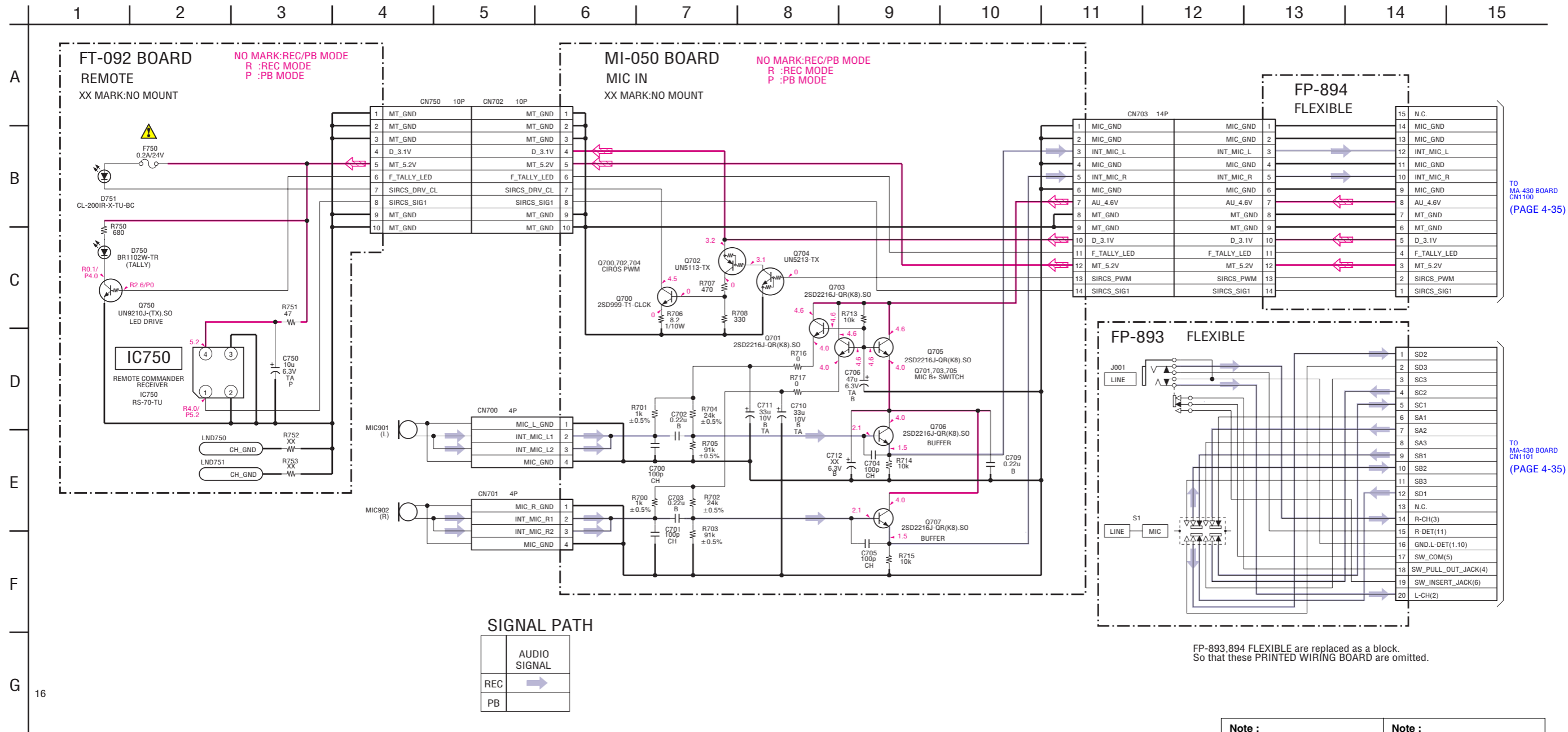
4-2. SCHEMATIC DIAGRAMS FK-088 PRINTED WIRING BOARD

For Schematic Diagram
 • Refer to page 4-97 for printed wiring board.



4-2. SCHEMATIC DIAGRAMS MI-050 BOARD FT-092 BOARD

For Schematic Diagram
 • Refer to page 4-99 for printed wiring board of MI-050, FT-092.



TO MA-430 BOARD CN1100 (PAGE 4-35)

TO MA-430 BOARD CN1101 (PAGE 4-35)

FP-893,894 FLEXIBLE are replaced as a block. So that these PRINTED WIRING BOARD are omitted.

Note :
 The components identified by mark Δ or dotted line with mark Δ are critical for safety. Replace only with part number specified.

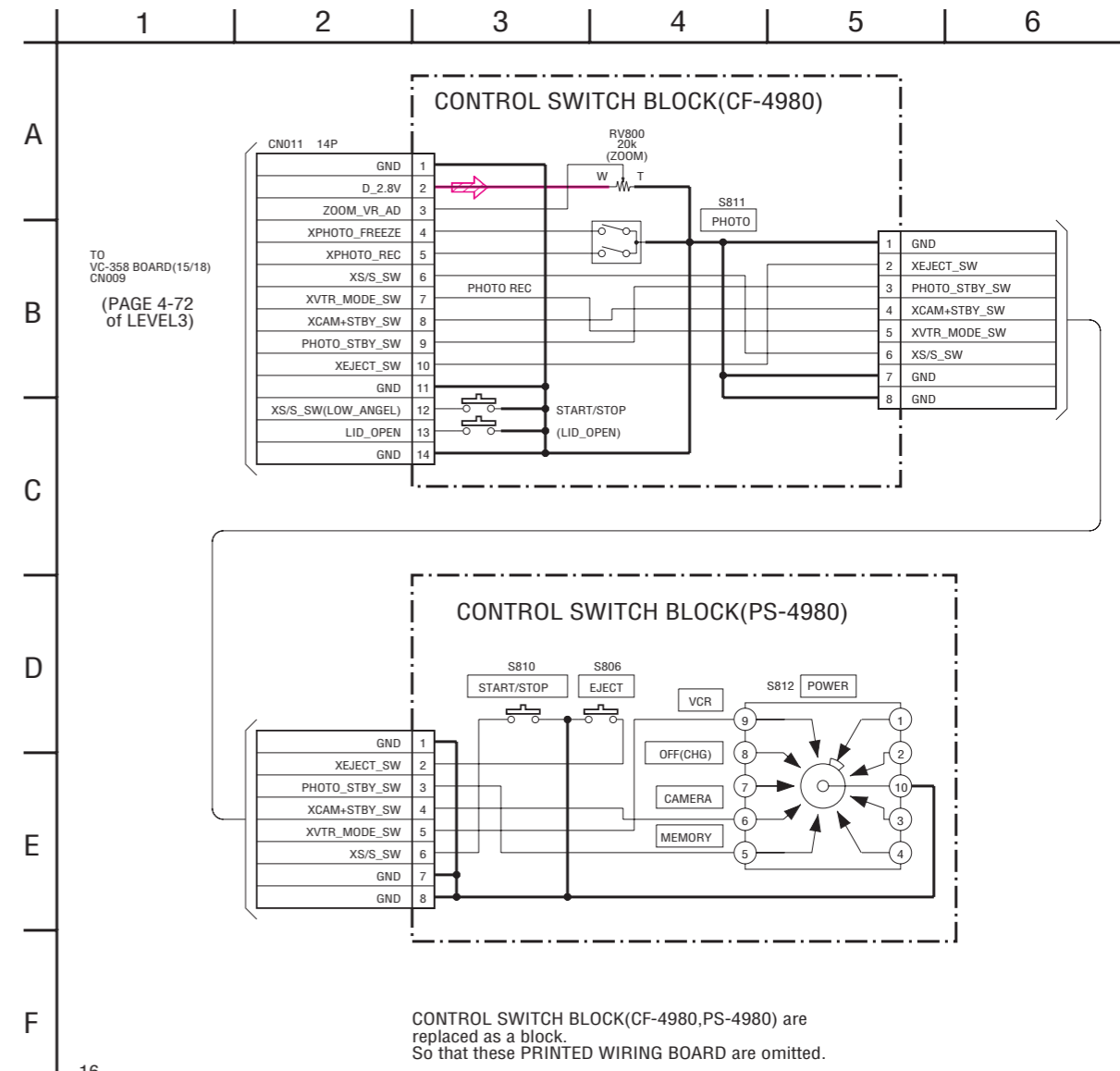
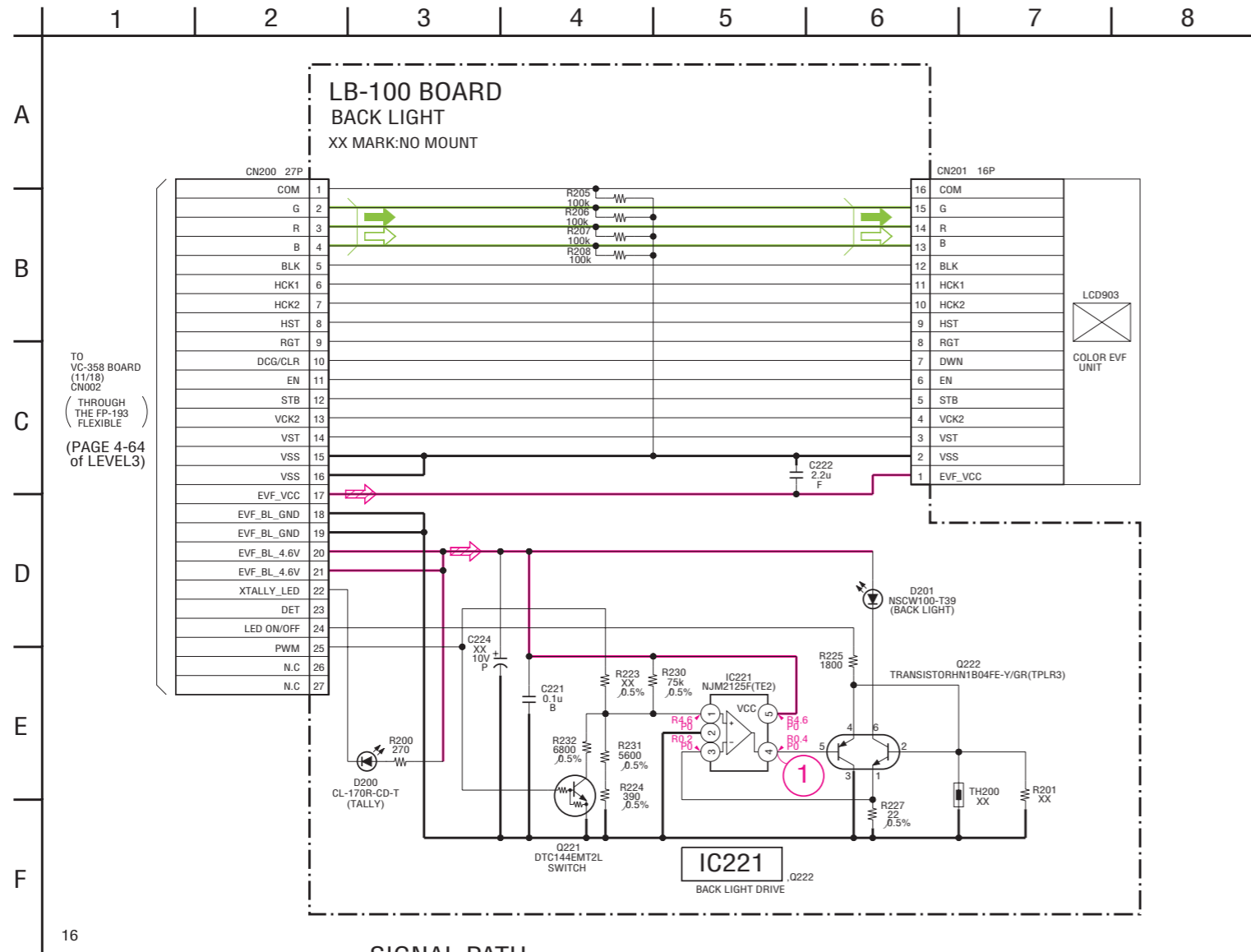
Note :
 Les composants identifiés par une marque Δ sont critiques pour la sécurité. Ne les remplacer que par une pièce portant le numéro spécifié.

4-2. SCHEMATIC DIAGRAMS

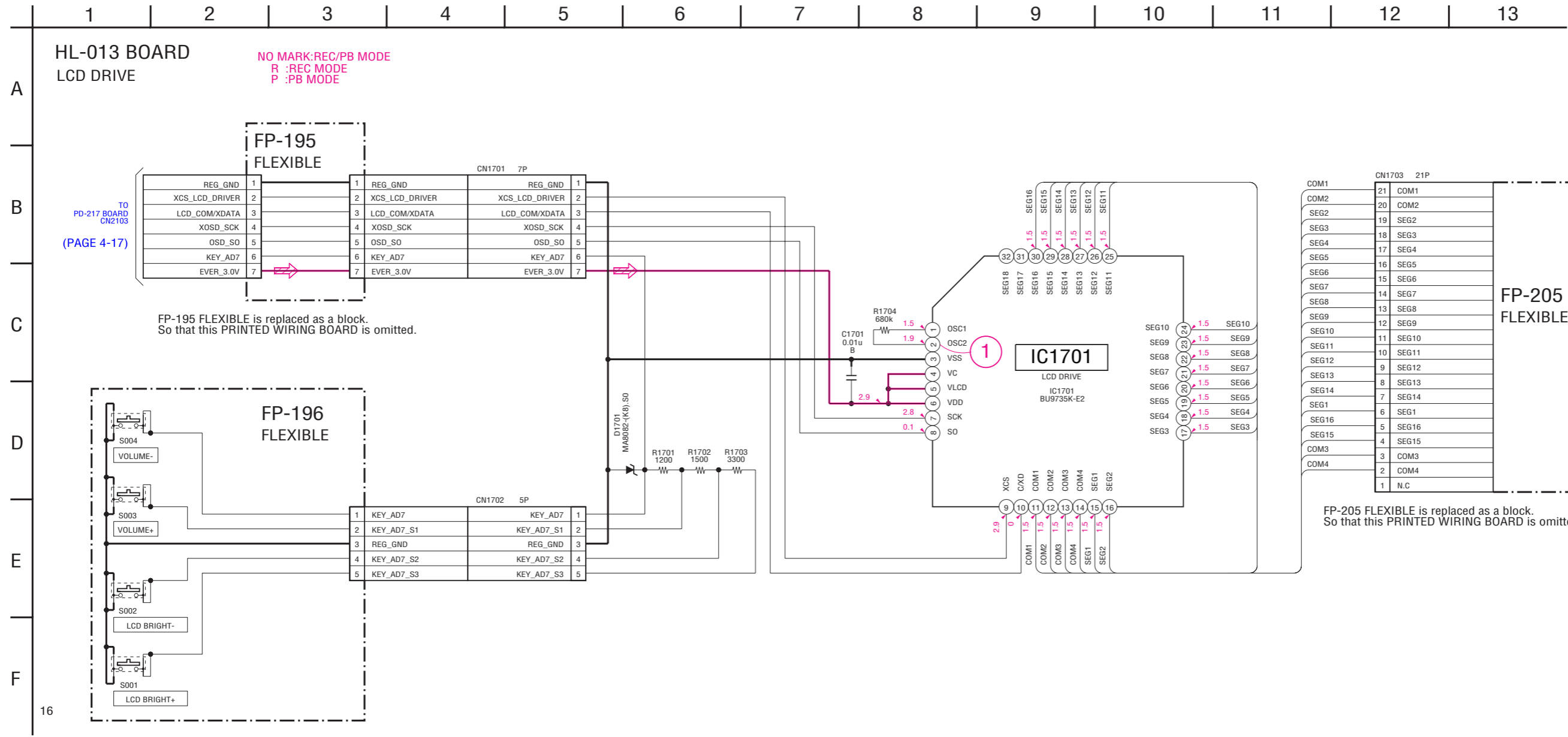
LB-100 PRINTED WIRING BOARD

For Schematic Diagram

• Refer to page 4-101 for printed wiring board of LB-100.



For Schematic Diagram
 • Refer to page 4-103 for printed wiring board of HL-013 and FP-196.



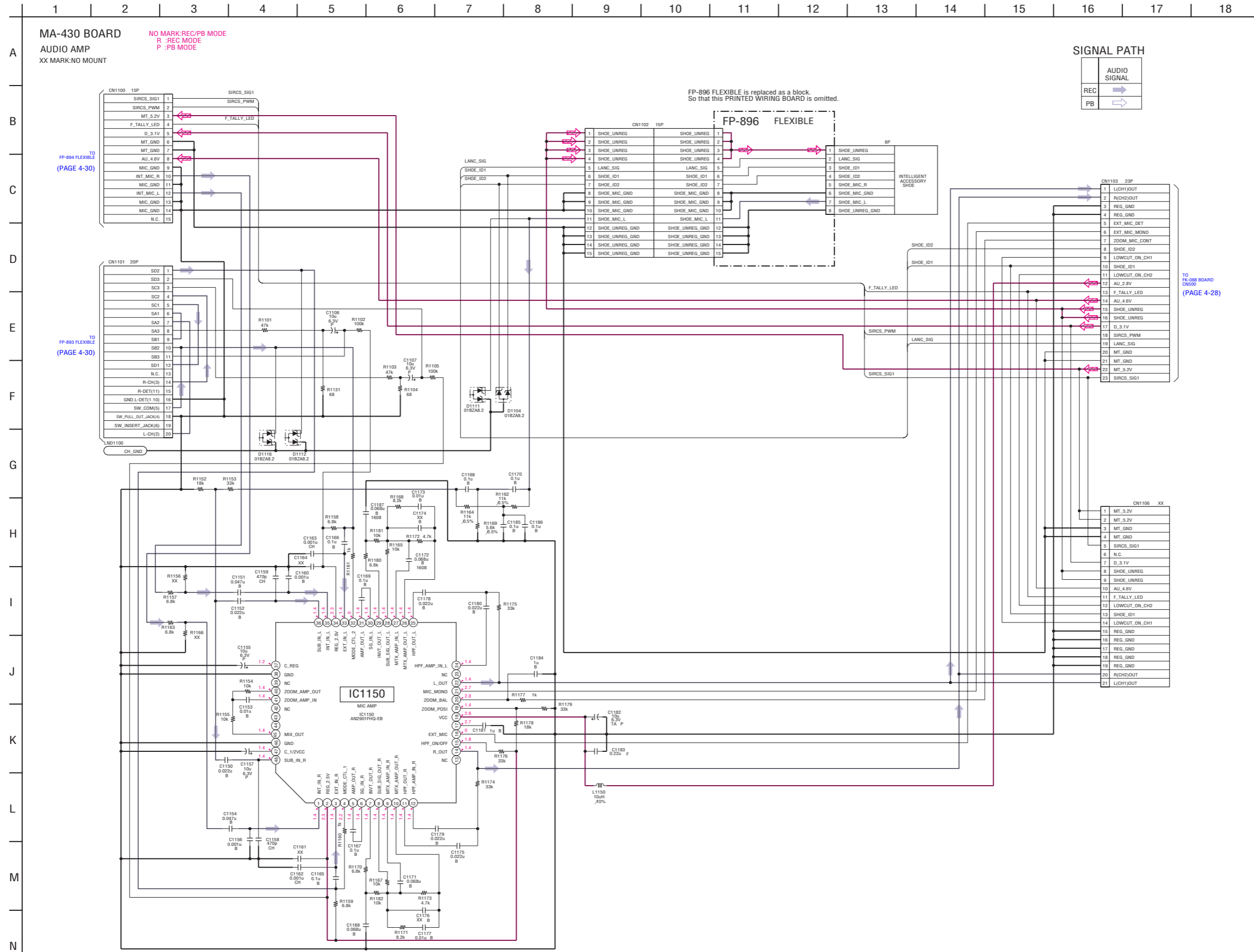
CN1703 21P		LCD902 CHARACTER DISPLAY	
COM1	21	COM1	
COM2	20	COM2	
SEG2	19	SEG2	
SEG3	18	SEG3	
SEG4	17	SEG4	
SEG5	16	SEG5	
SEG6	15	SEG6	
SEG7	14	SEG7	
SEG8	13	SEG8	
SEG9	12	SEG9	
SEG10	11	SEG10	
SEG11	10	SEG11	
SEG12	9	SEG12	
SEG13	8	SEG13	
SEG14	7	SEG14	
SEG1	6	SEG1	
SEG16	5	SEG16	
SEG15	4	SEG15	
COM3	3	COM3	
COM4	2	COM4	
	1	N.C	

FP-205 FLEXIBLE is replaced as a block.
 So that this PRINTED WIRING BOARD is omitted.

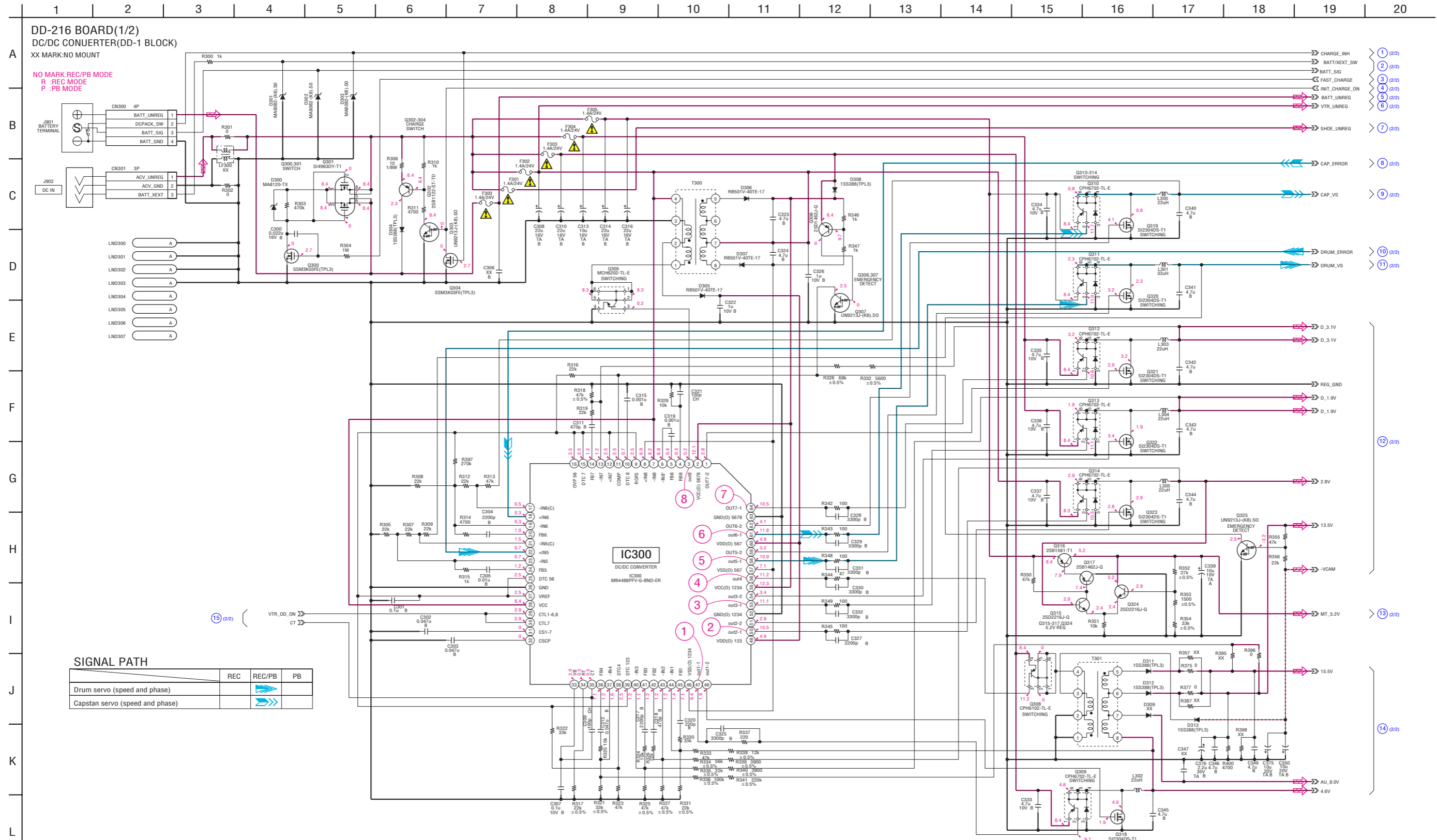
4-2. SCHEMATIC DIAGRAMS

MA-430 PRINTED WIRING BOARD

For Schematic Diagram
 • Refer to page 4-105 for printed wiring board.



For Schematic Diagram
 • Refer to page 4-107 for printed wiring board.

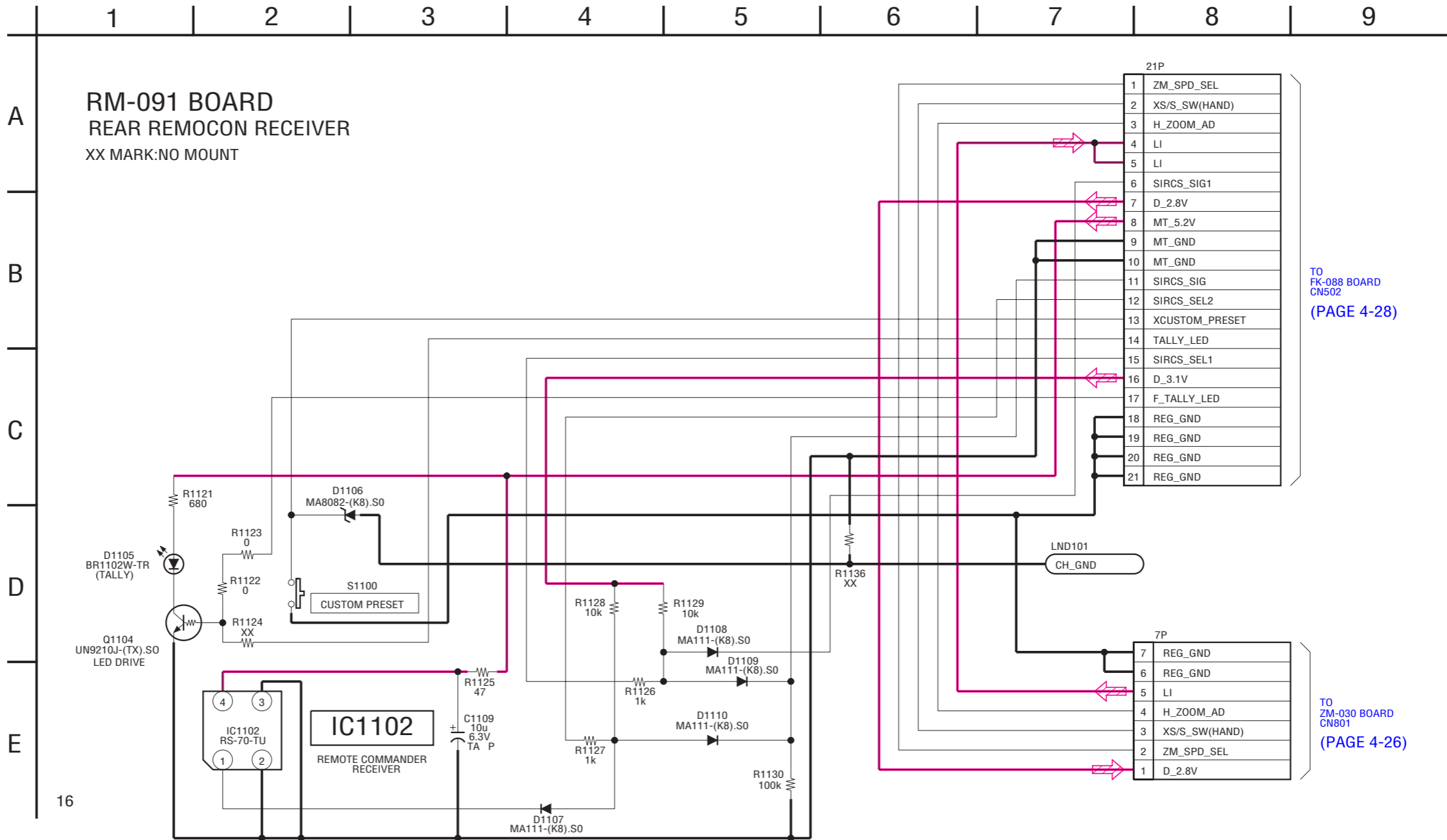


Note :
 The components identified by mark Δ or dotted line with mark Δ are critical for the safety. Replace only with part number specified.

Note :
 Les composants identifiés par une marque Δ sont critiques pour la sécurité. Ne les remplacer que par une pièce portant le numéro spécifié.

4-2. SCHEMATIC DIAGRAMS RM-091 PRINTED WIRING BOARD

For Schematic Diagram
 • Refer to page 4-111 for printed wiring board.



TO
 FK-088 BOARD
 CN502
 (PAGE 4-28)

TO
 ZM-030 BOARD
 CN801
 (PAGE 4-26)

Schematic diagrams of the FP-594 and VC-358 board are not shown.
 Pages from 4-43 to 4-78 are not shown.

4-3. PRINTED WIRING BOARDS

Link



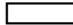
• CD-512 BOARD	• MK-016 BOARD
• JK-267 BOARD	• FK-088 BOARD
• CK-140 BOARD	• MI-050 BOARD
• PD-217 BOARD	• FT-092 BOARD
• FP-194 FLEXIBLE BOARD	• LB-100 BOARD
• LA-028 BOARD	• HL-013 BOARD
• SE-147 BOARD	• FP-196 FLEXIBLE BOARD
• FP-188 FLEXIBLE BOARD	• MA-430 BOARD
• FP-189 FLEXIBLE BOARD	• DD-216 BOARD
• MS-209 BOARD	• ZM-030 BOARD
• KP-013 BOARD	• RM-091 BOARD

• COMMON NOTE FOR PRINTED WIRING BOARDS	• WAVEFORMS
• MOUNTED PARTS LOCATION	• CIRCUIT BOARDS LOCATION
	• FLEXIBLE BOARDS LOCATION

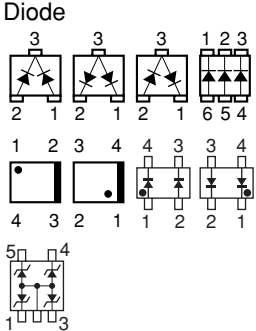
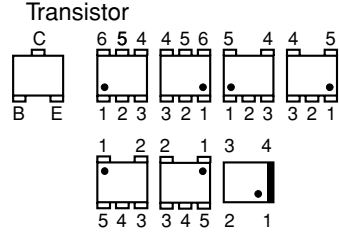
4-3. PRINTED WIRING BOARDS

THIS NOTE IS COMMON FOR WIRING BOARDS
(In addition to this, the necessary note is printed in each block)

(For printed wiring boards)

-  : Uses unleaded solder.
-  : Pattern from the side which enables seeing.
 (The other layers' patterns are not indicated)
- Through hole is omitted.
- Circled numbers refer to waveforms.
- There are a few cases that the part printed on diagram isn't mounted in this model.
-  : panel designation


• Chip parts.

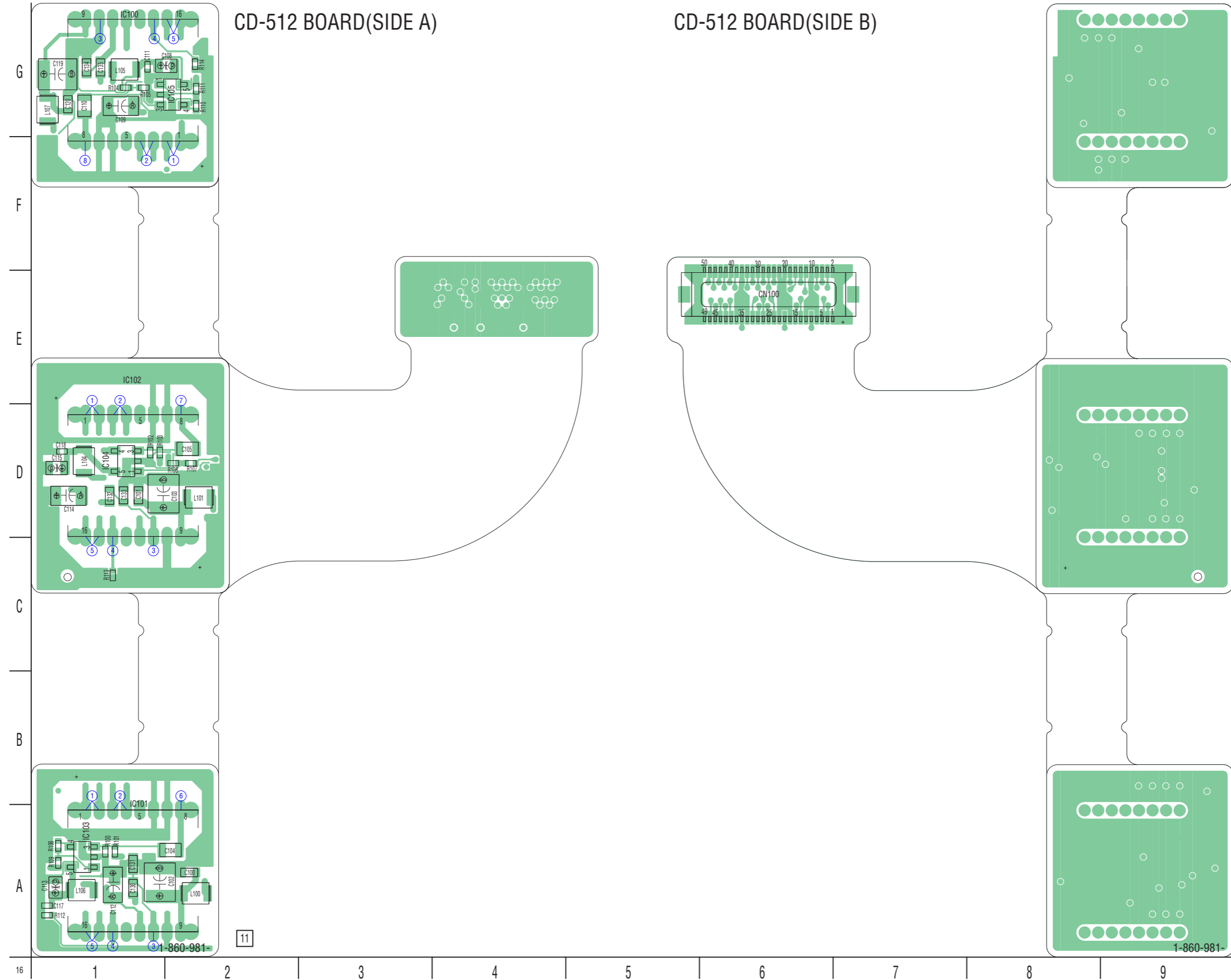



BOARD INFORMATION

board name	waveform (shown on page)	parts location (shown on page)	pattern		CSP IC
			number of layers	layers not shown	
CD-512	4-119	4-124	4	2 to 3	—
JK-267	—	4-124	4	2 to 3	—
CK-140	—	4-124	6	2 to 5	—
PD-217	4-119	4-124	4	2 to 4	—
FP-194	—	—	1	—	—
LA-028	—	4-125	6	2 to 5	—
SE-147	—	4-125	6	2 to 5	—
FP-188	—	—	1	—	—
FP-189	—	—	1	—	—
MS-209	—	4-125	4	2 to 3	—
KP-013	—	4-125	6	2 to 5	—
MK-016	—	4-125	6	2 to 5	—
FK-088	—	4-125	6	2 to 5	—
MI-050	—	4-125	6	2 to 5	—
FT-092	—	4-125	6	2 to 5	—
LB-100	4-120	4-126	4	2 to 3	—
HL-013	4-120	4-126	6	2 to 6	—
FP-196	—	—	1	—	—
MA-430	—	4-126	4	2 to 3	—
DD-216	4-120	4-126	6	2 to 5	—
ZM-030	—	4-126	6	2 to 5	—
RM-091	—	4-126	4	2 to 3	—
FP-594	—	—	1	—	—
VC-358	4-121 to 123	4-127, 128	8	2 to 7	IC301, 361, 501, 1104, 1403, 1407, 1408, 1409

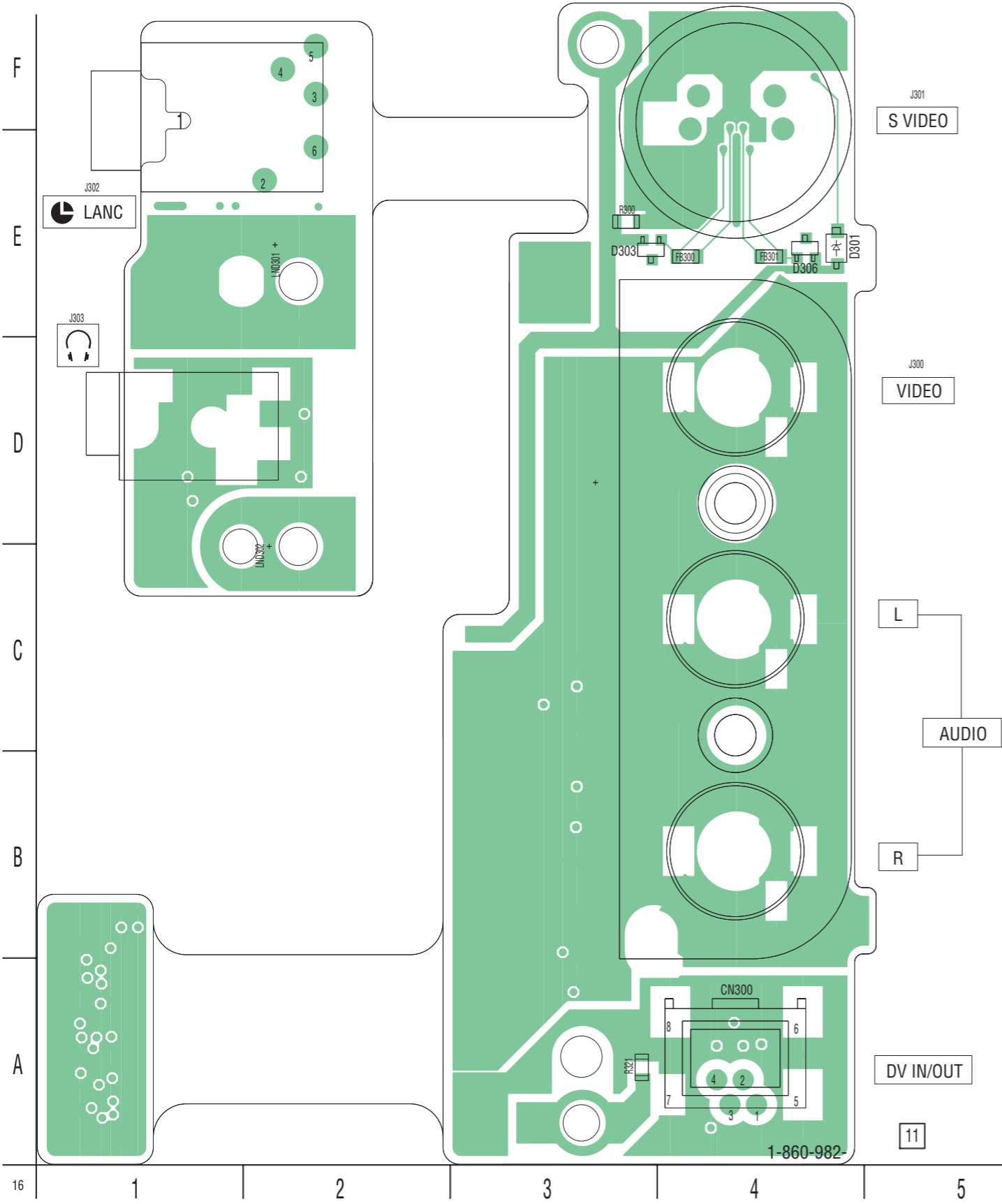
4-3. PRINTED WIRING BOARDS

• Refer to page 4-79 for common note for printed wiring board. •  : Uses unleaded solder.

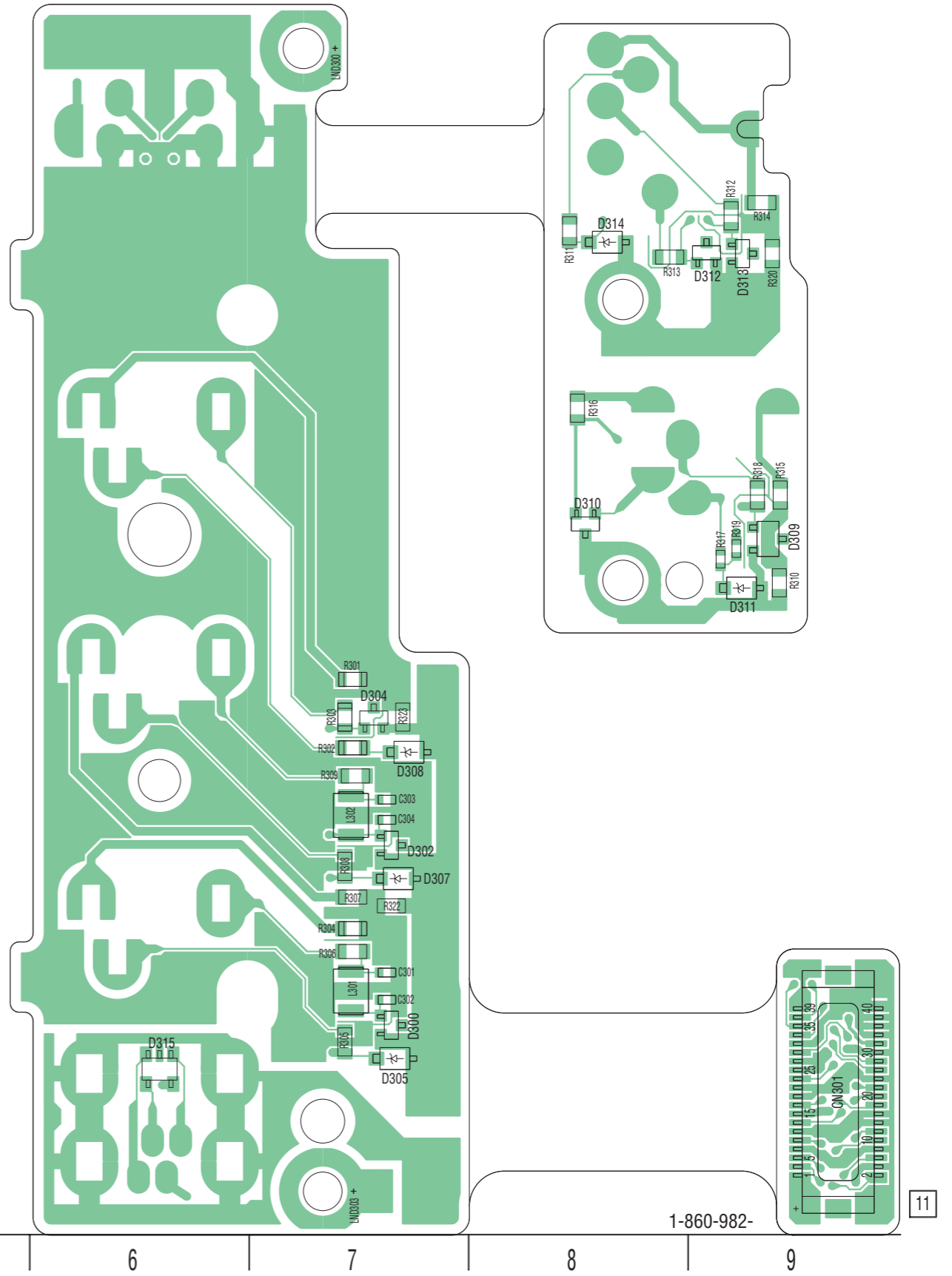


Refer to page 4-79 for common note for printed wiring board.  : Uses unleaded solder.

JK-267 BOARD(SIDE A)



JK-267 BOARD(SIDE B)




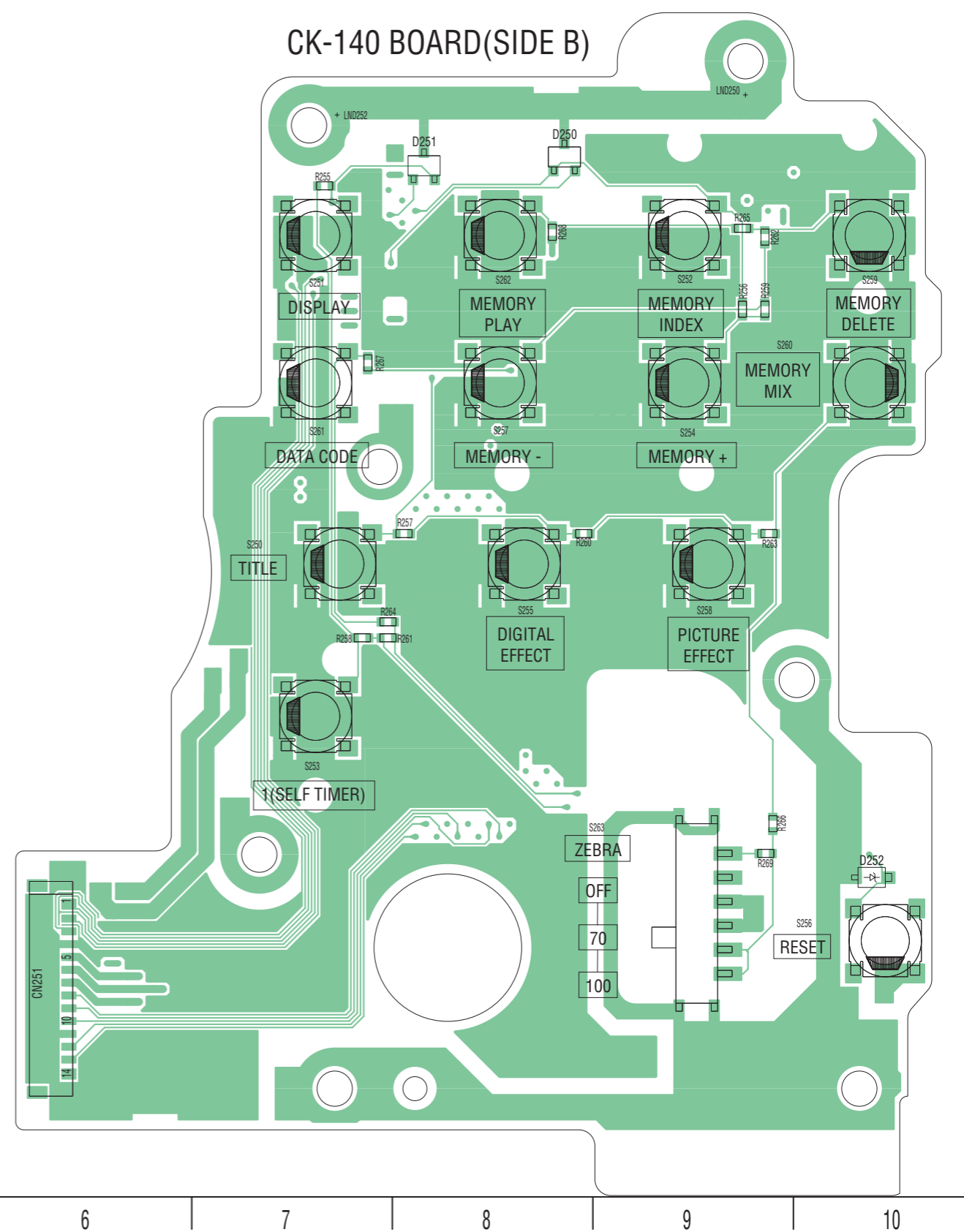
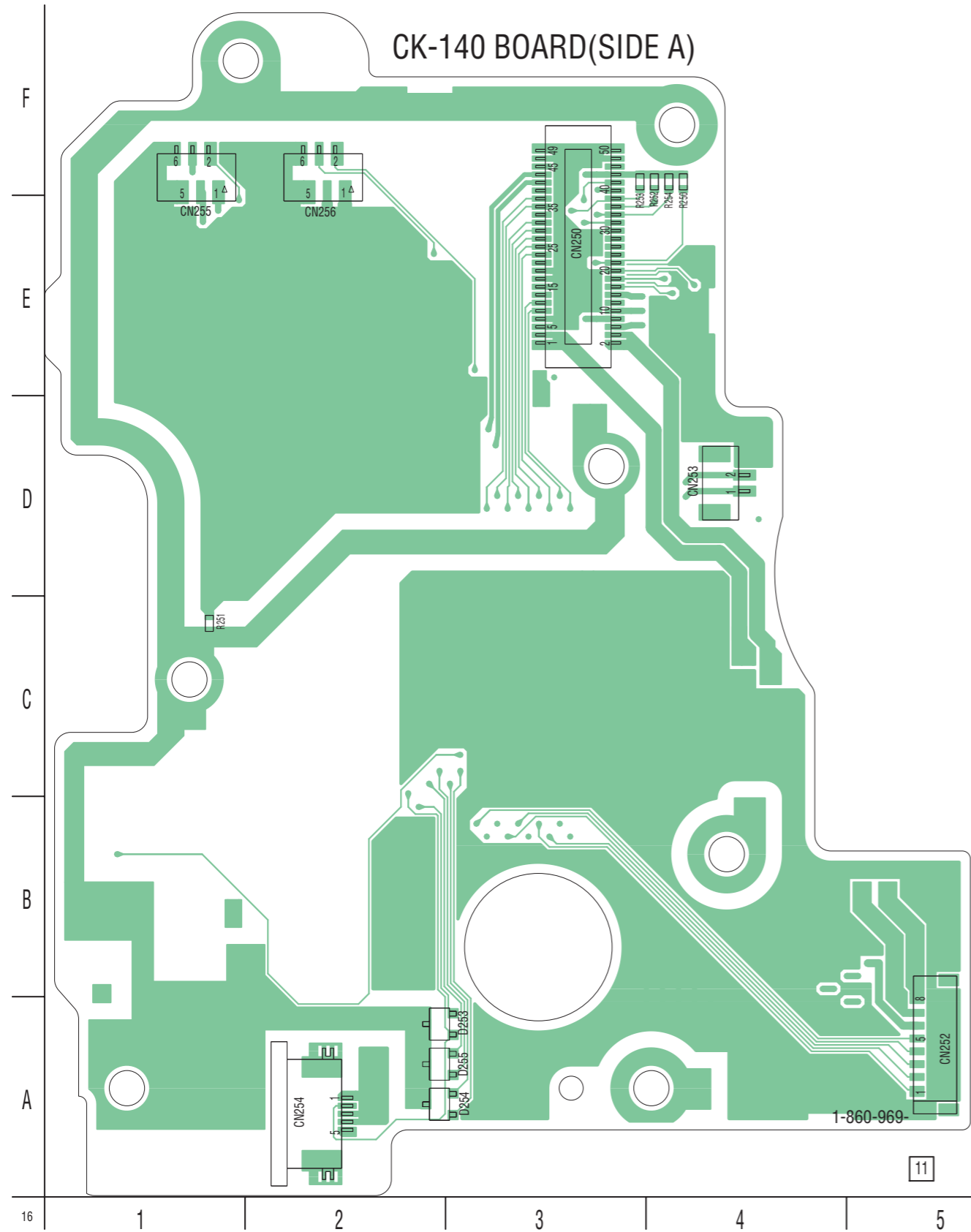
4-2. SCHEMATIC DIAGRAMS

4-3. PRINTED WIRING BOARDS


MOUNTED PARTS LOCATION

• Refer to page 4-79 for common note for printed wiring board.

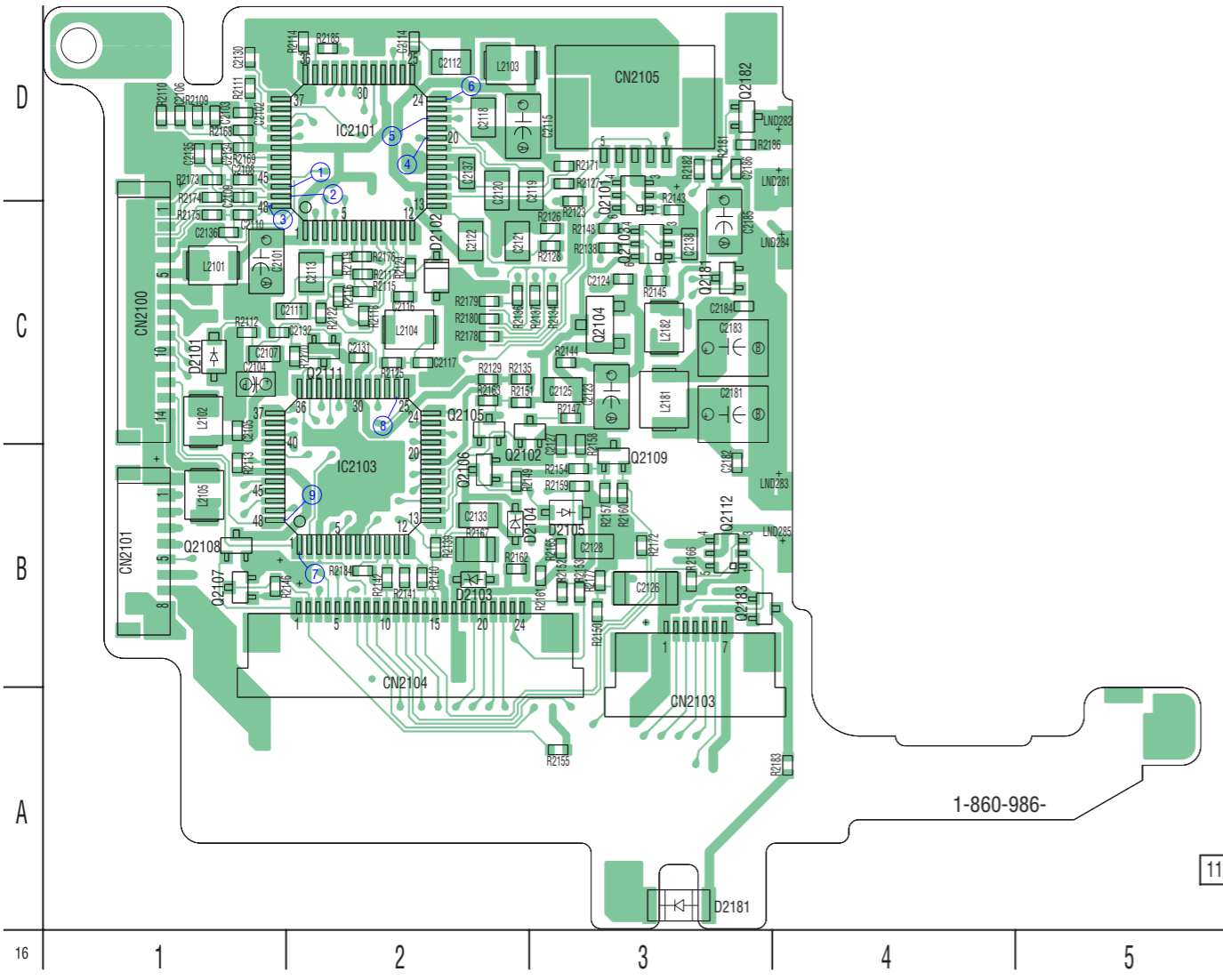
•  : Uses unleaded solder.



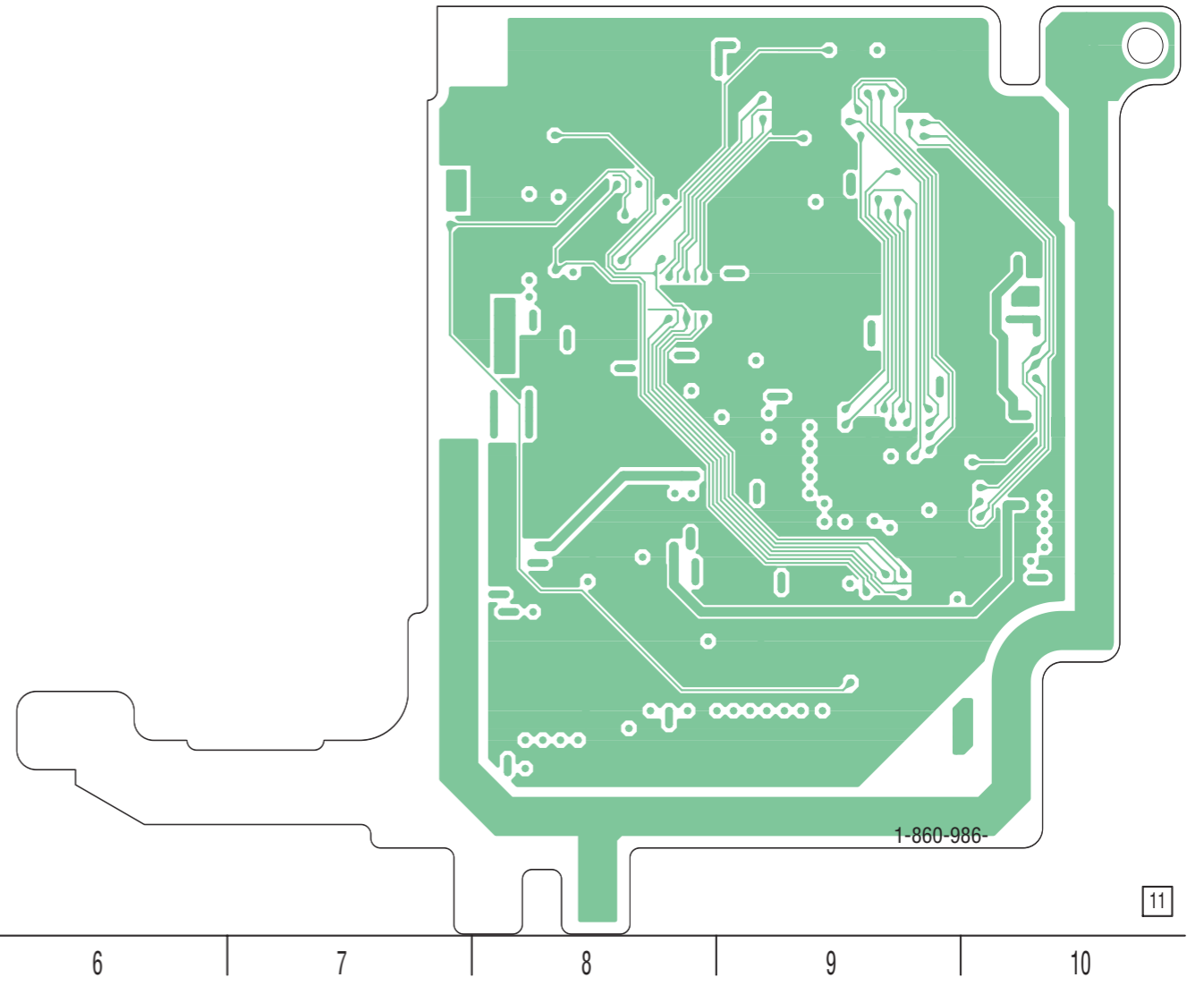
Refer to page 4-79 for common note for printed wiring board.

•  : Uses unleaded solder.

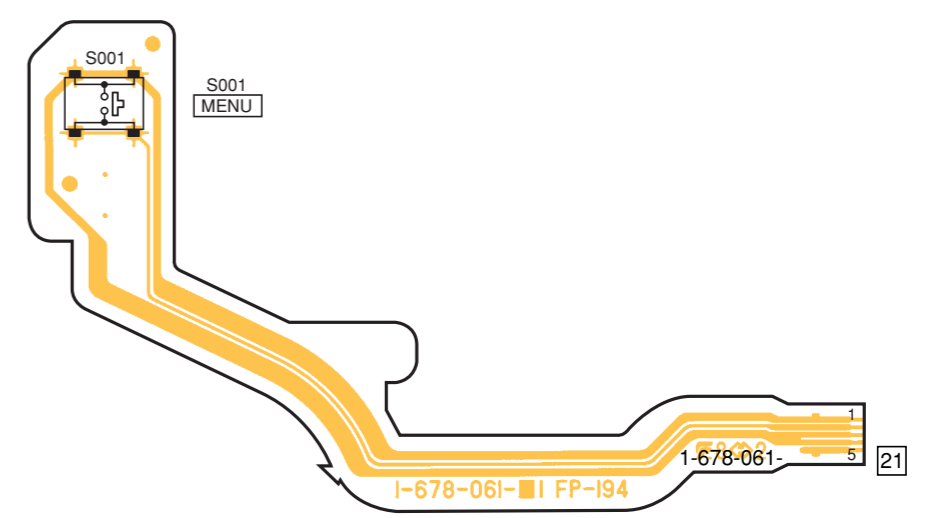
PD-217 BOARD(SIDE A)



PD-217 BOARD(SIDE B)



FP-194 FLEXIBLE BOARD




4-2. SCHEMATIC DIAGRAMS

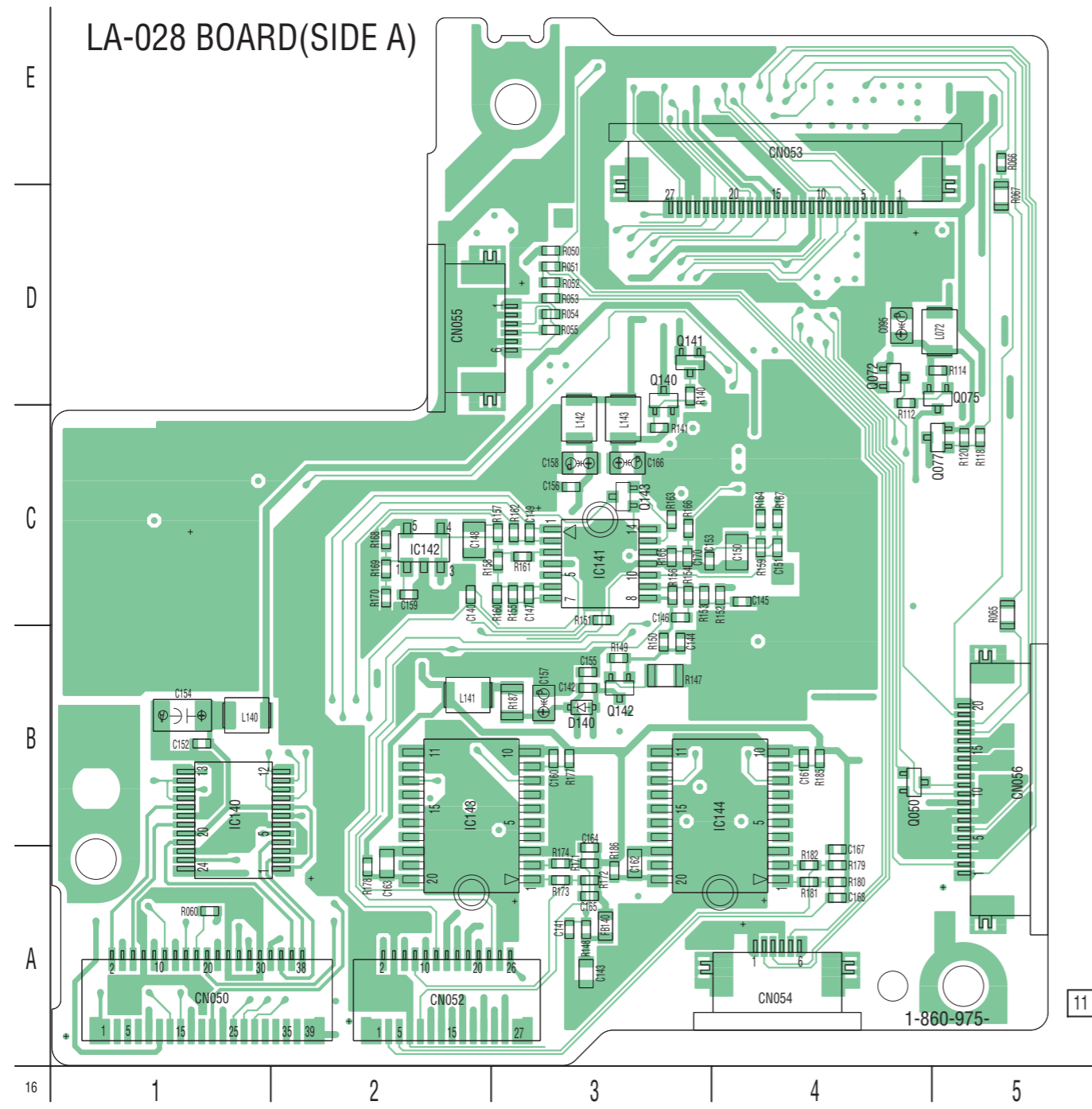
4-3. PRINTED WIRING BOARDS

MOUNTED PARTS LOCATION

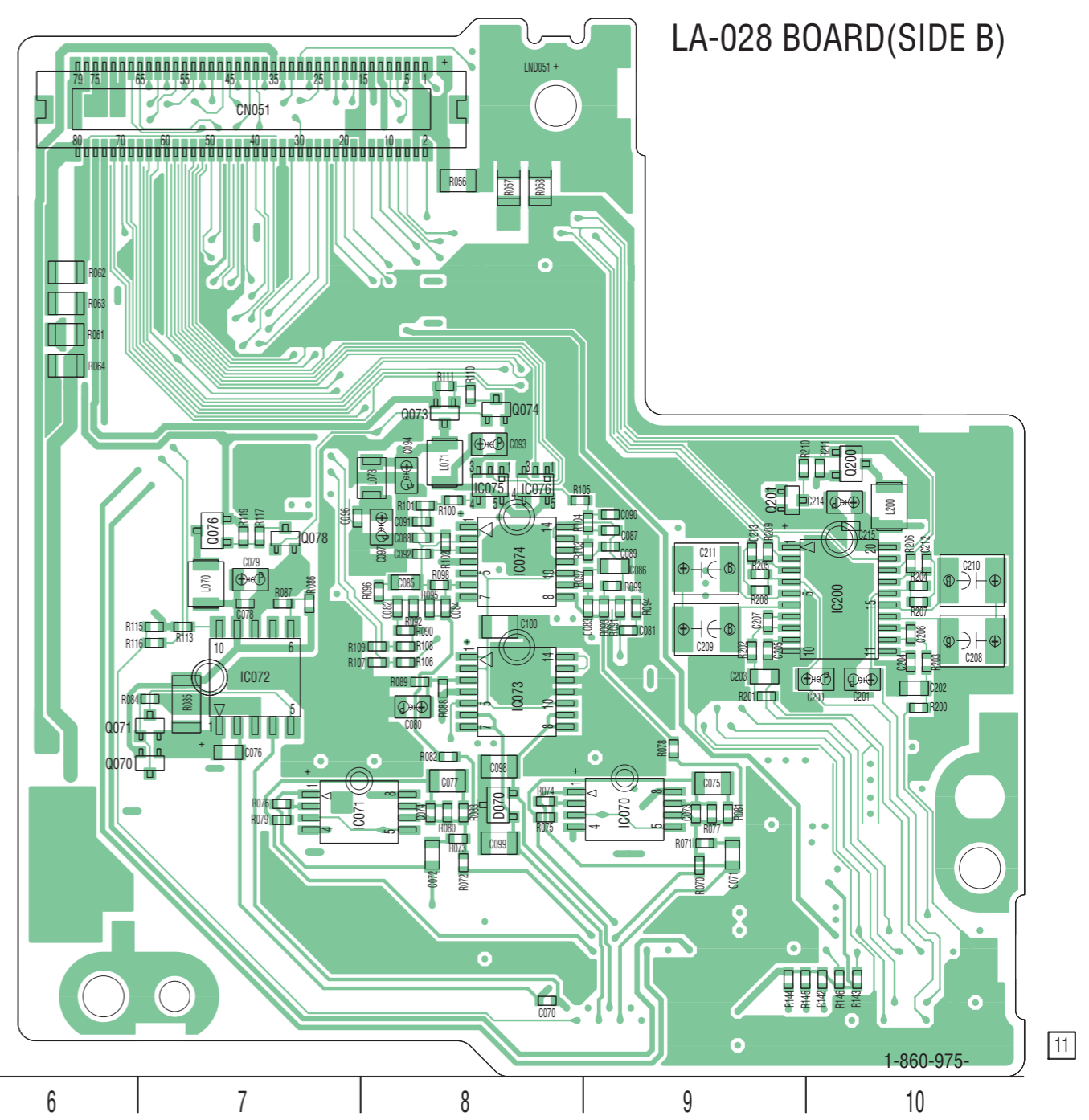
• Refer to page 4-79 for common note for printed wiring board.

•  : Uses unleaded solder.

LA-028 BOARD(SIDE A)




LA-028 BOARD(SIDE B)



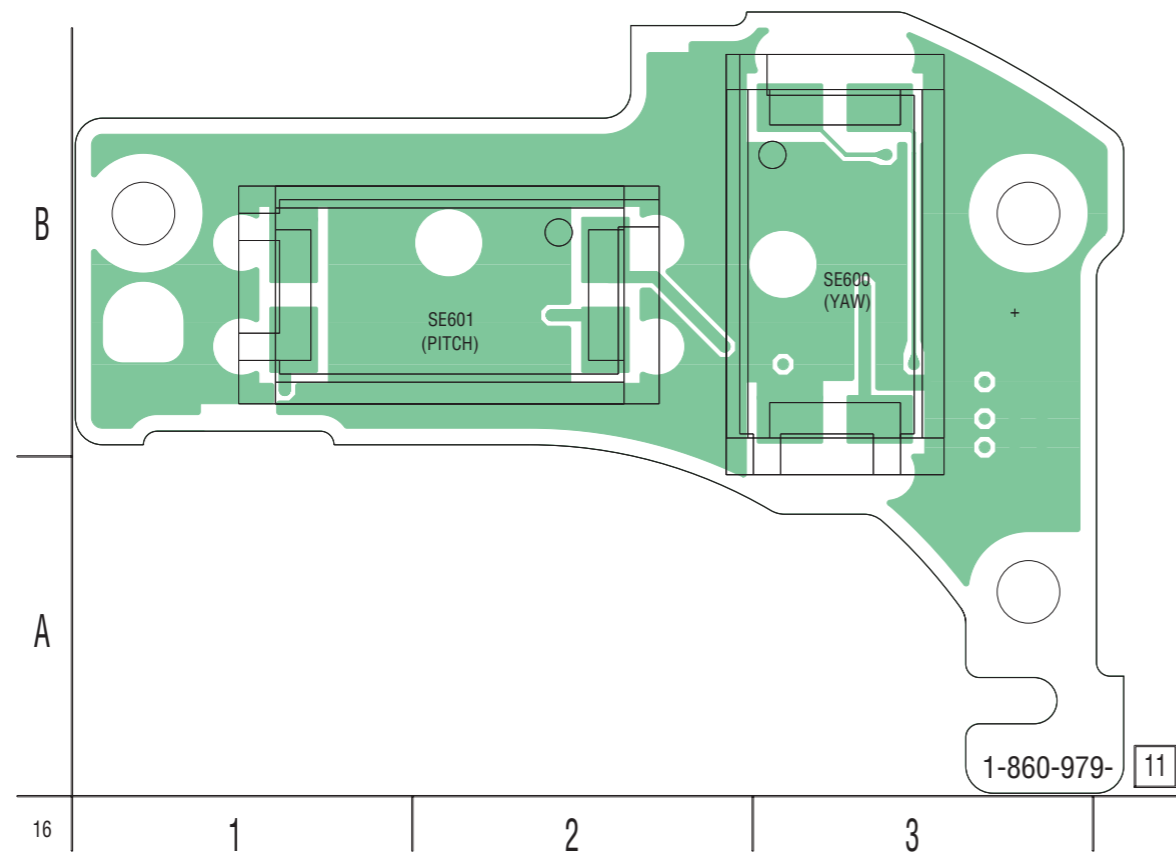
4-2. SCHEMATIC DIAGRAMS

4-3. PRINTED WIRING BOARDS

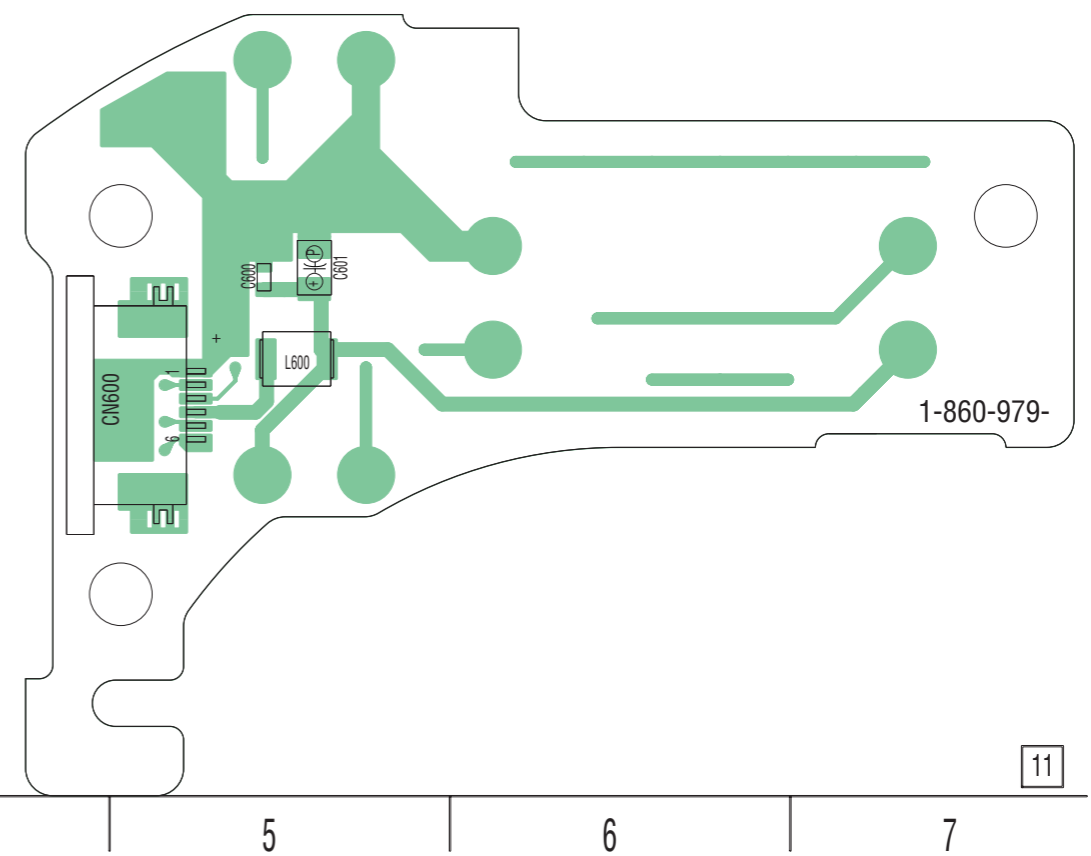
MOUNTED PARTS LOCATION

• Refer to page 4-79 for common note for printed wiring board.
 •  : Uses unleaded solder.

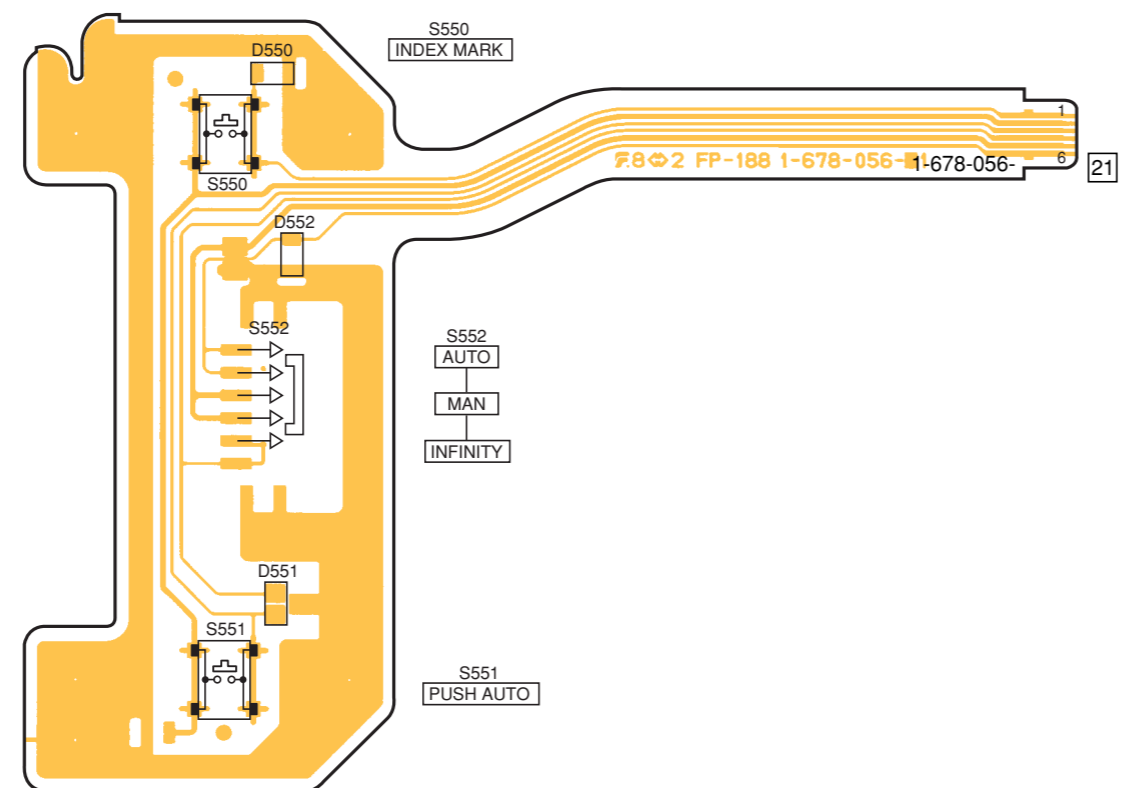
SE-147 BOARD(SIDE A)



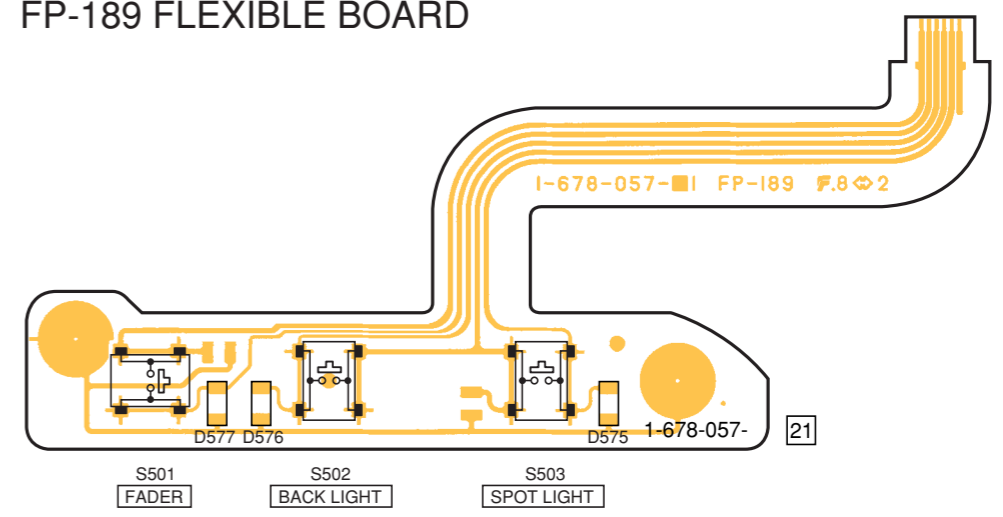
SE-147 BOARD(SIDE B)




FP-188 FLEXIBLE BOARD



FP-189 FLEXIBLE BOARD

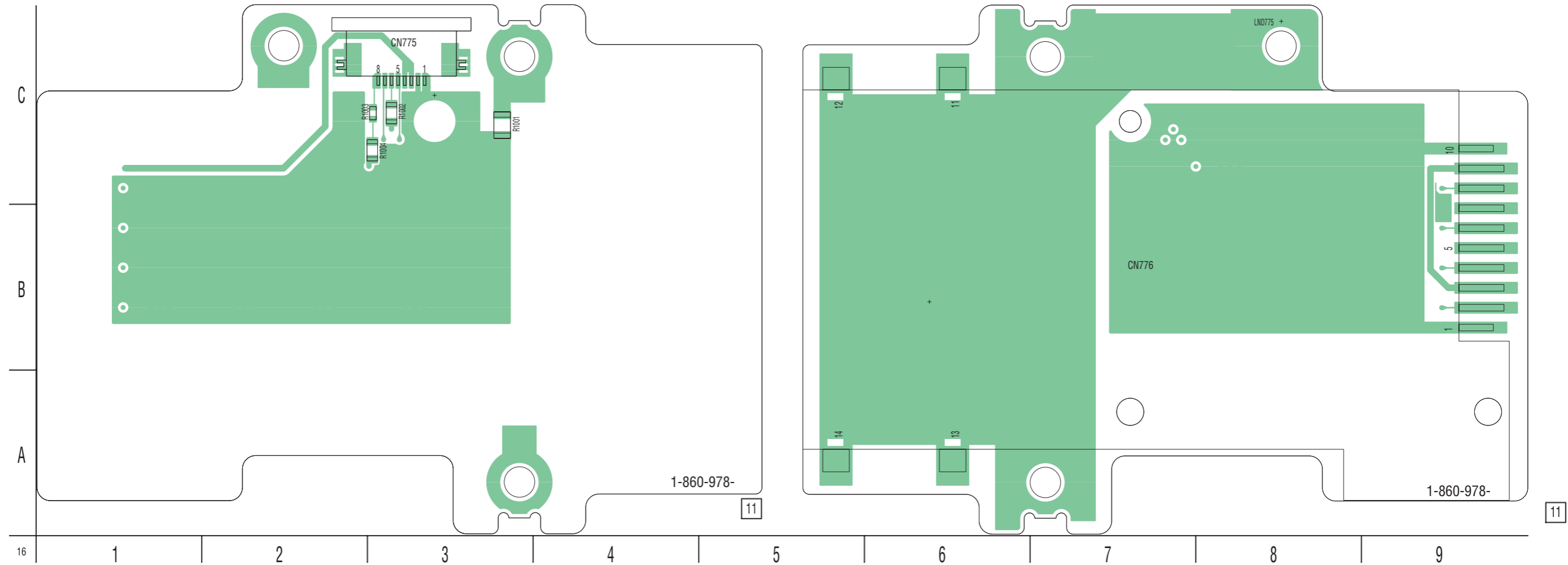


• Refer to page 4-79 for common note for printed wiring board.

•  : Uses unleaded solder.

MS-209 BOARD(SIDE A)


MS-209 BOARD(SIDE B)



4-2. SCHEMATIC DIAGRAMS

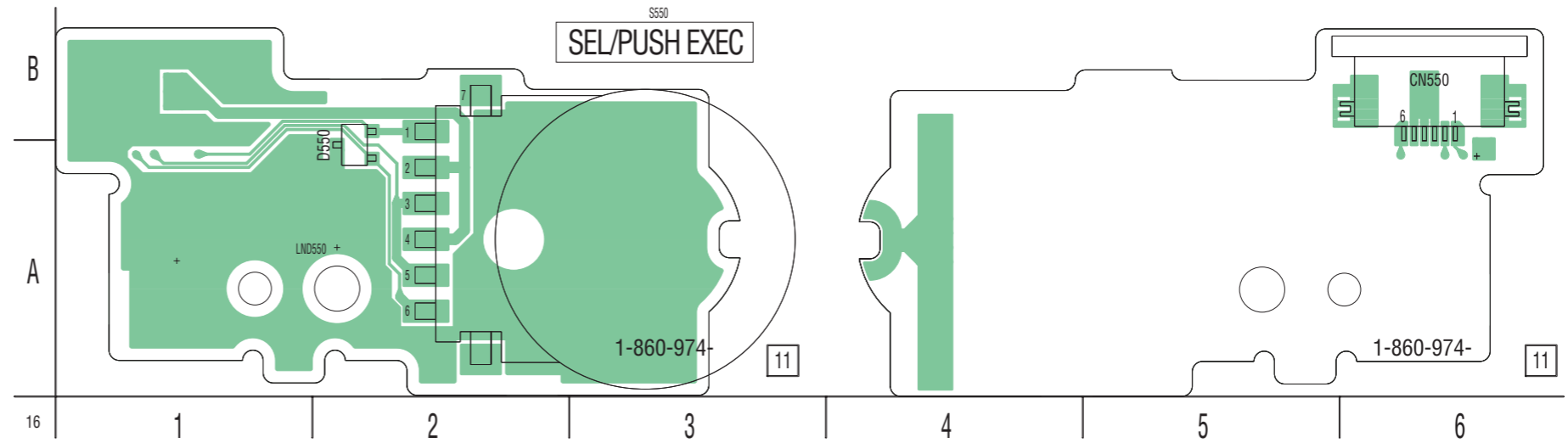
4-3. PRINTED WIRING BOARDS

MOUNTED PARTS LOCATION

• Refer to page 4-79 for common note for printed wiring board.
 •  : Uses unleaded solder.

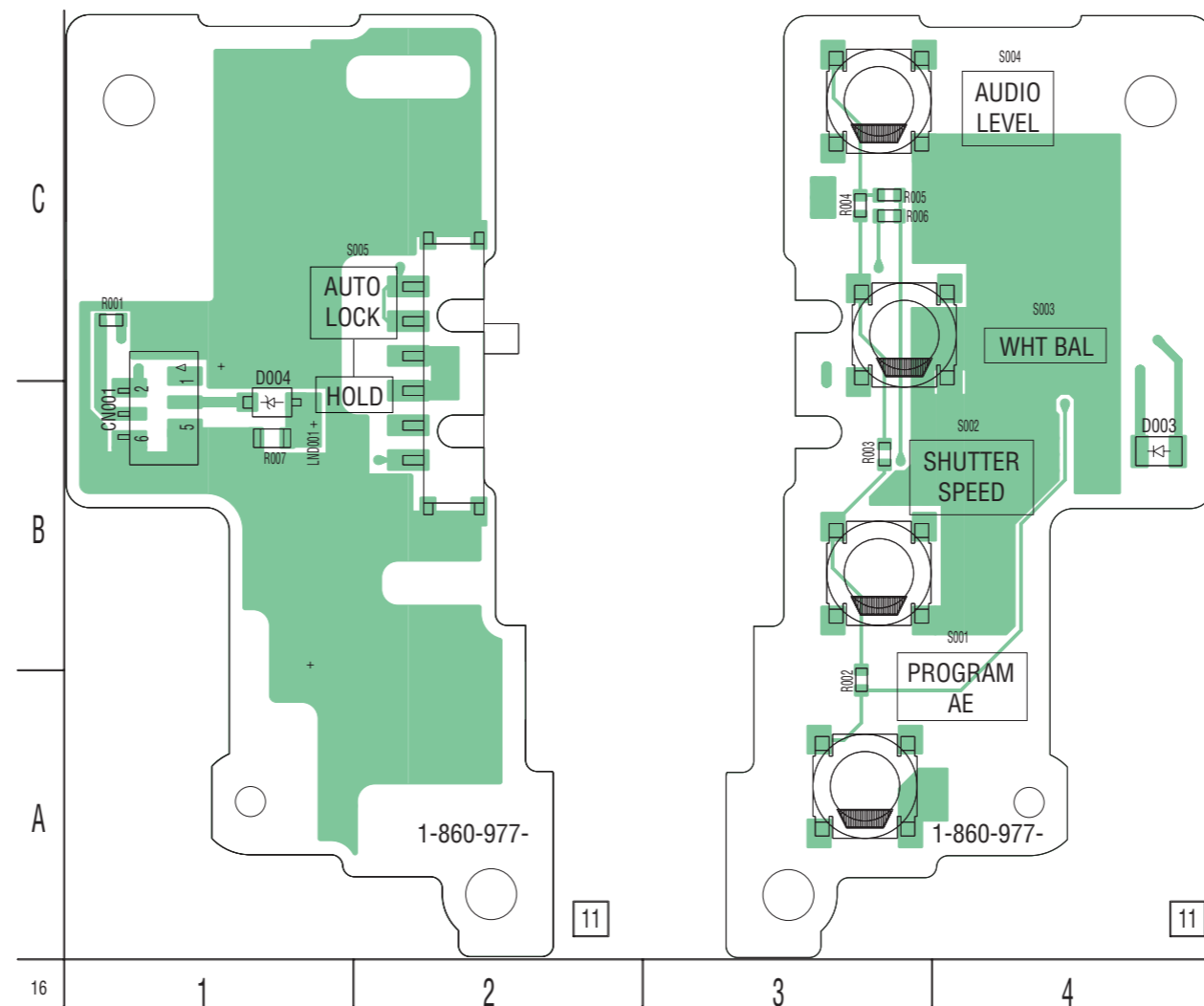
KP-013 BOARD(SIDE A)

KP-013 BOARD(SIDE B)




MK-016 BOARD (SIDE A)

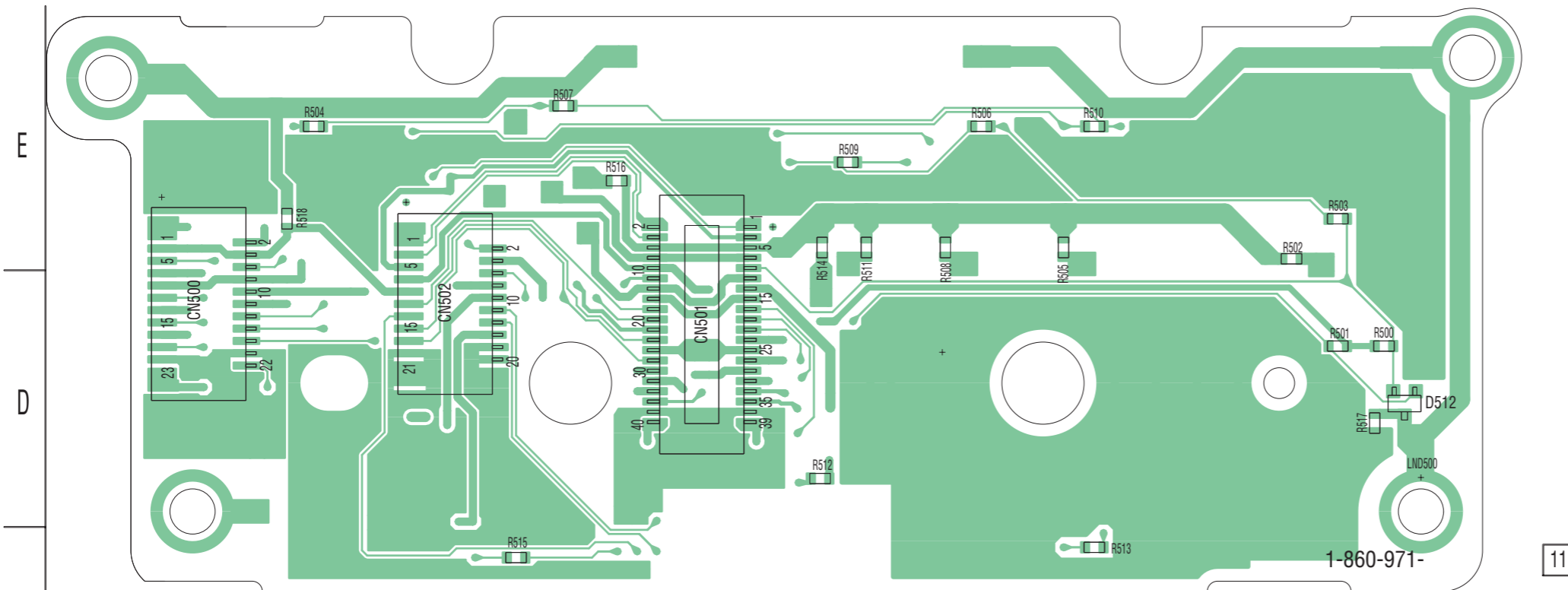
MK-016 BOARD (SIDE B)



• Refer to page 4-79 for common note for printed wiring board.

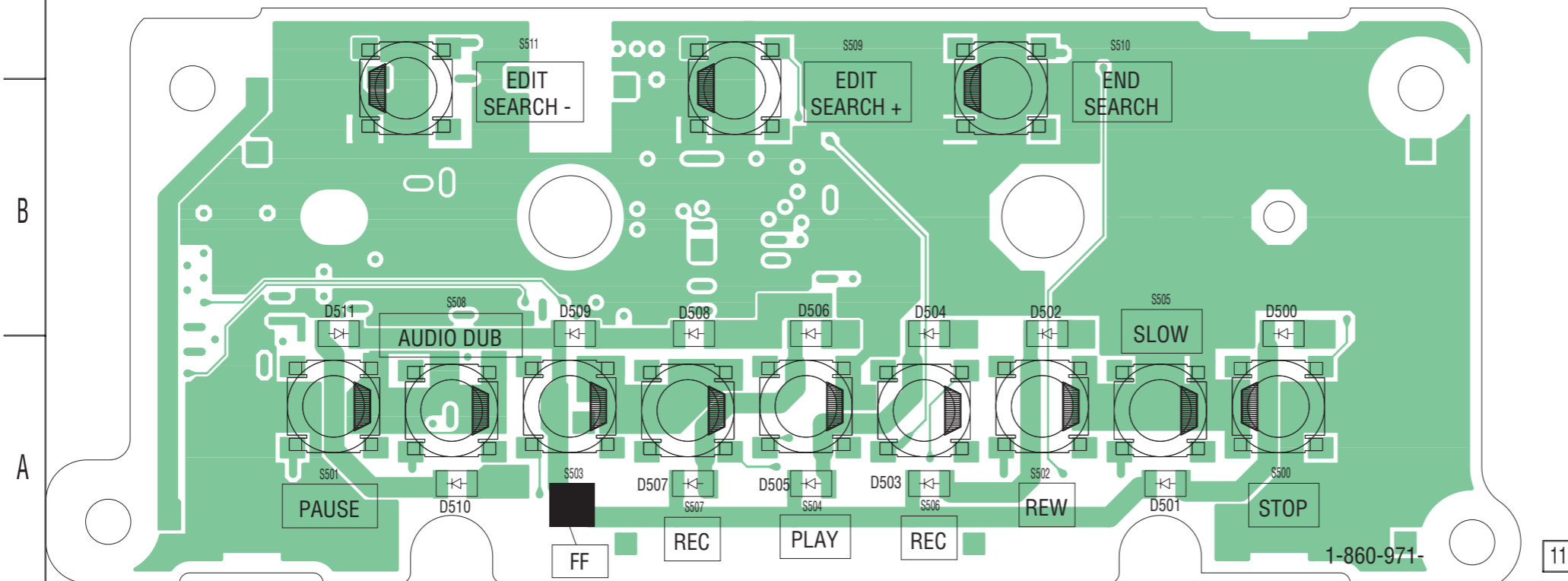
•  : Uses unleaded solder.

FK-088 BOARD(SIDE A)



11


FK-088 BOARD(SIDE B)



11

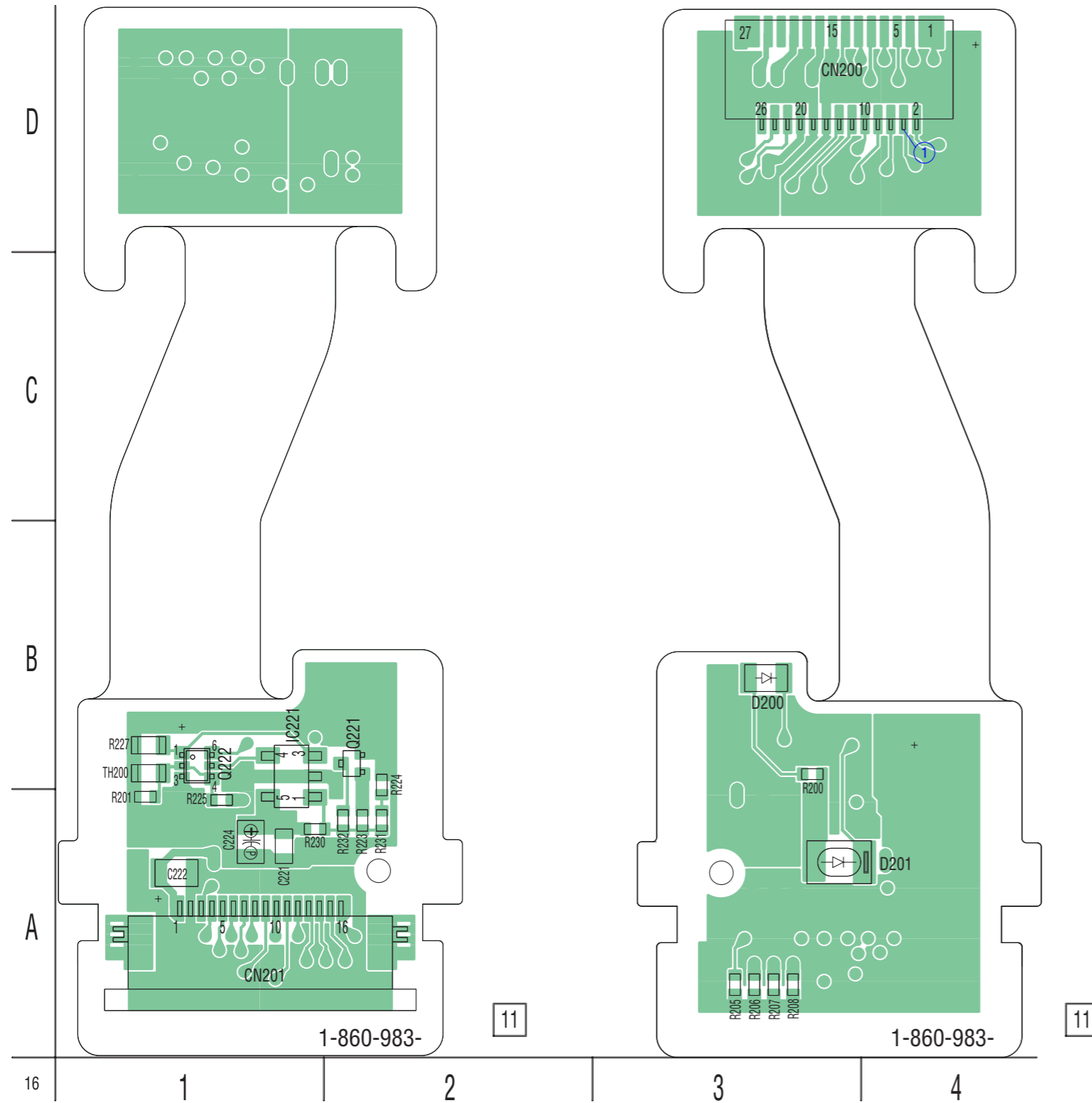
16 1 2 3 4 5 6

• Refer to page 4-79 for common note for printed wiring board.

•  : Uses unleaded solder.

LB-100 BOARD (SIDE A)

LB-100 BOARD (SIDE B)



16


1

2

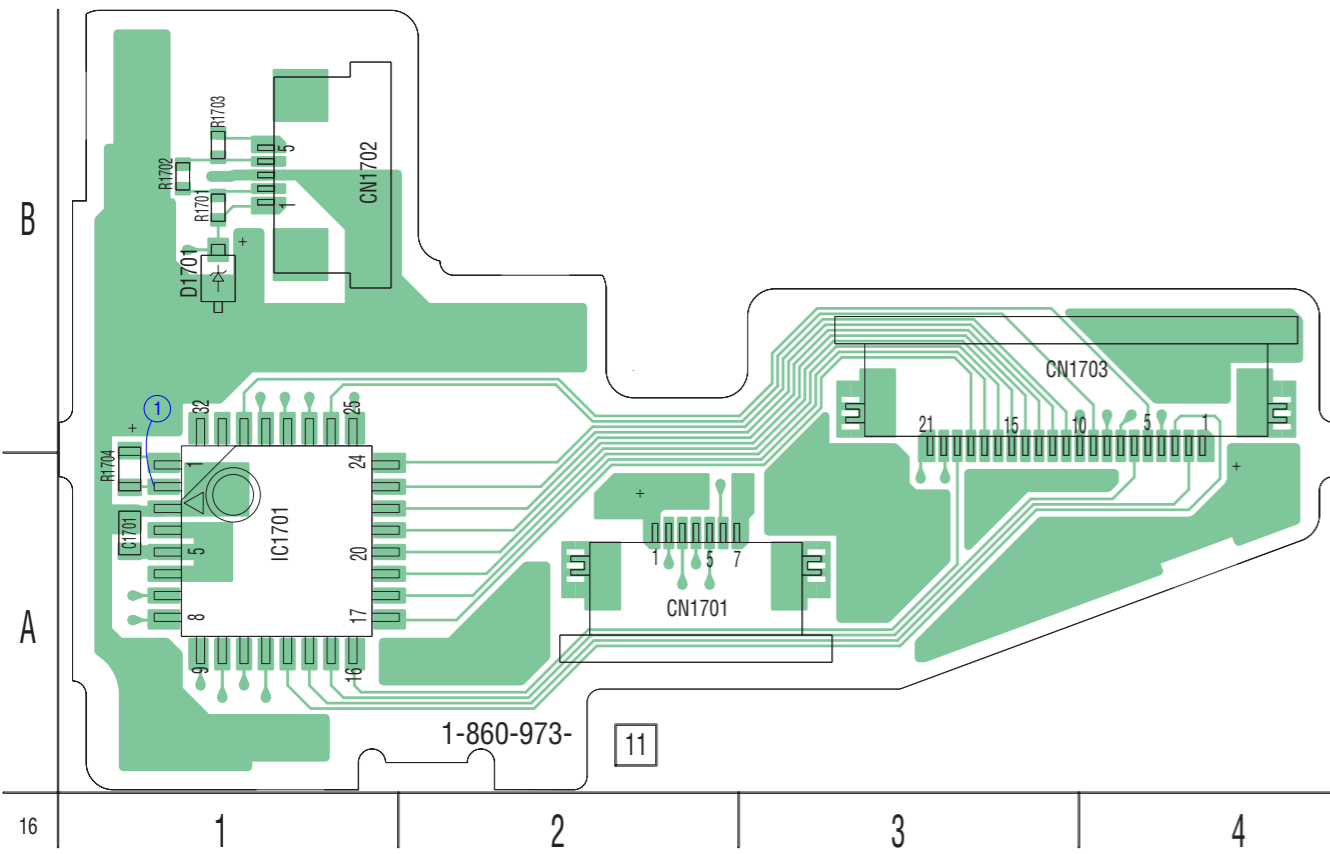
3

4

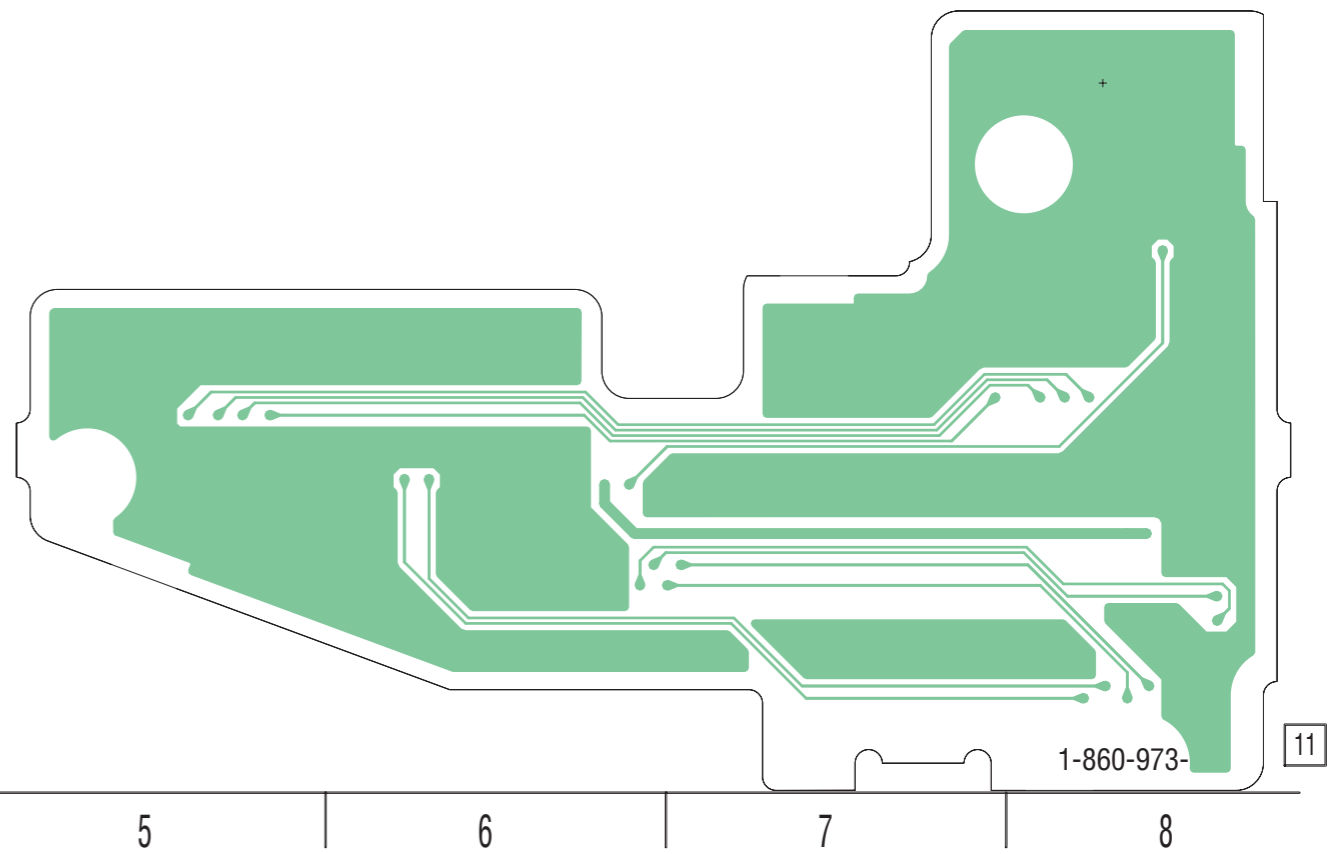
• Refer to page 4-79 for common note for printed wiring board.

•  : Uses unleaded solder.

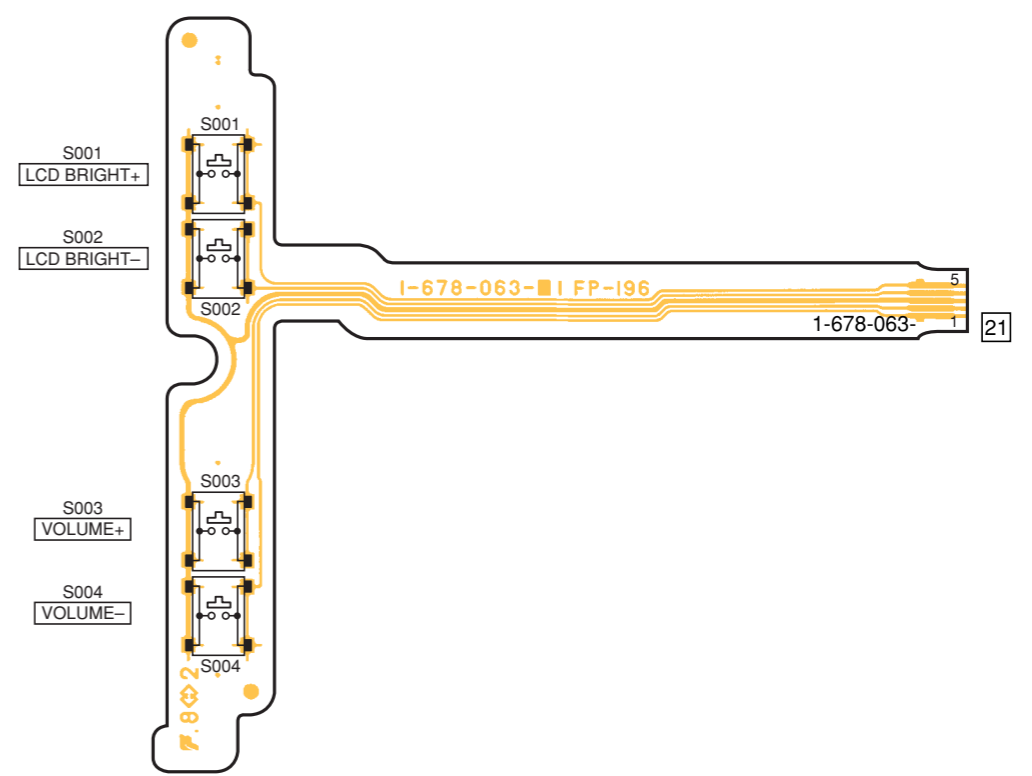
HL-013 BOARD(SIDE A)




HL-013 BOARD(SIDE B)



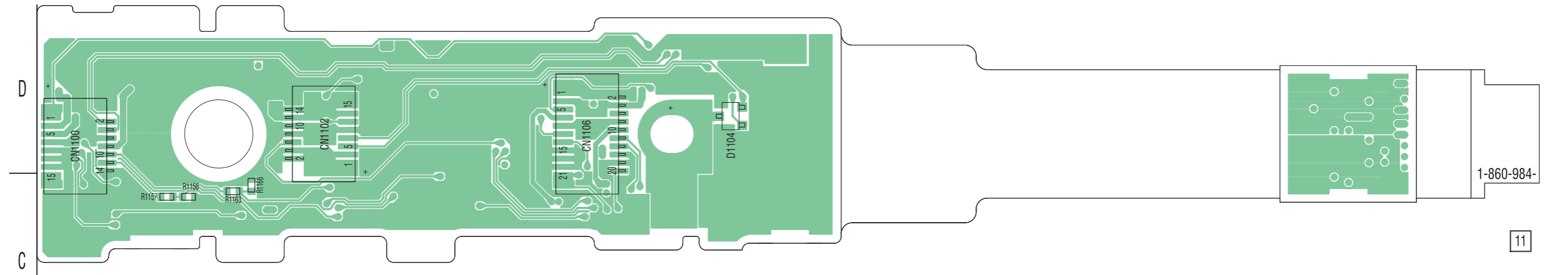
FP-196 FLEXIBLE BOARD



• Refer to page 4-79 for common note for printed wiring board.

•  : Uses unleaded solder.

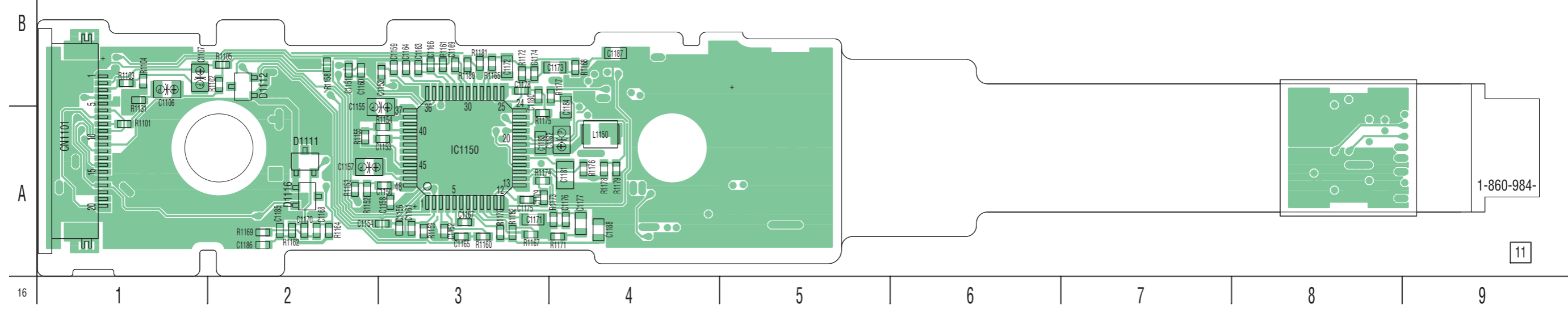
MA-430 BOARD(SIDE A)



1-860-984-

11

MA-430 BOARD(SIDE B)



1-860-984-

11

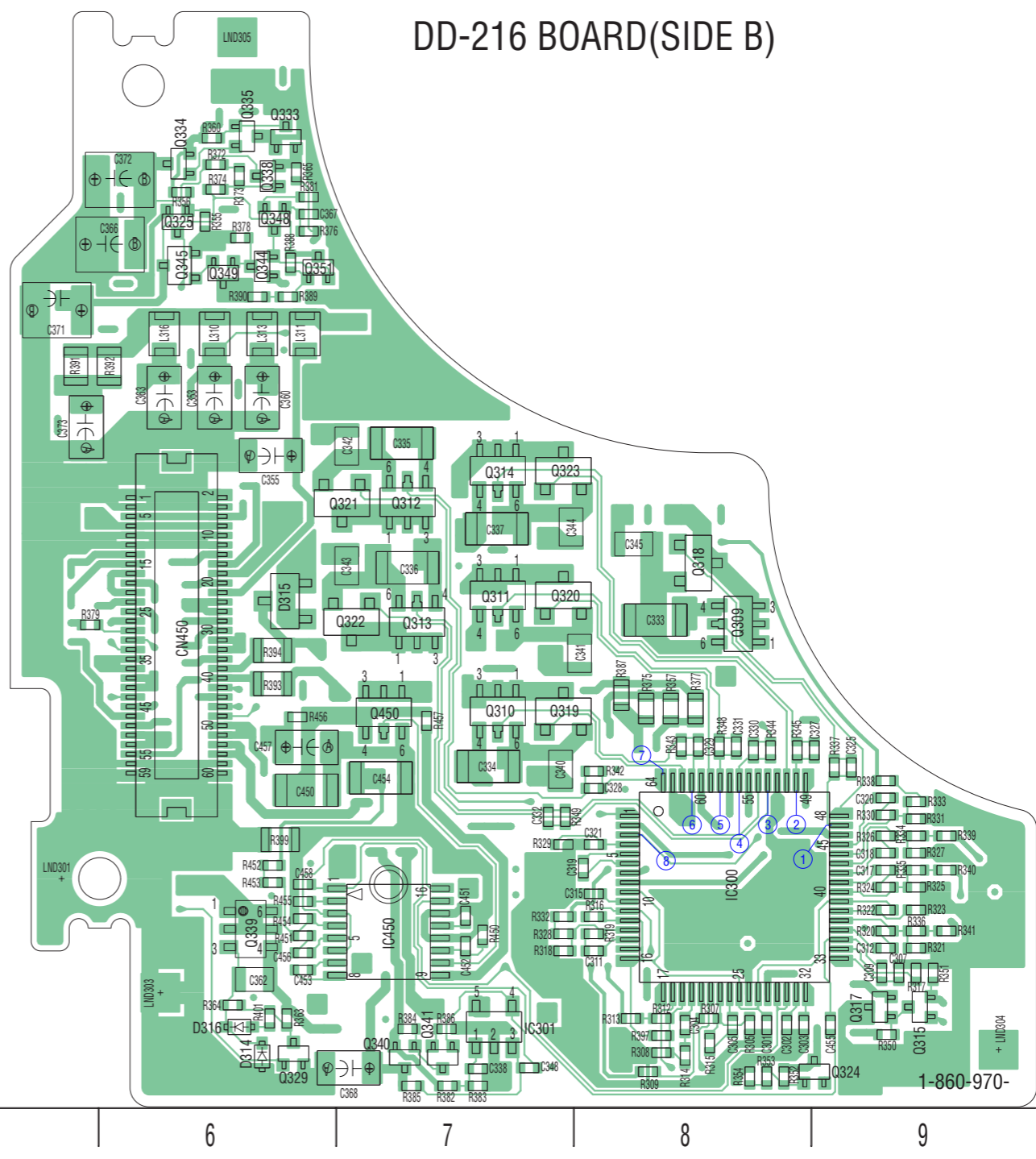
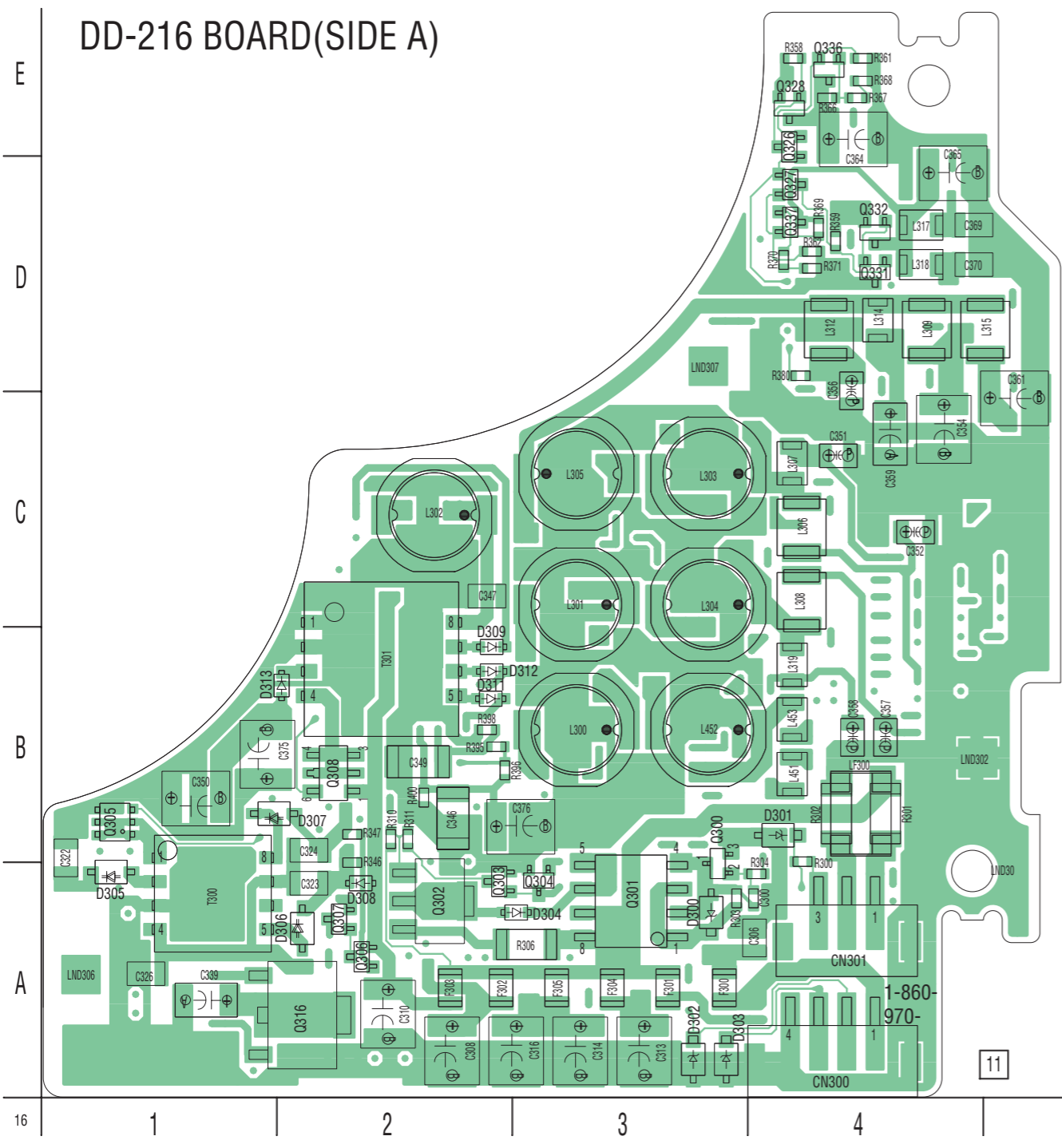
4-2. SCHEMATIC DIAGRAMS

4-3. PRINTED WIRING BOARDS


MOUNTED PARTS LOCATION

Refer to page 4-79 for common note for printed wiring board.

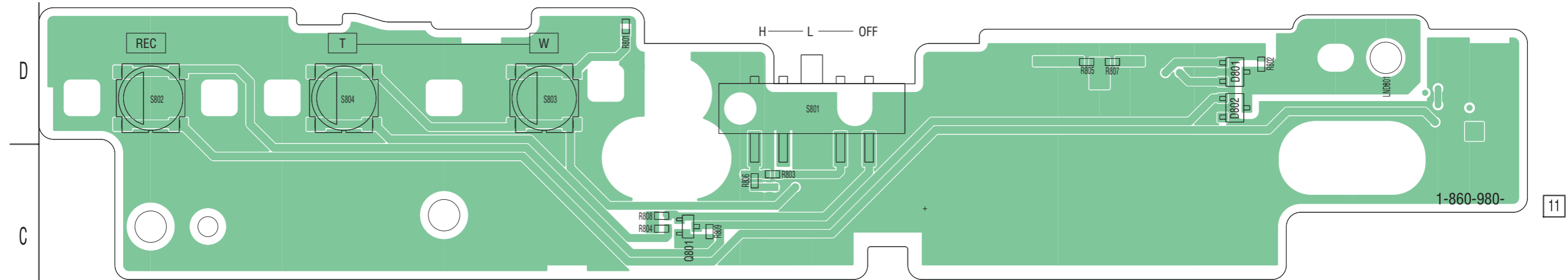
LF : Uses unleaded solder.



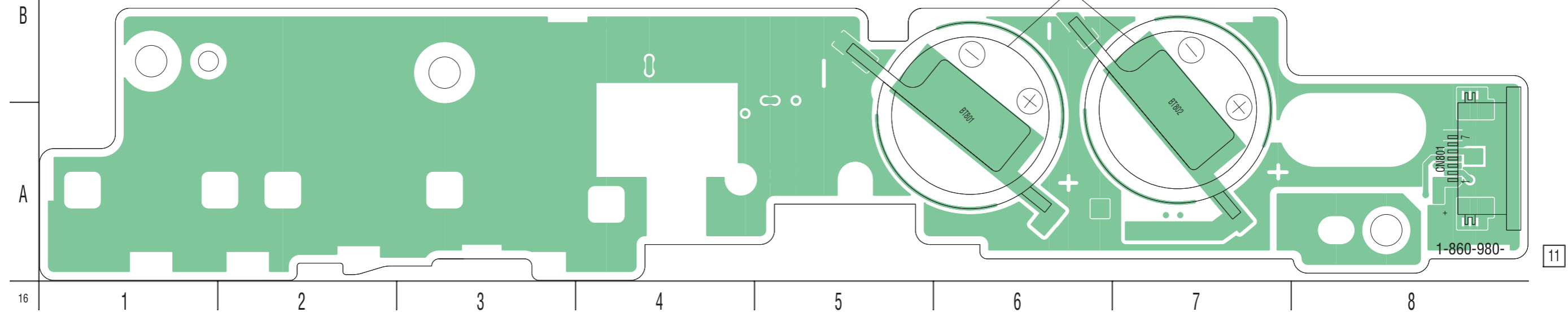
• Refer to page 4-79 for common note for printed wiring board.

•  : Uses unleaded solder.

ZM-030 BOARD(SIDE A)




ZM-030 BOARD(SIDE B)

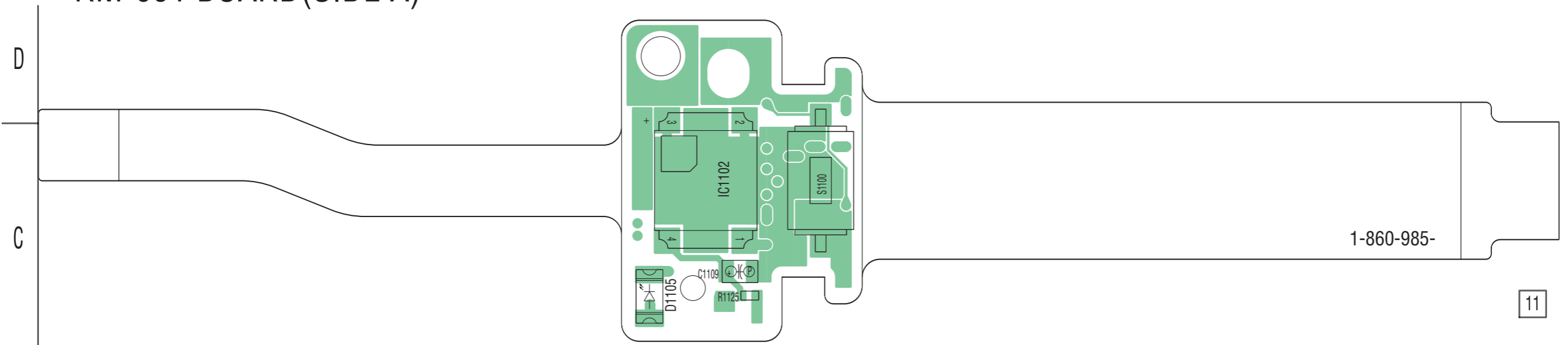


CAUTION :
 Danger of explosion if battery is incorrectly replaced.
 Replace only with the same or equivalent type.

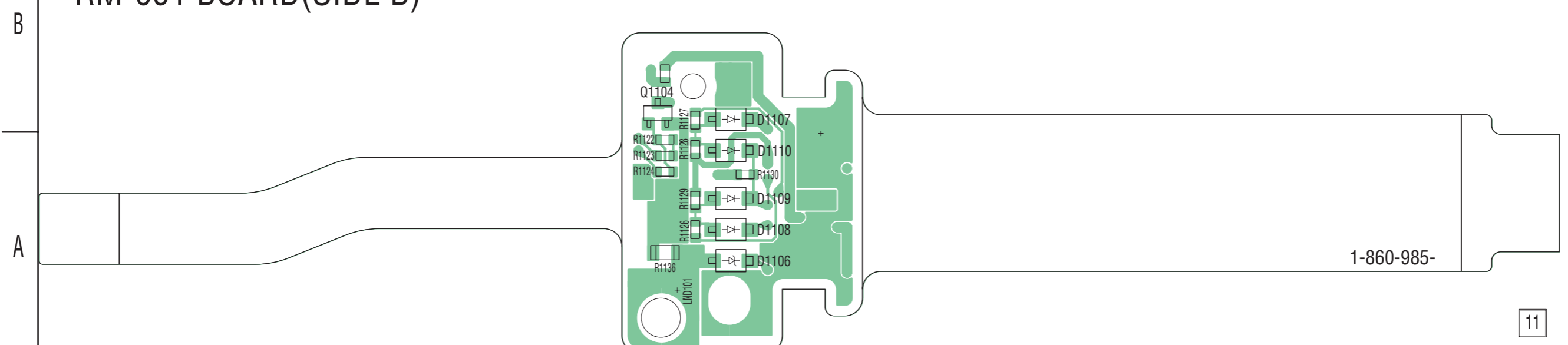
• Refer to page 4-79 for common note for printed wiring board.

•  : Uses unleaded solder.

RM-091 BOARD(SIDE A)



RM-091 BOARD(SIDE B)

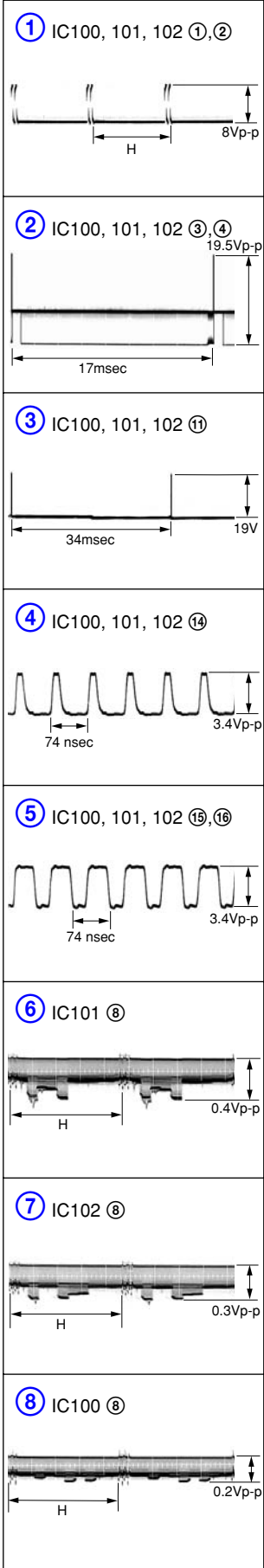


Printed wiring boards of the FP-594 and VC-358 board are not shown.
Pages from 4-113 to 4-118 are not shown.

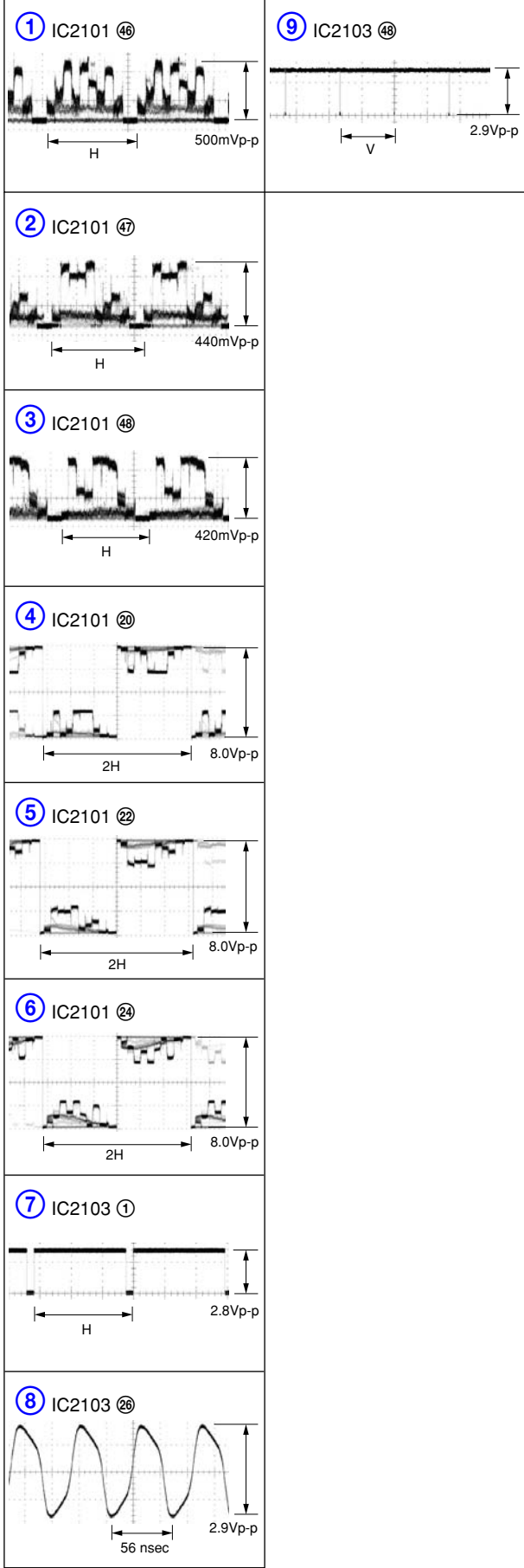
CD-512 BOARD PD-217 BOARD

4-4. WAVEFORMS

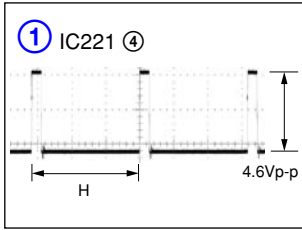
CD-512 BOARD REC



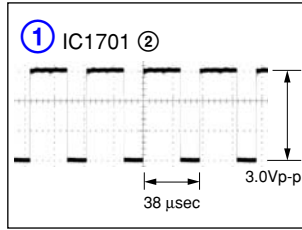
PD-217 BOARD REC/PB



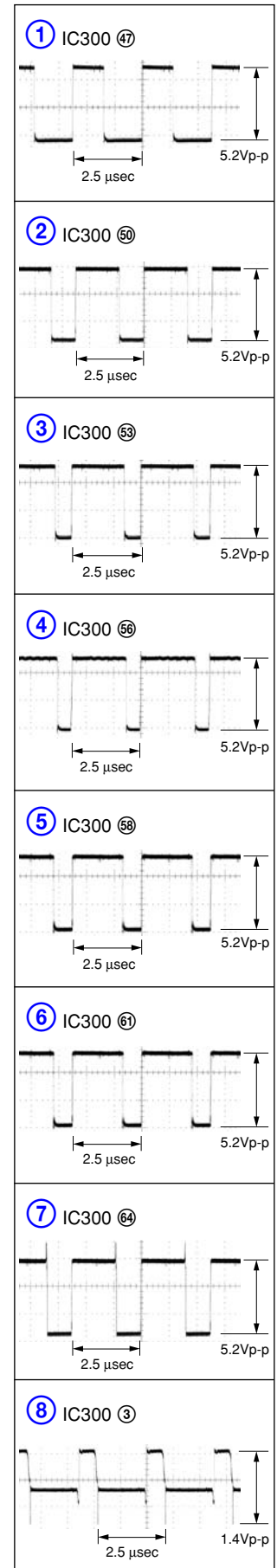
LB-100 BOARD
REC/PB



HL-013 BOARD
REC/PB



DD-216 BOARD (1/2)
CAMERA REC



Waveforms of the VC-358 board are not shown.
Pages from 4-121 to 4-123 are not shown.

4-3. PRINTED WIRING BOARDS

4-5. MOUNTED PARTS LOCATION

CD-512 BOARD		JK-267 BOARD		CK-140 BOARD		PD-217 BOARD	
C100	A-2	* C301	B-7	CN250	E-3	C2101	C-1
C101	D-1	* C302	B-7	* CN251	B-6	C2102	D-1
C102	A-2	* C303	C-7	CN252	A-5	C2103	D-1
C103	D-2	* C304	B-7	CN253	D-4	C2104	C-1
C104	A-2			CN254	A-2	C2105	C-1
C105	D-2	CN300	A-4	CN255	E-1	C2107	C-1
C108	G-2	* CN301	A-9	CN256	E-2	C2108	D-1
C109	G-1					C2109	D-1
C110	G-1	* D300	A-7	* D250	F-8	C2110	C-1
C111	G-1	D301	E-4	* D251	F-8	C2111	C-2
C112	A-1	* D302	B-7	* D252	B-10	C2112	D-2
C113	A-1	D303	E-3	D253	A-3	C2113	C-2
C114	D-1	* D304	C-7	D254	A-3	C2114	D-2
C115	D-1	* D305	A-7	D255	A-3	C2115	D-3
C117	A-1	D306	E-4			C2116	C-2
C118	D-1	* D307	B-7	* R255	F-7	C2117	C-2
C119	G-1	* D308	C-7	* R256	E-9	C2118	D-2
C120	G-1	* D309	D-9	* R257	D-8	C2119	D-3
C130	A-1	* D310	D-8	* R258	C-7	C2120	D-2
C131	A-1	* D311	C-9	* R259	E-9	C2123	C-3
C132	D-1	* D312	E-9	* R260	D-8	C2124	C-3
C133	D-1	* D313	E-9	* R261	C-8	C2125	C-3
C134	G-1	* D314	E-8	* R262	E-9	C2126	B-3
C135	G-1			* R263	D-9	C2127	B-3
		FB300	E-4	* R264	C-7	C2128	B-3
* CN100	E-6	FB301	E-4	* R265	E-9	C2133	B-2
				* R266	B-9	C2181	C-3
IC100	G-1	J300	D-4	* R267	E-7	C2182	B-3
IC101	B-1	J301	F-5	* R268	E-8	C2183	C-3
IC102	E-1	J302	E-1	* R269	B-9	C2184	C-3
IC103	A-1	J303	E-1			C2185	C-3
IC104	D-1			* S250	D-7	C2186	D-3
IC105	G-2	* L301	B-7	* S251	E-7		
		* L302	B-7	* S252	E-9	CN2100	C-1
L100	A-2			* S253	C-7	CN2101	B-1
L101	D-2	R300	E-3	* S254	D-9	CN2103	A-3
L104	D-1	* R301	C-7	* S255	C-8	CN2104	B-2
L105	G-1	* R302	C-7	* S256	B-10	CN2105	D-3
L106	A-1	* R303	C-7	* S257	D-8		
L107	G-1	* R304	B-7	* S258	D-9	D2101	C-1
		* R305	A-7	* S259	E-10	D2102	C-2
R100	A-1	* R306	B-7	* S260	E-9	D2103	B-2
R101	A-1	* R307	B-7	* S261	D-7	D2104	B-2
R102	D-1	* R308	B-7	* S262	E-8	D2105	B-3
R103	D-1	* R309	C-7	* S263	B-9	D2181	A-3
R104	G-1	* R310	D-9				
R105	G-1	* R311	E-8			IC2101	D-2
R106	A-1	* R312	E-9			IC2103	B-2
R107	D-2	* R313	E-8				
R108	D-2	* R314	E-9			L2101	C-1
R109	A-1	* R315	D-9			L2102	C-1
R110	G-2	* R316	D-8			L2103	D-2
R111	G-2	* R317	D-9			L2104	C-2
R112	A-1	* R318	D-9			L2181	C-3
R113	C-1	* R319	D-9			L2182	C-3
R114	G-2	* R320	E-9				
		R321	A-3			Q2101	C-3
						Q2102	B-2
						Q2103	C-3
						Q2104	C-3
						Q2111	C-2
						Q2112	B-3
						Q2181	C-3
						Q2182	D-3
						Q2183	B-3
						R2111	D-1
						R2112	C-1
						R2113	B-1
						R2115	C-2
						R2116	C-2
						R2117	C-2
						R2118	C-2
						R2119	C-2
						R2122	C-2
						R2123	C-3
						R2124	C-2
						R2129	C-2
						R2134	C-3
						R2136	C-2
						R2137	C-3
						R2138	C-3
						R2143	D-3
						R2144	C-3
						R2146	B-1
						R2147	C-3
						R2148	C-3
						R2153	B-3
						R2157	B-3
						R2158	B-3
						R2159	B-3
						R2160	B-3
						R2162	B-2
						R2163	C-2
						R2165	B-3
						R2166	B-3
						R2168	D-1
						R2169	D-1
						R2170	C-2
						R2172	B-3
						R2173	D-1
						R2174	D-1
						R2175	C-1
						R2176	C-2
						R2181	D-3
						R2182	D-3
						R2183	A-4
						R2184	B-2

no mark : side A

* mark : side B

4-3. PRINTED WIRING BOARDS

LA-028 BOARD

* C070	A-8	* IC070	B-9
* C071	A-9	* IC071	B-7
* C072	A-8	* IC072	B-7
* C073	B-9	* IC073	B-8
* C074	B-8	* IC074	C-8
* C075	B-9	* IC075	C-8
* C076	B-7	* IC076	C-8
* C077	B-8	IC140	B-1
* C078	C-7	IC141	C-3
* C079	C-7	IC142	C-2
* C080	B-8	IC143	B-2
* C085	C-8	IC144	B-4
* C086	C-9	* IC200	C-10
* C087	C-9		
* C088	C-8	* L070	C-7
* C089	C-9	* L071	C-8
* C090	C-9	L072	D-5
* C091	C-8	* L073	C-8
* C092	C-8	L140	B-1
* C093	C-8	L141	B-2
* C094	C-8	L142	C-3
C095	D-4	L143	C-3
* C096	C-7	* L200	C-10
* C097	C-8		
* C098	B-8	Q050	B-4
* C099	B-8	* Q070	B-6
* C100	C-8	* Q071	B-6
C140	C-2	Q072	D-4
C141	A-3	* Q073	D-8
C142	B-3	* Q074	D-8
C143	A-3	Q075	D-5
C144	B-3	* Q076	C-7
C145	C-4	Q077	C-5
C146	C-3	* Q078	C-7
C147	C-3	Q140	D-3
C148	C-2	Q141	D-3
C149	C-3	Q142	B-3
C150	C-4	Q143	C-3
C151	C-4	* Q200	C-10
C152	B-1	* Q201	C-9
C153	C-3		
C154	B-1	R050	D-3
C155	B-3	R051	D-3
C156	C-3	R052	D-3
C157	B-3	R053	D-3
C158	C-3	R054	D-3
C159	C-2	R055	D-3
C160	B-3	* R063	D-6
C161	B-4	R065	C-5
C162	A-3	R066	E-5
C163	A-2	R067	D-5
C164	B-3	* R070	A-9
C165	A-3	* R071	B-9
C166	C-3	* R072	A-8
C167	A-4	* R073	B-8
C168	A-4	* R074	B-8
C170	C-3	* R075	B-8
* C200	B-10	* R076	B-7
* C201	B-10	* R077	B-9
* C202	B-10	* R078	B-9
* C203	B-9	* R079	B-7
* C204	B-10	* R080	B-8
* C205	B-9	* R081	B-9
* C206	C-10	* R082	B-8
* C207	C-9	* R083	B-8
* C208	C-10	* R084	B-6
* C209	B-9	* R085	B-7
* C210	C-10	* R086	C-7
* C211	C-9	* R087	C-7
* C212	C-10	* R088	B-8
* C213	C-9	* R089	B-8
* C214	C-10	* R091	C-9
* C215	C-10	* R092	C-8
		* R093	C-9
		* R095	C-8
		* R096	C-8
		* R097	C-9
		* R098	C-8
		* R099	C-9
		* R100	C-8
		* R101	C-8
		* R102	C-8
		* R103	C-9
		* R104	C-9
		* R105	C-8
		* R106	B-8
CN050	A-1		
* CN051	E-7		
CN052	A-2		
CN053	E-4		
CN054	A-4		
CN055	D-2		
CN056	B-5		
* D070	B-8		
D140	B-3		
FB140	A-3		

SE-147 BOARD

* C600	B-5
* C601	B-5
* CN600	B-5
* L600	B-5
SE600	B-3
SE601	B-2

MS-209 BOARD

CN775	C-3
* CN776	B-7
R1002	C-3
R1003	C-2
R1004	C-3

KP-013 BOARD

* CN550	B-6
D550	A-2
S550	B-3

MK-016 BOARD

CN001	B-1
* D003	B-4
D004	C-1
R001	C-1
* R002	A-3
* R003	B-3
* R004	C-3
* R005	C-3
* R006	C-3
* S001	B-4
* S002	B-4
* S003	C-4
* S004	C-4
S005	C-2

FK-088 BOARD

CN500	D-1
CN501	D-3
CN502	D-2
* D500	B-5
* D501	A-5
* D502	B-4
* D503	A-4
* D504	B-4
* D505	A-3
* D506	B-3
* D507	A-3
* D508	B-3
* D509	B-3
* D510	A-2
* D511	B-2
D512	D-6

R502	E-5
R503	E-6
R504	E-2
R505	D-4
R506	E-4
R507	E-3
R508	D-4
R509	E-4
R510	E-5
R511	D-4
R512	D-4
R513	D-5
R514	D-4
R515	C-2
R516	E-3
R518	E-1

* S500	A-5
* S501	A-2
* S502	A-4
* S503	A-3
* S504	A-3
* S505	B-5
* S506	A-4
* S507	A-3
* S508	B-2
* S509	C-4
* S510	C-5
* S511	C-2

MI-050 BOARD

C700	D-2
* C701	A-2
C702	D-2
* C703	A-2
C704	D-2
* C705	A-2
* C706	A-3
C709	D-3
* C710	A-2
C711	D-2

CN700	C-2
* CN701	B-2
CN702	D-1
CN703	D-3

Q700	D-1
Q701	D-3
Q702	D-1
Q703	D-3
Q704	D-2
Q705	D-3
Q706	D-2
* Q707	A-2

* R700	A-2
R701	D-2
* R702	A-2
* R703	A-2
R704	D-2
R705	D-2
R706	C-1
R707	D-1
R708	D-1
R713	D-3
R714	D-2
* R715	A-2
R716	D-2
* R717	A-3

FT-092 BOARD

C750	B-1
------	-----

* CN750	A-4
---------	-----

D750	A-2
D751	A-2

F750	A-2
------	-----

IC750	A-1
-------	-----

Q750	A-2
------	-----

* R750	A-4
R751	B-2

no mark : side A

* mark : side B

4-3. PRINTED WIRING BOARDS

LB-100 BOARD

C221 A-1
C222 A-1
* CN200 D-3
CN201 A-1
* D200 B-4
* D201 A-4
* IC221 B-1
* L200 A-3
Q221 B-2
Q222 B-1
* R200 A-3
* R205 A-3
R206 A-3
* R207 A-3
R208 A-3
R224 B-2
R225 A-1
R227 B-1
R230 A-1
R231 A-2
R232 A-2

HL-013 BOARD

C1701 A-1
CN1701 A-2
CN1702 B-1
CN1703 B-3
D1701 B-1
IC1701 A-1
R1701 B-1
R1702 B-1
R1703 B-1
R1704 A-1

ZM-030 BOARD

* BT801 A-6
* BT802 A-7
* CN801 A-8
D801 D-7
R801 D-4
R803 C-5
R804 C-4
R805 D-6
R806 C-5
R807 D-7
R809 C-4
S801 D-5
S802 D-1
S803 D-3
S804 D-2

MA-430 BOARD

* C1106 B-1
* C1107 B-1
* C1150 A-3
* C1151 B-2
* C1152 B-3
* C1153 A-3
* C1154 A-2
* C1155 A-2
* C1156 A-3
* C1157 A-2
* C1158 A-3
* C1159 B-3
* C1160 B-2
* C1162 A-3
* C1163 B-3
* C1165 A-3
* C1166 B-3
* C1167 A-3
* C1168 A-2
* C1169 B-3
* C1170 A-2
* C1171 A-3
* C1172 B-3
* C1173 B-4
* C1175 A-3
* C1177 A-4
* C1178 B-3
* C1179 A-3
* C1180 B-3
* C1181 A-4
* C1182 A-4
* C1183 A-3
* C1184 A-4
* C1185 A-2
* C1186 A-2
* C1187 B-4
* C1188 A-4
CN1100 D-1
* CN1101 A-1
CN1102 D-2
D1104 D-5
* D1111 A-2

RM-091 BOARD

C1109 C-4
D1105 C-3
* D1106 A-4
* D1107 B-4
* D1108 A-4
* D1109 A-4
* D1110 A-4
IC1102 C-4
* Q1104 B-3
* R1121 B-3
* R1122 A-3
* R1123 A-3
R1125 C-4
* R1126 A-3
* R1127 B-3
* R1128 A-3
* R1129 A-3
* R1130 A-4
S1100 C-4

DD-216 BOARD

C300 A-4
* C301 A-8
* C302 A-8
* C303 A-8
* C304 A-8
* C305 A-8
* C307 A-9
C308 A-2
* C309 A-9
C310 A-2
* C311 A-8
* C312 A-9
C313 A-3
C314 A-3
* C315 A-8
C316 A-3
* C317 B-9
* C318 B-9
* C319 B-7
* C320 B-9
* C321 B-8
C322 B-1
C323 A-2
C324 B-2
* C325 B-9
C326 A-1
* C327 B-9
* C328 B-8
* C329 B-8
* C330 B-8
* C331 B-8
* C332 B-7
* C333 C-8
* C334 B-7
* C335 C-7
* C336 C-7
* C337 C-7
* C338 A-7
C339 A-1
* C340 B-7
* C341 B-8
* C342 C-7
* C343 C-7
* C344 C-7
* C345 C-8
C346 B-2
C349 B-2
C350 B-1
C351 C-4
C352 C-4
* C353 C-6
C354 C-4
* C355 C-6
C356 C-4
C357 B-4
C358 B-4
C359 C-4
* C360 C-6
C361 D-5
* C362 A-6
* C363 C-6
C365 E-4
* C366 D-6
* C367 D-6
* C368 A-7
C369 D-4
C370 D-4
* C371 D-5
* C372 D-6
* C373 C-5
C375 B-2
C376 B-3
* C450 B-6
CN300 A-4
CN301 A-4
* CN450 B-6
D300 A-3
D301 B-4
D302 A-3
D303 A-3
D304 A-3
D305 A-1
D306 A-2
D307 B-2
D308 A-2
D311 B-2
D312 B-3
D313 B-1
* D314 A-6
* D315 C-6
* D316 A-6
F300 A-3
F301 A-3
F302 A-2
F303 A-2
F304 A-3
F305 A-3
* IC300 A-8
* IC301 A-7
L300 B-3
L301 C-3
L302 C-2
L303 C-3
L304 C-3
L305 C-3
L306 C-4
L307 C-4
L308 C-4
L309 D-4
* L310 D-6
* L311 D-6
L312 D-4
* L313 D-6
L314 D-4
L315 D-5
* L316 D-6
L317 D-4
L318 D-4
L319 B-4
L451 B-4
Q300 B-3
Q301 A-3
Q302 A-2
Q303 A-2
Q304 A-3
Q305 B-1
Q306 A-2
Q307 A-2
Q308 B-2
* Q309 C-8
* Q310 B-7
* Q311 C-7
* Q312 C-7
* Q313 C-7
* Q314 C-7
* Q315 A-9
Q316 A-2
* Q317 A-9
* Q318 C-8
* Q319 B-7
* Q320 C-7
* Q321 C-7
* Q322 C-7
* Q323 C-7
* Q324 A-9
* Q325 D-6
* Q327 D-4
* Q329 A-6
Q331 D-4
Q332 D-4
* Q333 E-6
* Q334 E-6
* Q335 E-6
Q337 D-4
* Q338 D-6
* Q339 A-6
* Q340 A-7
* Q341 A-7
* Q344 D-6
* Q345 D-6
* Q348 D-6
* Q349 D-6
* Q351 D-6
R300 B-4
R301 B-4
R302 B-4
R303 A-3
R304 B-4
* R305 A-8
R306 A-3
* R307 A-8
* R308 A-8
* R309 A-8
R310 B-2
R311 B-2
* R312 A-8
* R313 A-8
* R314 A-8
* R315 A-8
* R316 A-8
* R317 A-9
* R318 A-7
* R319 A-8
* R320 A-9
* R321 A-9
* R322 A-9
* R323 A-9
* R324 A-9
* R325 A-9
* R326 B-9
* R327 B-9
* R328 A-7
* R329 B-7
* R330 B-9
* R331 B-9
* R332 A-7
* R333 B-9
* R334 B-9
* R335 B-9
* R336 A-9
* R337 B-9
* R338 B-9
* R339 B-9
* R340 B-9
* R341 A-9
* R342 B-8
* R343 B-8
* R344 B-8
* R345 B-8
R346 B-2
R347 B-2
* R348 B-8
* R349 B-8
* R350 A-9
* R351 A-9
* R352 A-8
* R353 A-8
* R354 A-8
* R355 D-6
* R356 D-6
R359 D-4
* R360 E-6
R362 D-4
* R363 A-6
* R364 A-6
* R365 D-6
R369 D-4
R370 D-4
R371 D-4
* R372 E-6
* R373 D-6
* R374 D-6
* R375 B-8
* R376 D-6
* R377 B-8
* R378 D-6
R380 D-4
* R381 D-6
* R382 A-7
* R383 A-7
* R384 A-7
* R385 A-7
* R386 A-7
* R388 D-6
* R389 D-6
* R390 D-6
* R391 D-5
* R392 D-6
* R393 B-6
* R394 B-6
R396 B-3

no mark : side A


* mark : side B

* R397 A-8
* R399 B-6
R400 B-2
* R401 A-6
* R456 B-6
T300 A-1
T301 B-2

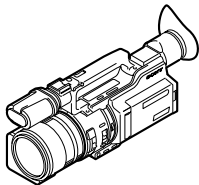
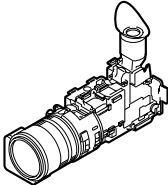
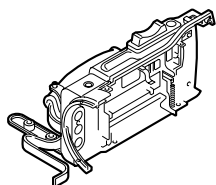
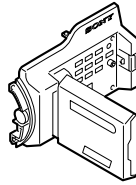
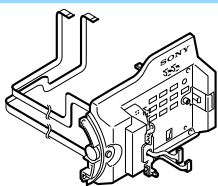
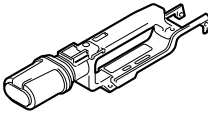
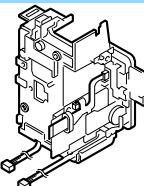
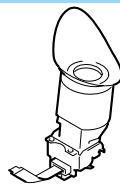
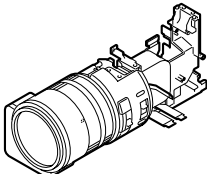
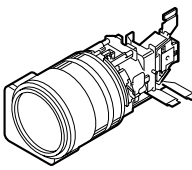
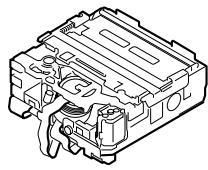
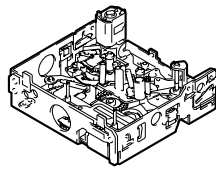
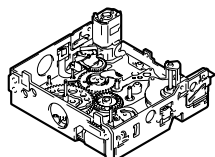
Mounted parts location of the VC-358 board is not shown.
Pages from 4-127 to 4-128 are not shown.

NOTE

5. REPAIR PARTS LIST (1/2)

TO (2/2) 

NOTE: Characters **A** to **Z** of the electrical parts list indicate location of exploded views in which the desired part is shown.

Link	EXPLODED VIEWS			
 <p data-bbox="244 712 496 745">OVERALL SECTION-1</p>	 <p data-bbox="802 656 826 678">A</p> <p data-bbox="563 712 815 745">OVERALL SECTION-2</p>	 <p data-bbox="882 712 1134 745">CABINET (L) SECTION</p>	 <p data-bbox="1441 656 1465 678">B</p> <p data-bbox="1201 712 1453 745">CABINET (R) SECTION-1</p>	
 <p data-bbox="483 947 507 969">C</p> <p data-bbox="236 1003 507 1037">CABINET (R) SECTION-2</p>	 <p data-bbox="802 947 826 969">D</p> <p data-bbox="555 1003 826 1037">UPPER HANDLE SECTION</p>	 <p data-bbox="1121 947 1145 969">E</p> <p data-bbox="874 1003 1145 1037">BATTERY PANEL SECTION</p>	 <p data-bbox="1441 947 1465 969">F</p> <p data-bbox="1249 1003 1409 1037">EVF SECTION</p>	
 <p data-bbox="236 1294 507 1328">CENTER FRAME SECTION</p>	 <p data-bbox="802 1238 826 1261">G</p> <p data-bbox="555 1294 826 1328">LENS BLOCK SECTION</p>	 <p data-bbox="874 1283 1145 1339">CASSETTE COMPARTMENT, DRUM AND REEL TABLE ASSY</p>	 <p data-bbox="1193 1283 1465 1339">TAPE GUIDE, PINCH SLIDER ASSY AND BRAKE SLIDER ASSY</p>	
 <p data-bbox="483 1529 507 1552">H</p> <p data-bbox="236 1585 507 1641">EACH GEARS AND LOADING/CAPSTAN MOTOR ASSY</p>				

5. REPAIR PARTS LIST (2/2)



NOTE: Characters **A** to **Z** of the electrical parts list indicate location of exploded views in which the desired part is shown.

ACCESSORIES

• CD-512 BOARD G	• JK-267 BOARD A	• MS-209 BOARD E
• CK-140 BOARD C	• KP-013 BOARD E	• PD-217 BOARD B
• DD-216 BOARD A	• LA-028 BOARD A	• SE-147 BOARD G
• FK-088 BOARD D	• LB-100 BOARD F	• VC-358 BOARD A
• FP-594 BOARD H	• MA-430 BOARD D	• ZM-030 BOARD D
• FT-092 BOARD D	• MI-050 BOARD D	• RM-091 BOARD D
• HL-013 BOARD B	• MK-016 BOARD E	

5. REPAIR PARTS LIST

NOTE:

- -XX, -X mean standardized parts, so they may have some differences from the original one.
- Items marked “*” are not stocked since they are seldom required for routine service. Some delay should be anticipated when ordering these items.
- The mechanical parts with no reference number in the exploded views are not supplied.
- Due to standardization, replacements in the parts list may be different from the parts specified in the diagrams or the components used on the set.
- CAPACITORS:
uF: μ F
- COILS
uH: μ H
- RESISTORS
All resistors are in ohms.
METAL: metal-film resistor
METAL OXIDE: Metal Oxide-film resistor
F: nonflammable
- SEMICONDUCTORS
In each case, u: μ , for example:
uA...: μ A... , uPA... , μ PA... ,
uPB... , μ PB... , uPC... , μ PC... ,
uPD... , μ PD...
- Abbreviation
CND : Canadian model
AUS : Australian model
CH : Chinese model
HK : Hong Kong model
KR : Korea model
JE : Tourist model

When indicating parts by reference number, please include the board name.

The components identified by mark Δ or dotted line with mark Δ are critical for safety. Replace only with part number specified.

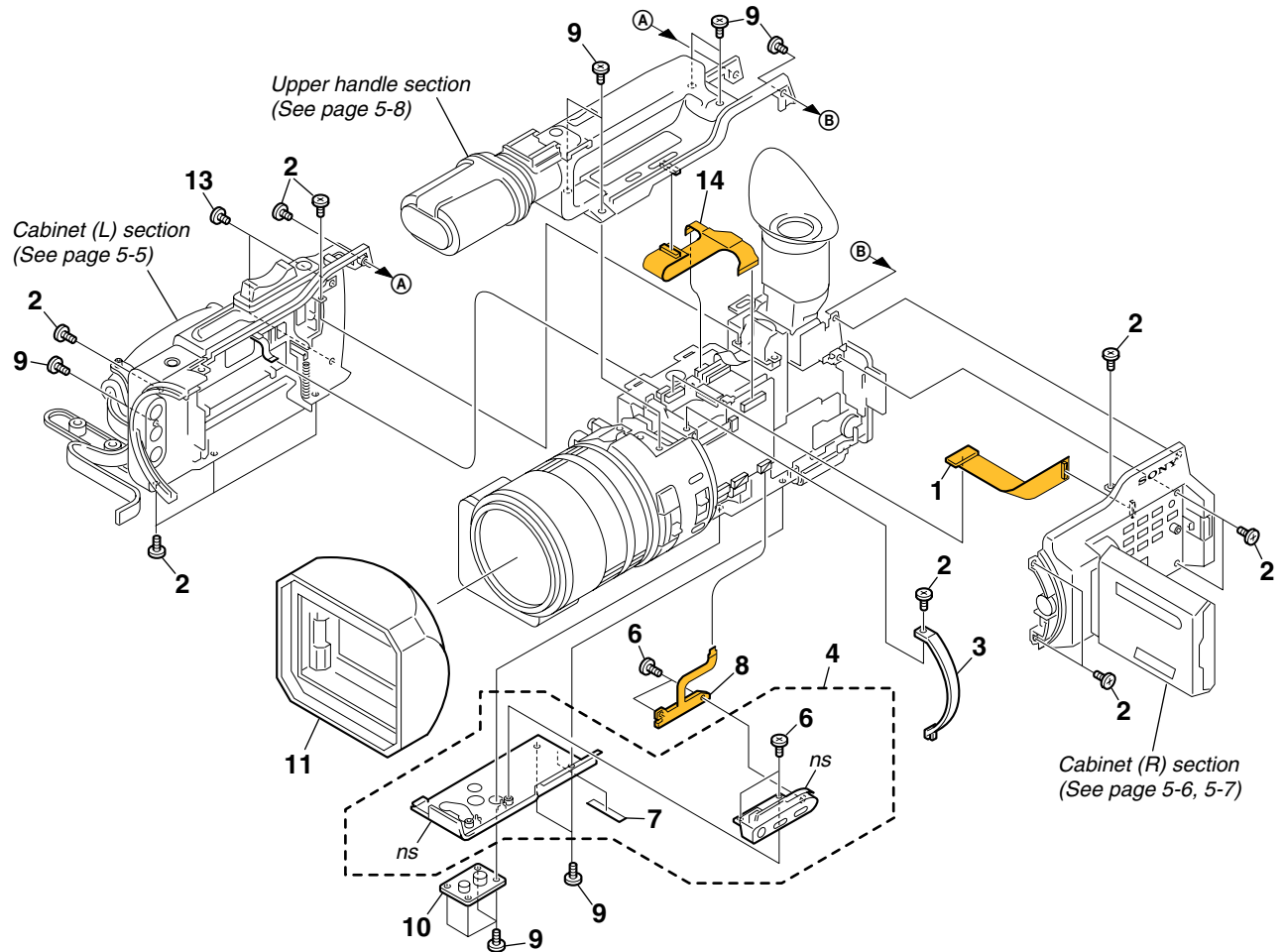
Les composants identifiés par une marque Δ sont critiques pour la sécurité. Ne les remplacer que par une pièce portant le numéro spécifié.

5. REPAIR PARTS LIST

5-1. EXPLODED VIEWS

5-1-1. OVERALL SECTION-1

ns : not supplied



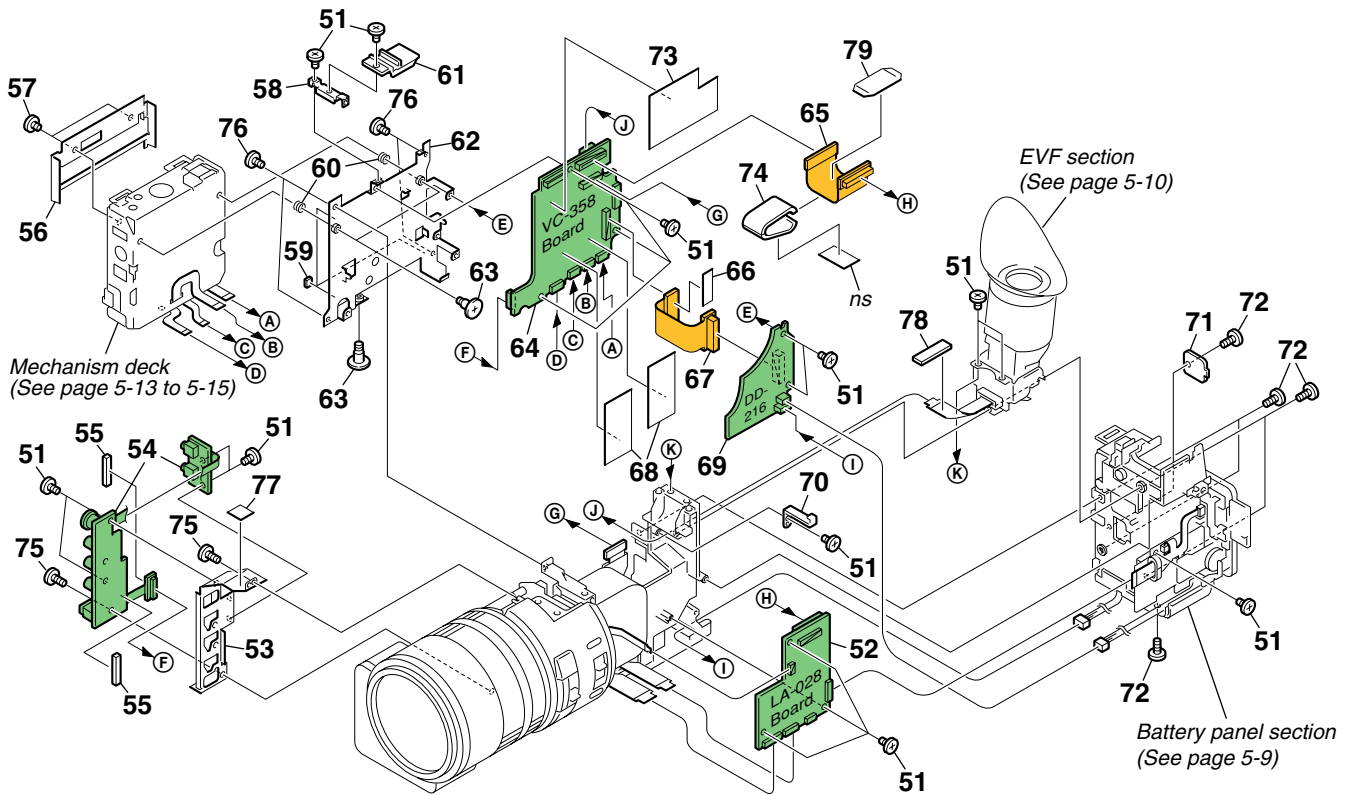
Ref. No.	Part No.	Description
1	1-678-055-21	FP-187 FLEXIBLE BOARD
2	3-053-121-21	BOLT (M2), SPRING
3	3-060-683-01	PLATE, CF ORNAMENTAL
4	X-3953-919-1	CABINET BOTTOM ASSY
6	3-080-205-21	SCREW,TAPPING,P2
7	3-062-455-01	FOOT (B), RUBBER

Ref. No.	Part No.	Description
8	1-678-057-31	FP-189 FLEXIBLE BOARD
9	3-080-203-41	SREW(M2),LOCK ACE,P2
10	3-963-940-02	TABLE, TRIPOD
11	3-088-528-01	HOOD, LENS
13	3-053-121-31	BOLT (M2), SPRING
14	1-861-004-11	FP-895 FLEXIBLE BOARD

5. REPAIR PARTS LIST

5-1-2. OVERALL SECTION-2

ns : not supplied



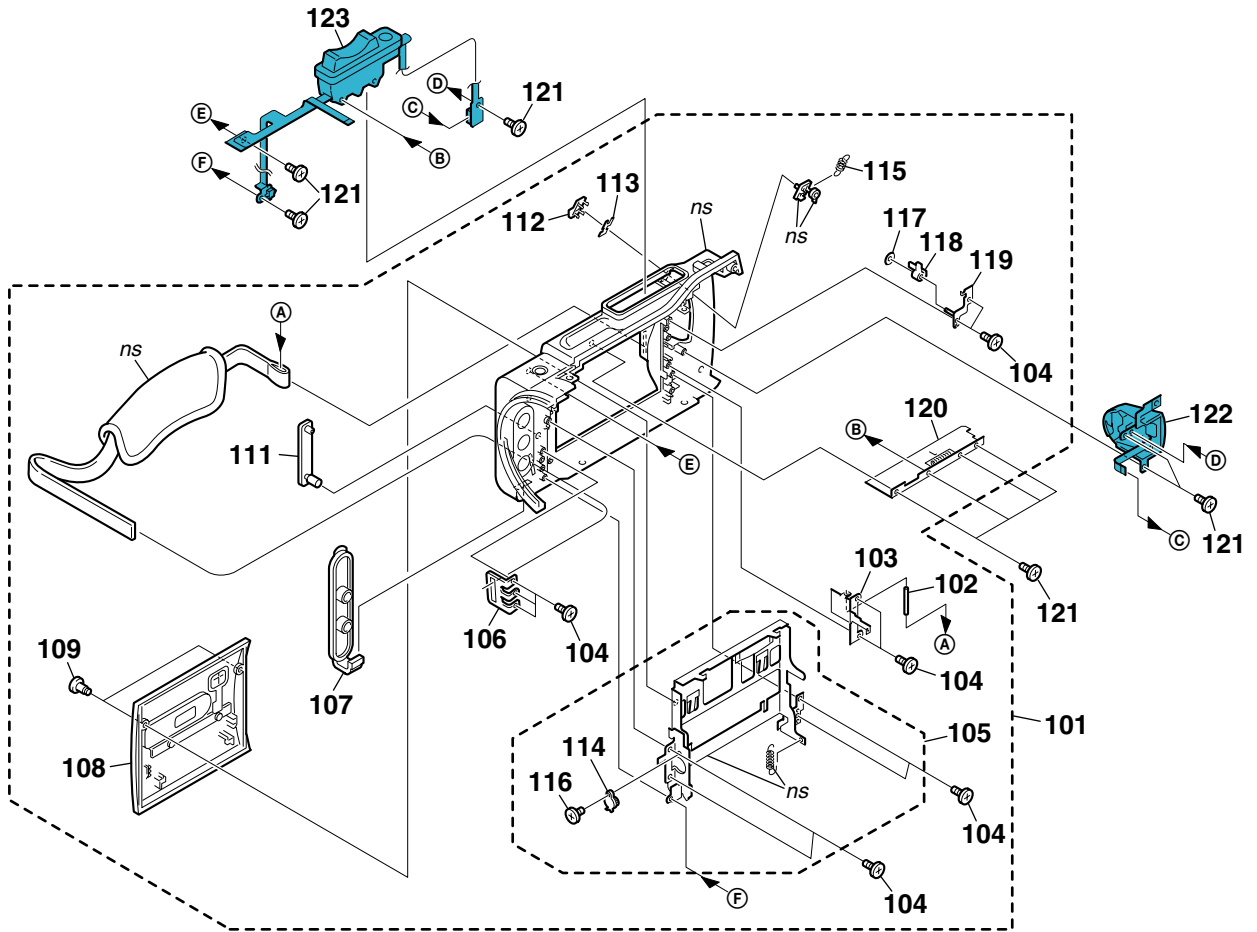
Ref. No.	Part No.	Description
51	3-080-202-21	SCREW(M2),LOCK ACE,P2
52	A-7078-946-A	LA-028 BOARD, COMPLETE
53	3-060-682-01	FRAME, JK
54	A-7078-952-A	JK-267 BOARD, COMPLETE
* 55	3-053-354-01	CUSHION, CD FLEXIBLE
56	3-060-673-01	LID, LD OUTER
57	3-080-203-01	SREW(M2),LOCK ACE,P2
58	3-060-684-01	JOINT, LA
59	3-975-921-01	SHEET, VIBRATION PROOF
60	3-061-679-02	SPRING, MD GROUND
61	3-060-789-01	RETAINER, FLEXIBLE
62	X-3950-571-1	FRAME ASSY, MD
63	3-988-464-11	SCREW (M2), STEP
64	A-7112-572-A	VC-358 BOARD, COMPLETE (SERVICE)
65	1-678-054-31	FP-186 FLEXIBLE BOARD

Ref. No.	Part No.	Description
66	3-061-053-01	SHEET, FP191
67	1-678-059-21	FP-191 FLEXIBLE BOARD
68	3-061-516-01	SHEET, RF FLEXIBLE
69	A-7078-941-A	DD-216 BOARD, COMPLETE
70	3-060-787-01	CLAMP, FLEXIBLE
71	3-060-677-11	COVER, CPC
72	3-080-203-41	SREW(M2),LOCK ACE,P2
* 73	3-062-779-01	SHEET (VC)
74	1-469-830-11	FILTER, EMI
75	3-053-121-21	BOLT (M2), SPRING
76	3-072-453-11	O PLATE +2 MAIN M2 EG GRIP
* 77	3-062-739-01	SHEET (C), ABSORBING
* 78	3-066-153-01	SHEET (VI)
79	3-089-711-01	SHEET (FP-186), COPPER LEAF

5. REPAIR PARTS LIST

5-1-3. CABINET (L) SECTION

ns : not supplied

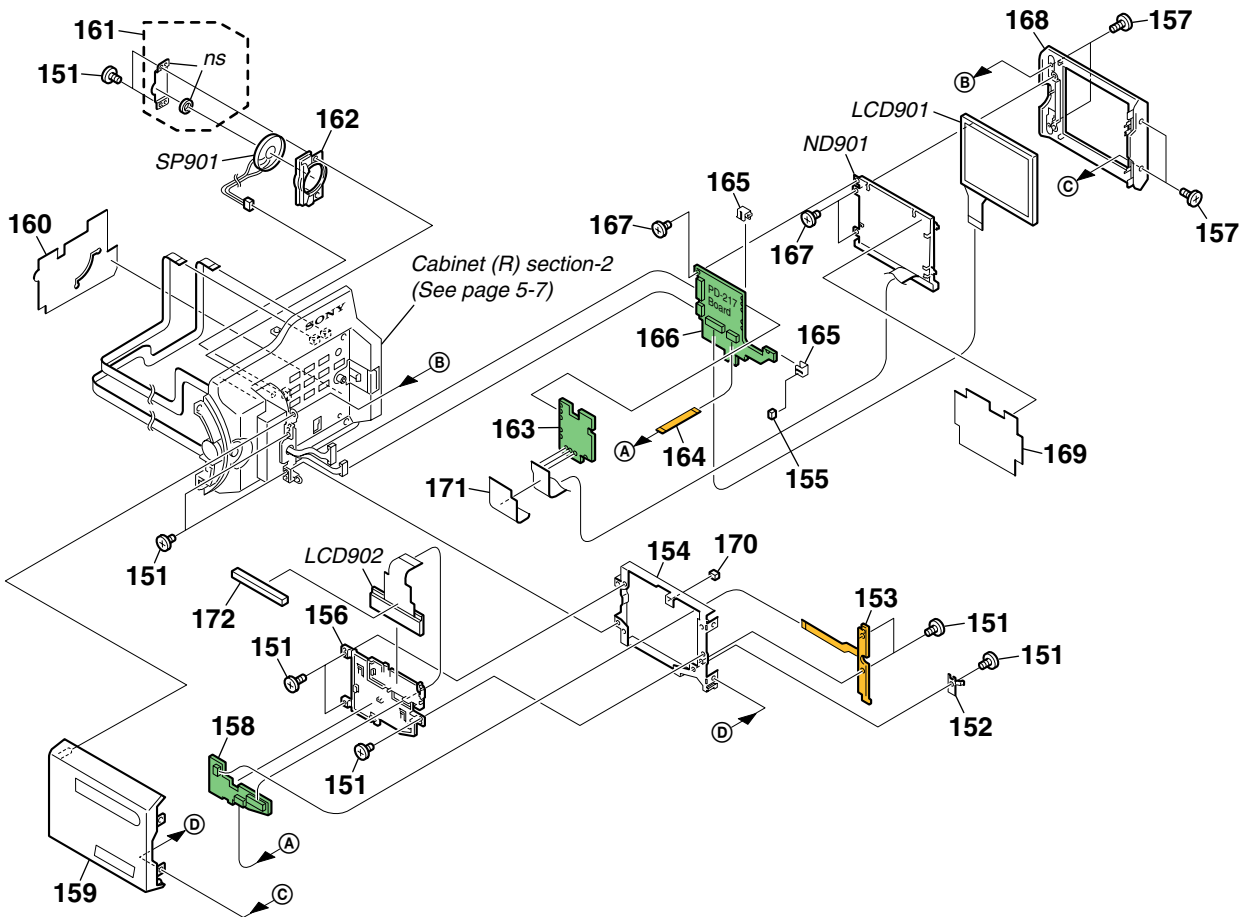


Ref. No.	Part No.	Description	Ref. No.	Part No.	Description
101	X-3953-913-2	CABINET (L) ASSY	113	3-060-549-01	SHEET, EJECT
102	3-703-357-08	PIN (DIA. 1.6 SERISE)	* 114	4-634-290-01	DAMPER
103	3-060-550-02	BRACKET (REAR), GRIP	115	3-060-554-01	SPRING, TENSION
104	3-080-206-21	SCREW, TAPPING, P2	116	3-968-729-81	SCREW (M2), LOCK ACE, P2
105	X-3950-561-1	CS ASSY	117	3-669-465-01	WASHER (1.5), STOPPER
106	3-051-871-01	BRACKET (FRONT), BELT	118	3-060-553-01	LEVER, EJECT
107	3-060-540-21	COVER (AV), JACK	119	X-3950-585-1	SHEET METAL ASSY, EJECT
108	X-3953-910-1	LID ASSY, CASSETTE	120	X-3950-562-1	SLIDER ASSY
109	3-060-790-11	SCREW (M2 STEP)	121	3-080-205-21	SCREW, TAPPING, P2
111	3-060-541-21	COVER (L), JACK	122	1-476-075-21	SWITCH BLOCK, CONTROL (PS-4980)
112	3-060-551-01	KNOB, EJECT	123	1-476-025-21	SWITCH BLOCK, CONTROL (CF-4980)

5. REPAIR PARTS LIST

5-1-4. CABINET (R) SECTION-1

ns : not supplied



Ref. No.	Part No.	Description
151	3-080-202-21	SCREW(M2),LOCK ACE,P2
* 152	3-060-698-01	RETAINER, BL
153	1-678-063-31	FP-196 FLEXIBLE BOARD
* 154	3-060-688-01	FRAME, LCD
155	3-061-509-01	PAD (RIGHT), PD
* 156	3-060-687-01	HOLDER, PANEL
157	3-080-203-41	SREW(M2),LOCK ACE,P2
158	A-7078-944-A	HL-013 BOARD, COMPLETE
159	X-3953-921-1	CABINET (C) ASSY, P (VX2100)
159	X-3953-922-1	CABINET (C) ASSY, P (VX2100E)
160	3-060-796-01	SHEET, R FLEXIBLE PROTECTION
* 161	X-3950-577-2	PLATE ASSY, SP RETAINER
* 162	3-060-686-01	HOLDER, SPEAKER
△ 163	1-418-876-11	TRANSFORMER UNIT, INVERTER

Ref. No.	Part No.	Description
164	1-678-062-21	FP-195 FLEXIBLE BOARD
* 165	3-051-232-01	CLIP, PCB
166	A-7078-956-A	PD-217 BOARD, COMPLETE
167	3-989-735-01	SCREW (M1.7), LOCK ACE, P2
168	X-3953-909-1	CABINET (M) ASSY, P
169	3-060-704-01	SHEET (N), BL SHIELD
170	3-061-510-01	PAD (UPPER), PD
* 171	3-062-196-01	SHEET, BL INSULATING
* 172	3-063-148-01	FOAM (SMALL), DUST PROTECTION
LCD901	8-753-209-13	ACX500ENA-J
LCD902	A-7095-909-A	PANEL BLOCK ASSY, INDICATION
△ ND901	1-517-931-21	TUBE, FLUORESCENT,COLD CATHODE
SP901	1-505-862-81	SPEAKER (2.0 CM)

Note :

The components identified by mark △ or dotted line with mark △ are critical for safety. Replace only with part number specified.

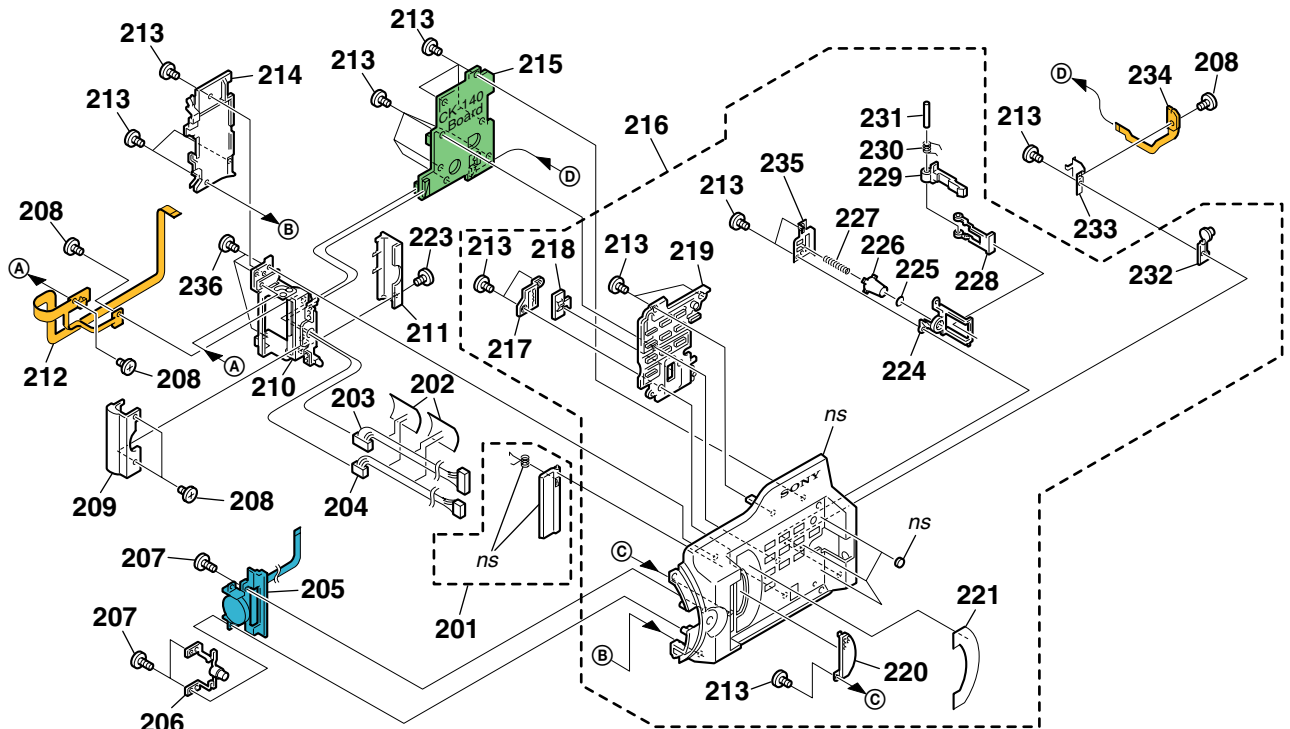
Note :

Les composants identifiés par une marque △ sont critiques pour la sécurité. Ne les remplacer que par une pièce portant le numéro spécifié.

5. REPAIR PARTS LIST

5-1-5. CABINET (R) SECTION-2

ns : not supplied

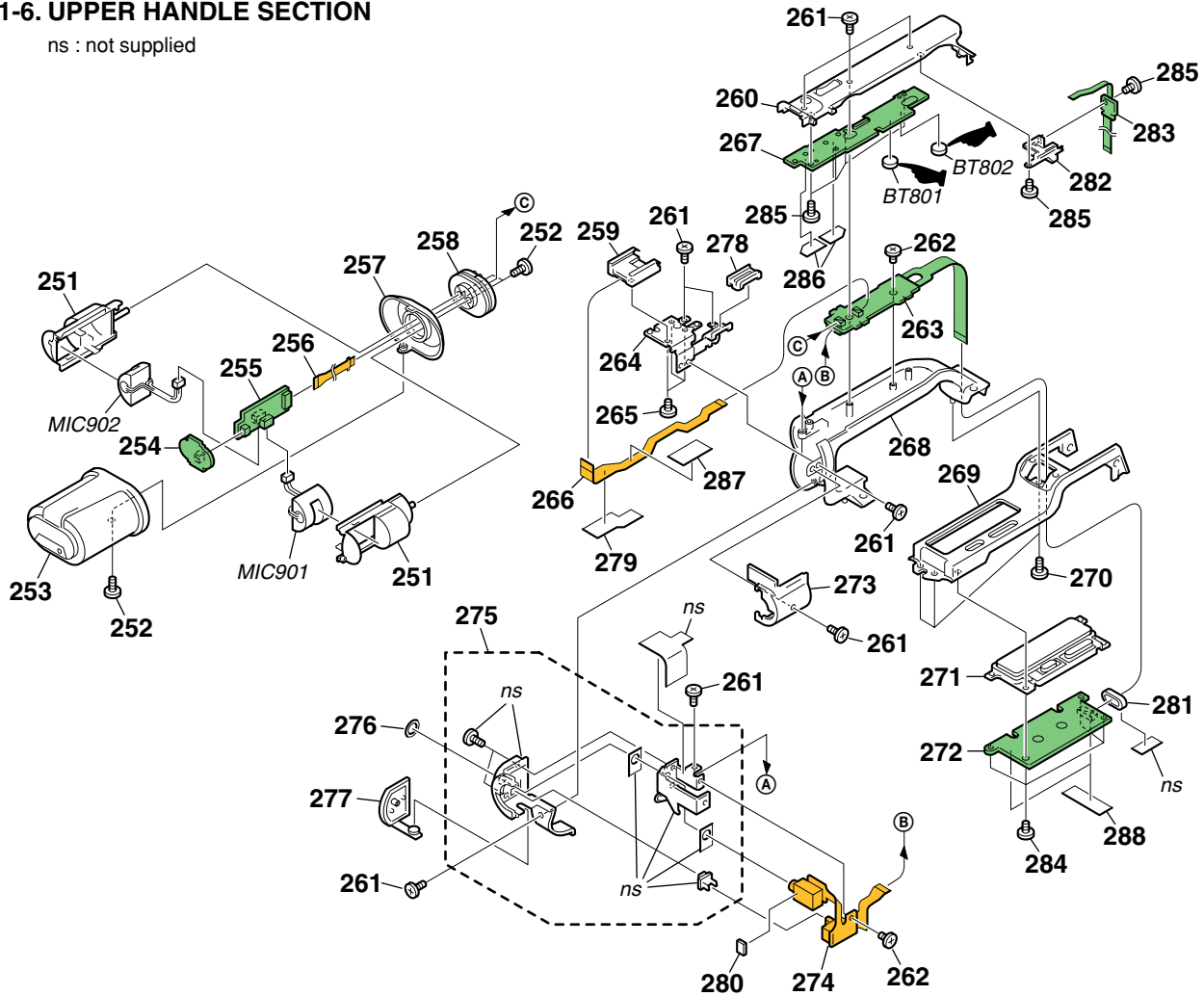



Ref. No.	Part No.	Description	Ref. No.	Part No.	Description
201	X-3950-599-1	DOOR (D) ASSY, BLIND	219	3-060-636-21	BUTTON, R
202	3-060-795-01	TAPE, HARNESS FIXED	220	3-060-637-11	GRILLE, SPEAKER
203	1-960-558-11	HARNESS (CP-094) 14P	221	3-060-639-11	SHEET, PROTECTION
204	1-960-557-11	HARNESS (CP-093) 8P	223	3-080-198-11	SCREW(M1.7),LOCK ACE,P2
205	1-476-183-11	SWITCH BLOCK, CONTROL (ED-4980)	224	3-060-630-21	BASE, PANEL LOCK
206	3-060-689-01	BUTTON, BRIGHT	225	3-060-641-02	PAD, PANEL (POP) UP
207	3-053-121-21	BOLT (M2), SPRING	226	3-060-632-31	UP, PANEL (POP)
208	3-989-735-01	SCREW (M1.7), LOCK ACE, P2	227	3-060-633-01	SPRING, COMPRESSION
209	3-060-693-21	COVER (FRONT), HINGE	228	3-060-638-01	KNOB, PANEL LOCK
210	X-3950-576-1	HINGE ASSY	229	3-060-643-21	CLAW, PANEL LOCK
211	3-060-694-11	COVER (REAR), HINGE	230	3-060-634-01	SPRING, PANEL LOCK
212	1-678-064-31	FP-197 FLEXIBLE BOARD	231	3-060-635-01	SHAFT, PANEL LOCK
213	3-080-202-21	SCREW(M2),LOCK ACE,P2	232	3-060-642-01	BUTTON, MENU
* 214	3-060-690-01	LID, HINGE	* 233	3-060-691-01	BRACKET, MENU BUTTON
215	A-7078-940-A	CK-140 BOARD, COMPLETE	234	1-678-061-31	FP-194 FLEXIBLE BOARD
216	X-3953-907-1	CABINET (R) ASSY	* 235	3-060-631-01	BRACKET, PANEL LOCK
* 217	3-060-640-01	COVER, ZEBRA KNOB	236	3-053-121-11	BOLT (M2), SPRING
218	3-060-644-21	KNOB, ZEBRA			

5. REPAIR PARTS LIST

5-1-6. UPPER HANDLE SECTION

ns : not supplied



 : BT801, BT802 (Lithium battery) ZM-030 board on the mount position. (See page 4-109)

CAUTION :

For the parts of 288: TAPE (A) (3-941-343-01) cut WOVEN (T0.25), FABRIC NON (3-076-631-01) into the desired length and use it.

CAUTION :

Danger of explosion if battery is incorrectly replaced. Replace only with the same or equivalent type.

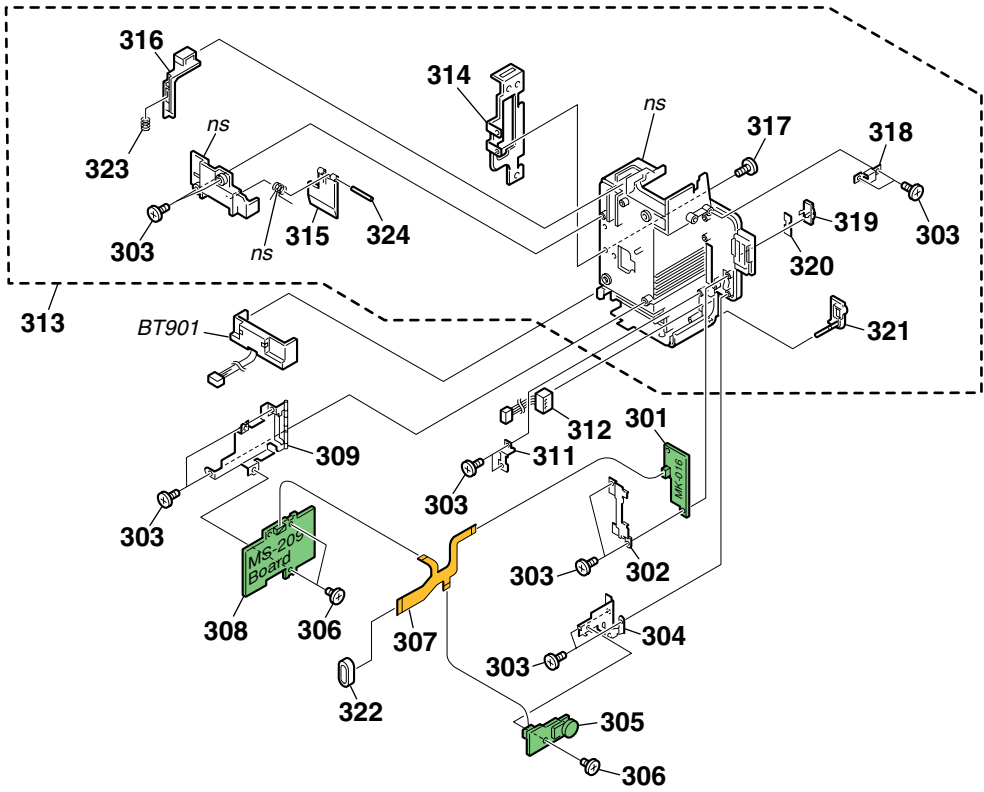
Ref. No.	Part No.	Description
251	3-963-968-01	CASE, MICROPHONE
252	3-080-206-21	SCREW, TAPPING, P2
253	X-3954-004-1	MASK ASSY, MICROPHONE
254	A-7078-943-A	FT-092 BOARD, COMPLETE
255	A-7078-947-A	MI-050 BOARD, COMPLETE
256	1-861-003-11	FP-894 FLEXIBLE BOARD
257	3-060-706-11	COVER, MICROPHONE
258	X-3945-076-1	NECK ASSY, RUBBER
259	1-785-594-11	CONNECTOR (HOT SHOE), OUTER
260	X-3953-900-1	COVER ASSY, HANDLE
261	3-080-203-41	SREW(M2),LOCK ACE,P2
262	3-080-202-21	SCREW(M2),LOCK ACE,P2
263	A-7078-954-A	MA-430 BOARD, COMPLETE
264	3-087-547-01	SHEET METAL, STRAP
265	3-989-735-01	SCREW (M1.7), LOCK ACE, P2
266	1-861-005-11	FP-896 FLEXIBLE BOARD
267	A-7078-951-A	ZM-030 BOARD, COMPLETE
268	X-3954-048-1	HANDLE ASSY
269	3-060-786-31	CABINET (UPPER)
270	3-053-121-21	BOLT (M2), SPRING

Ref. No.	Part No.	Description
271	X-3950-583-1	FRAME ASSY, FK
272	A-7078-942-A	FK-088 BOARD, COMPLETE
273	3-087-546-01	CABINET (L), MIC
274	1-861-002-11	FP-893 FLEXIBLE BOARD
275	X-3953-902-1	CABINET (R) ASSY, MIC
276	3-061-234-01	NUT (M6X0.5)
277	3-060-707-11	COVER, MJ
278	3-087-556-01	CAP (ST)
* 279	3-061-626-01	SHEET, MA SHIELD
* 280	3-061-511-01	SPACER, MICROPHONE
281	1-469-829-11	CORE, FERRITE
282	X-3953-946-1	HOLDER ASSY, RM FIXED
283	A-7078-955-A	RM-091 BOARD, COMPLETE
284	3-053-121-11	BOLT (M2), SPRING
285	3-080-205-21	SCREW, TAPPING, P2
286	3-088-405-01	SHEET (ZM), ABSORBING
287	3-088-937-01	SHEET (F) ABSORBING
288	CAUTION	TAPE(A)
MIC901	1-542-263-21	MICROPHONE UNIT (L)
MIC902	1-542-263-21	MICROPHONE UNIT (R)

5. REPAIR PARTS LIST

5-1-7. BATTERY PANEL SECTION

ns : not supplied



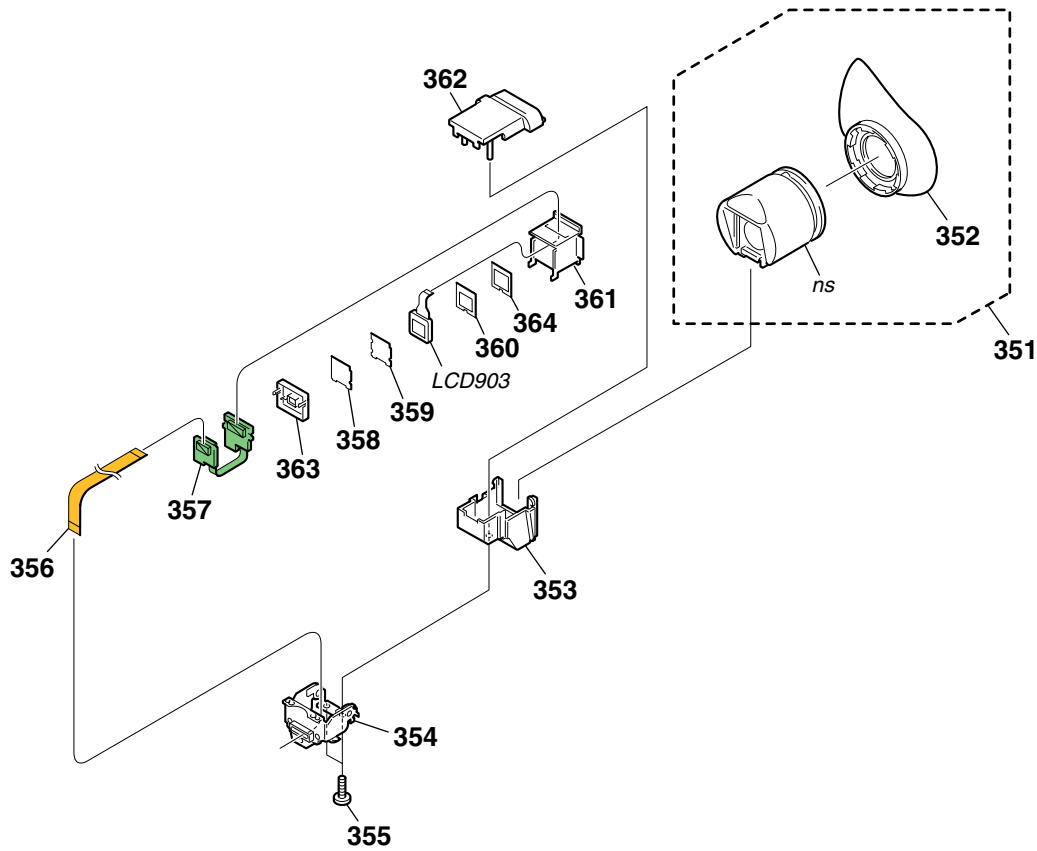
Ref. No.	Part No.	Description
301	A-7078-948-A	MK-016 BOARD, COMPLETE
* 302	3-060-678-01	RETAINER, MK
303	3-080-205-21	SCREW, TAPPING, P2
* 304	3-060-679-01	HOLDER, KP
305	A-7078-945-A	KP-013 BOARD, COMPLETE
306	3-080-202-21	SCREW(M2), LOCK ACE, P2
307	1-678-058-21	FP-190 FLEXIBLE BOARD
308	A-7078-949-A	MS-209 BOARD, COMPLETE
309	X-3950-589-1	HOLDER ASSY, MS
* 311	3-060-680-01	RETAINER, DC JACK
312	1-794-637-21	CONNECTOR, DC-IN
313	X-3953-904-1	PANEL ASSY, BATTERY

Ref. No.	Part No.	Description
314	3-060-592-01	BRACKET (R), S BELT
315	3-060-595-01	CLAW, BT LOCK
316	3-060-594-21	LEVER, BT RELEASE
317	3-080-203-41	SREW(M2), LOCK ACE, P2
* 318	3-060-774-01	JOINT, BT-R
319	3-060-598-01	BUTTON, AL
320	3-060-776-01	SHEET, AL
321	3-060-773-11	COVER, DC JACK
322	1-469-829-11	CORE, FERRITE
323	3-968-771-01	SPRING, COMPRESSION
324	3-968-770-01	SHAFT, BT
BT901	1-694-411-11	TERMINAL BOARD, BATTERY

5. REPAIR PARTS LIST

5-1-8. EVF SECTION

ns : not supplied



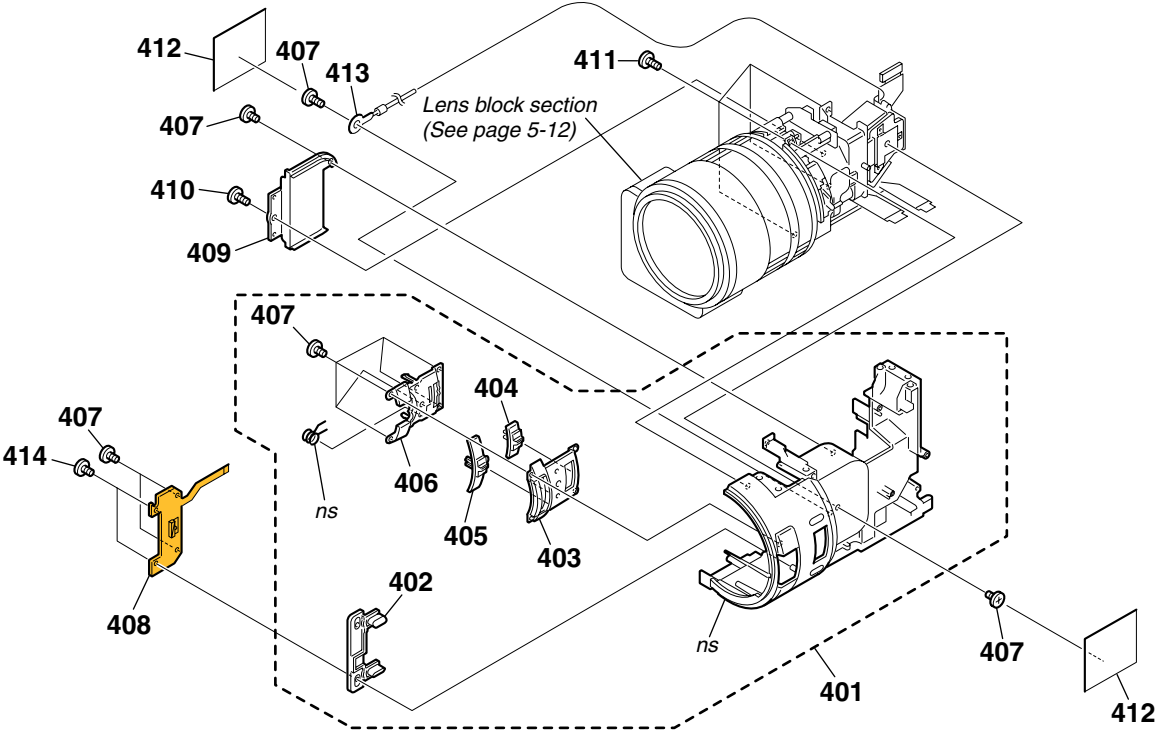
Ref. No.	Part No.	Description
351	X-3953-896-1	CABINET ASSY, VF (REAR)
352	3-087-515-01	EYE CUP
353	X-3953-895-1	CABINET (LOWER) ASSY,VF(FRONT)
354	X-3950-565-1	HINGE ASSY, VF
355	3-080-204-51	SCREW, TAPPING, P2
356	1-678-060-21	FP-193 FLEXIBLE BOARD
357	A-7078-953-A	LB-100 BOARD, COMPLETE
358	3-072-211-01	ILLUMINATOR

Ref. No.	Part No.	Description
359	3-072-210-01	SHEET, PRISM
360	3-087-530-01	SHEET, LIGHT INTERCEPTION
361	X-3953-897-1	HOLDER ASSY, LCD
362	3-087-528-01	CABINET (UPPER), VF (FRONT)
363	3-072-214-01	GUIDE (20), LAMP
364	3-087-529-01	CUSHION, LCD
LCD903	8-753-036-72	LCX033ANA-1

5. REPAIR PARTS LIST

5-1-9. CENTER FRAME SECTION

ns : not supplied



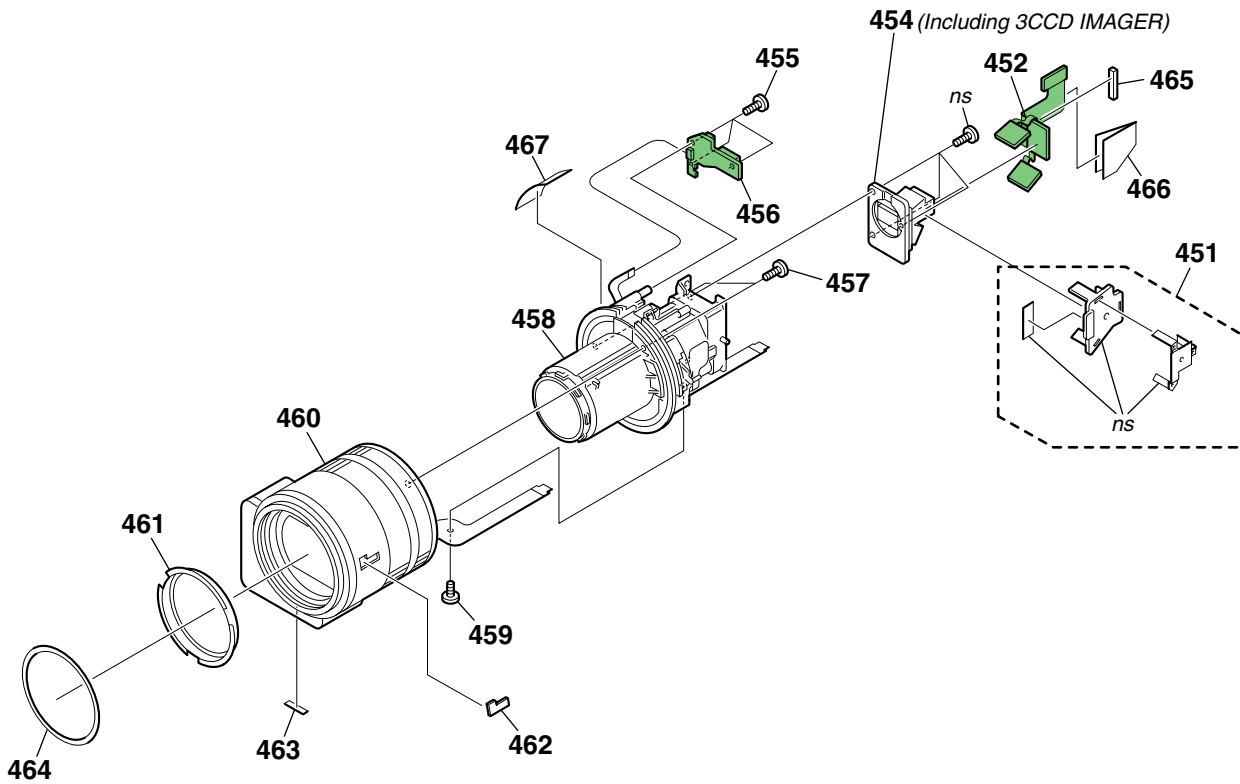
Ref. No.	Part No.	Description
401	X-3953-917-1	FRAME ASSY, CENTER
402	3-060-620-01	BUTTON, IP
403	3-060-621-11	ESCUTCHEON
404	3-060-622-01	KNOB, MF
405	3-060-619-01	KNOB, ND
406	3-060-623-01	COVER, BUTTON
407	3-080-202-21	SCREW(M2),LOCK ACE,P2

Ref. No.	Part No.	Description
408	1-678-056-31	FP-188 FLEXIBLE BOARD
409	3-060-685-01	COVER, CCD
410	3-080-205-21	SCREW, TAPPING, P2
411	3-072-453-01	O PLATE +P2 MAIN M2 EG GRIP
412	3-060-795-01	TAPE, HARNESS FIXED
413	1-960-654-21	HARNESS (CJ-064)
414	3-080-203-31	SREW(M2),LOCK ACE,P2

5. REPAIR PARTS LIST

5-1-10. LENS BLOCK SECTION

ns : not supplied

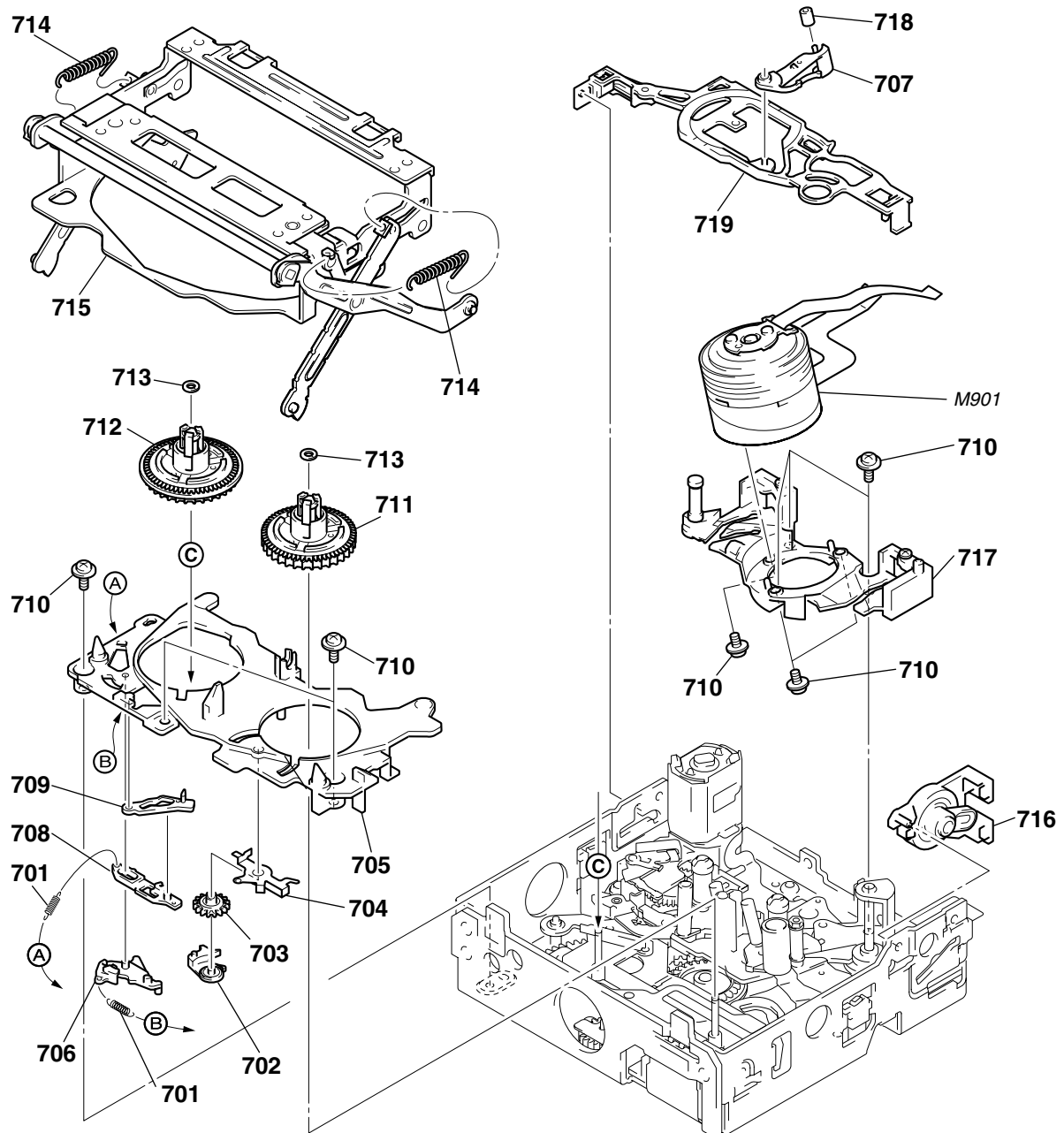


Be sure to read "Precautions upon replacing CCD imager" on page 4-12 when changing the CCD imager.

Ref. No.	Part No.	Description	Ref. No.	Part No.	Description
451	X-3950-586-1	COVER ASSY, PRISM	459	3-713-791-91	SCREW (M1.7)
452	A-7078-938-A	CD-512 BOARD, COMPLETE	460	3-709-595-31	VAP ASSY
454	A-7031-100-A	PRISM ASSY (SERVICE) (INCLUDING 3CCD IMAGER) (VX2100)	461	3-709-594-01	RING ASSY, GLASS ORNAMENTAL
454	A-7031-101-A	PRISM ASSY (SERVICE) (INCLUDING 3CCD IMAGER) (VX2100E)	462	3-963-933-01	EMBLEM, CCD
455	3-080-205-21	SCREW, TAPPING, P2	463	3-062-454-01	FOOT (A), RUBBER
456	A-7078-950-A	SE-147 BOARD, COMPLETE	464	3-060-681-01	RING, NAME
457	3-948-339-31	SCREW, TAPPING	* 465	3-053-354-01	CUSHION, CD FLEXIBLE
458	3-709-596-01	LENS ASSY, ZOOM	* 466	3-062-778-01	SHEET (CD)
			467	3-060-795-01	TAPE, HARNESS FIXED

5. REPAIR PARTS LIST

5-1-11. CASSETTE COMPARTMENT, DRUM AND REEL TABLE ASSEMBLY

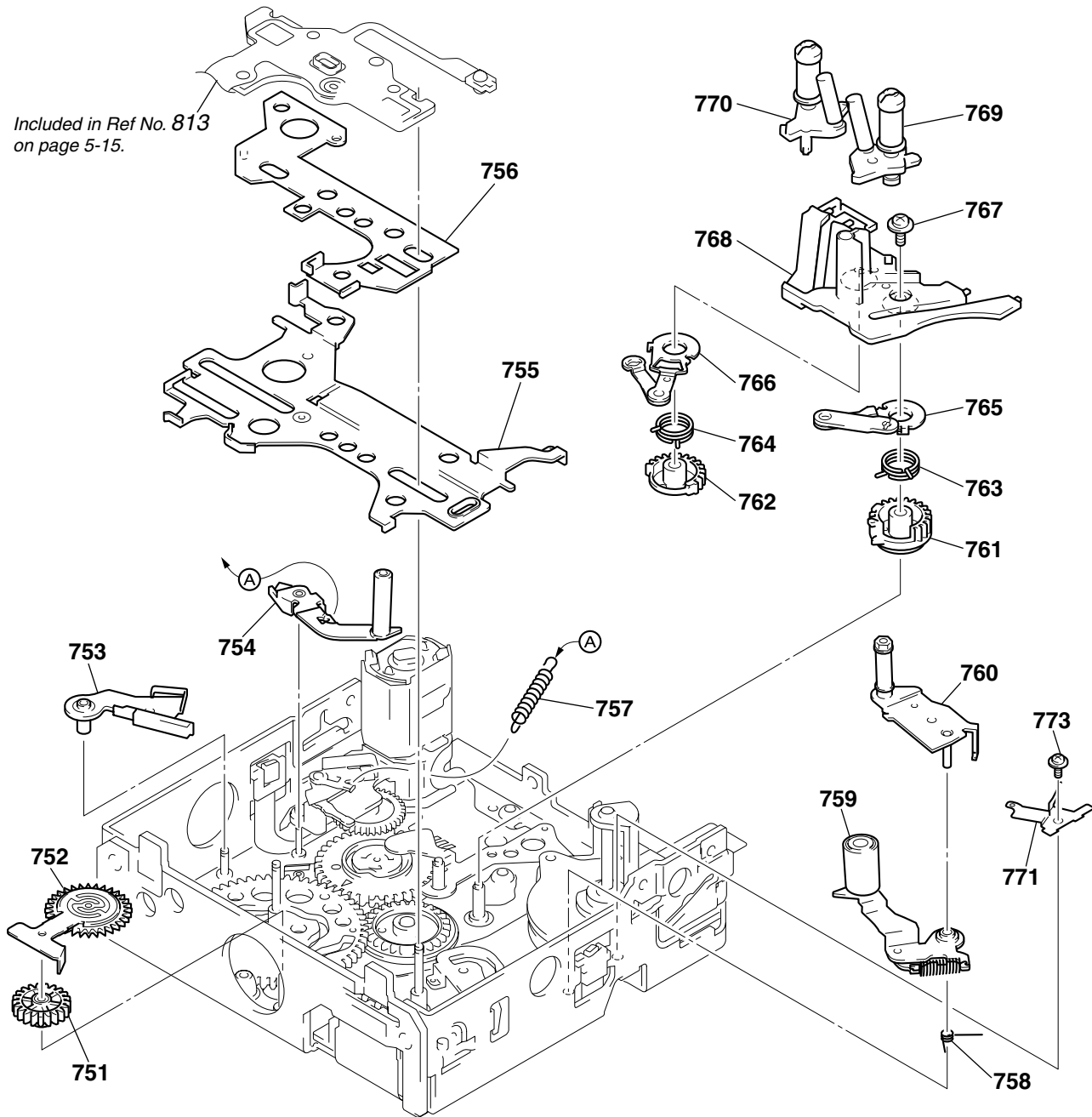


Ref. No.	Part No.	Description
701	3-988-312-01	SPRING, EXTENSION
702	3-988-220-01	BRAKE (T)
703	3-988-221-01	GEAR (T), BRAKE
704	3-988-222-01	SPRING (T), BRAKE
705	3-988-215-02	BASE, CASSETTE
706	3-988-217-01	ARM (S), RESET
707	3-988-281-02	ARM, HC
708	3-988-219-01	RACK (S), BRAKE
709	3-988-218-01	BRAKE (S)
710	3-947-503-01	SCREW (M1.4)

Ref. No.	Part No.	Description
711	X-3948-445-7	TABLE (T) ASSY, REEL
712	X-3948-444-1	TABLE (S) ASSY, REEL
713	3-989-465-01	WASHER, STOPPER
714	3-988-298-01	SPRING EXTENSION
715	X-3948-441-9	CASSETTE COMPARTMENT ASSY
716	X-3948-443-2	DAMPER ASSY
717	A-7093-612-A	DRUM BASE BLOCK ASSY
718	3-988-282-01	ROLLER, HC
719	3-988-283-01	STOPPER, TAPE FALL
M901	A-4900-079-A	DRUM ASSY (DEH-11B/J-RP) (SERVICE)

5. REPAIR PARTS LIST

5-1-12. TAPE GUIDE, PINCH SLIDER ASSEMBLY AND BRAKE SLIDER ASSEMBLY



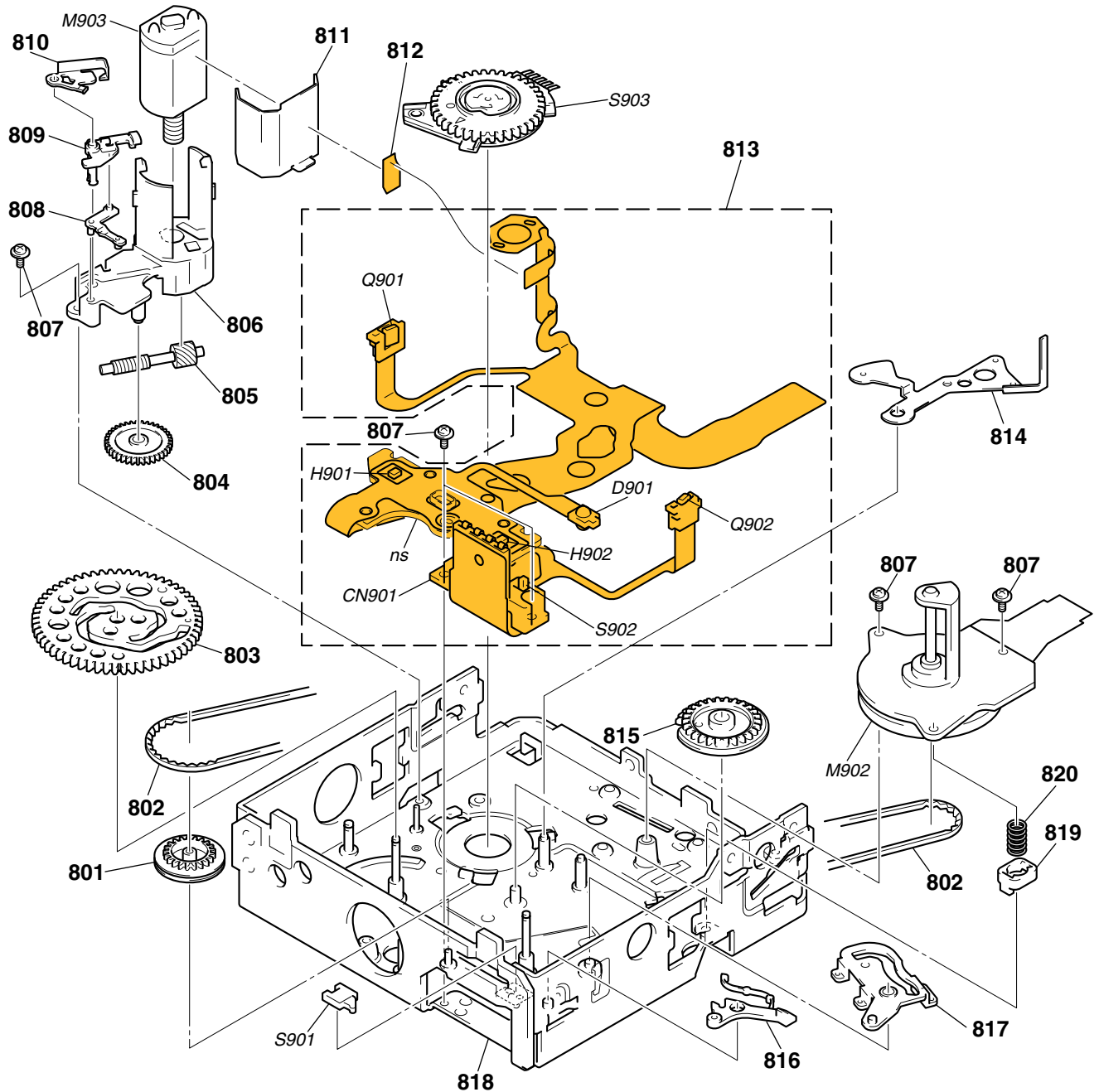
Ref. No.	Part No.	Description
751	3-988-263-01	GEAR, RELAY
752	X-3948-442-2	GEAR ASSY, GOOSENECK
753	X-3948-435-2	PLATE ASSY, TG1 ADJUSTMENT
754	X-3948-434-1	ARM ASSY, TG1
755	X-3948-428-5	SLIDER ASSY, PINCH
756	X-3948-766-1	SLIDER ASSY, BRAKE
757	3-988-270-01	SPRING (TG1), TENSION COIL
758	3-988-233-01	SPRING (TG7LD), TORSION
759	X-3948-433-2	ARM ASSY, PINCH
760	A-7093-501-A	ARM BLOCK ASSY, TG7
761	3-988-257-02	GEAR (T), GL

Ref. No.	Part No.	Description
762	3-988-252-03	GEAR (S), GL
763	3-988-258-01	SPRING (GLT), TORSION
764	3-988-253-01	SPRING (GLS), TORSION
765	X-3948-440-1	ARM (T) ASSY, GL
766	X-3948-439-3	ARM (S) ASSY, GL
767	3-947-503-01	SCREW (M1.4)
768	3-988-242-01	RAIL, GUIDE
769	X-3948-438-3	COASTER (T) ASSY
770	X-3948-934-4	COASTER (S2) ASSY
771	3-988-690-02	SPRING, TG7 RETAINER
773	3-053-083-01	SCREW

5. REPAIR PARTS LIST

5-1-13. EACH GEARS AND LOADING/CAPSTAN MOTOR ASSEMBLY

ns : not supplied



Ref. No.	Part No.	Description	Ref. No.	Part No.	Description
801	3-988-274-01	PULLEY, CONVERSION	817	3-988-224-01	ARM, PINCH PRESS
802	3-988-276-02	BELT, TIMING	818	X-3948-431-2	CHASSIS ASSY
803	3-988-216-01	GEAR, CAM	819	3-050-170-01	HOLDER
804	3-988-211-01	GEAR, DECELERATION	820	3-051-787-02	SPRING (CAP), COMPRESSION COIL
805	3-988-210-01	SHAFT, WORM	CN901	1-784-723-11	PIN, CONNECTOR 4P
806	3-988-207-01	HOLDER, MOTOR	D901	8-719-067-13	DIODE GL453K
807	3-947-503-01	SCREW (M1.4)	H901	8-719-061-28	DIODE HW-105C-FT-V (S REEL)
808	3-988-303-01	ARM, SPRING HOOK DRIVING	H902	8-719-061-28	DIODE HW-105C-FT-V (T REEL)
809	3-988-271-01	BASE, SPRING HOOK FULCRUM	Q901	6-600-109-01	PHOTO TRANSISTOR PT4800FB (TAPE END)
810	3-988-302-01	HOOK, TG1 SPRING	Q902	6-600-109-01	PHOTO TRANSISTOR PT4800FB (TAPE TOP)
811	3-988-208-01	SHIELD, MOTOR	S901	1-771-039-51	SWITCH, PUSH (CASSETTE IN)
812	1-657-785-11	FP-248 FLEXIBLE BOARD (DEW SENSOR)	S902	1-572-719-32	SWITCH, PUSH (1 KEY) (REC PROOF)
813	A-7073-418-A	FP-594 FLEXIBLE BOARD, COMPLETE	S903	1-771-325-11	ENCODER, ROTARY (SWITCH) (MODE)
814	3-988-280-03	ARM, HC DRIVING	M902	8-835-606-01	MOTOR, DC SCD15A/C-NP (CAPSTAN)
815	3-988-239-01	GEAR, GL DRIVING	M903	X-3948-346-1	MOTOR ASSY, L (LOADING)
816	3-988-223-01	ARM, EJECT			

CD-512

CK-140

5-2. ELECTRICAL PARTS LIST

Ref. No.	Part No.	Description
A-7078-938-A	CD-512 BOARD, COMPLETE	*****
	(IC100,IC101,IC102 are not included in this completed board.)	
	(IC100,IC101,IC102 are included in PRISM ASSY.)	
	(A-7031-100-A is supplied with VX2100 and	
	A-7031-101-A is supplied with VX2100E.)	
	< CAPACITOR >	
C100	1-107-826-11	CERAMIC CHIP 0.1uF 10.00% 16V
C101	1-107-826-11	CERAMIC CHIP 0.1uF 10.00% 16V
C102	1-119-751-11	TANTAL. CHIP 22uF 20.00% 16V
C103	1-119-751-11	TANTAL. CHIP 22uF 20.00% 16V
C104	1-127-760-11	CERAMIC CHIP 4.7uF 10% 6.3V
C105	1-127-760-11	CERAMIC CHIP 4.7uF 10% 6.3V
C108	1-117-919-11	TANTAL. CHIP 10uF 20.00% 6.3V
C109	1-107-686-11	TANTAL. CHIP 4.7uF 20.00% 16V
C110	1-127-760-11	CERAMIC CHIP 4.7uF 10% 6.3V
C111	1-125-777-11	CERAMIC CHIP 0.1uF 10.00% 10V
C112	1-107-686-11	TANTAL. CHIP 4.7uF 20.00% 16V
C113	1-117-919-11	TANTAL. CHIP 10uF 20.00% 6.3V
C114	1-107-686-11	TANTAL. CHIP 4.7uF 20.00% 16V
C115	1-117-919-11	TANTAL. CHIP 10uF 20.00% 6.3V
C117	1-125-777-11	CERAMIC CHIP 0.1uF 10.00% 10V
C118	1-125-777-11	CERAMIC CHIP 0.1uF 10.00% 10V
C119	1-119-751-11	TANTAL. CHIP 22uF 20.00% 16V
C120	1-107-826-11	CERAMIC CHIP 0.1uF 10.00% 16V
C130	1-107-826-11	CERAMIC CHIP 0.1uF 10.00% 16V
C131	1-162-966-11	CERAMIC CHIP 0.0022uF 10% 50V
C132	1-107-826-11	CERAMIC CHIP 0.1uF 10.00% 16V
C133	1-162-966-11	CERAMIC CHIP 0.0022uF 10% 50V
C134	1-162-966-11	CERAMIC CHIP 0.0022uF 10% 50V
C135	1-107-826-11	CERAMIC CHIP 0.1uF 10.00% 16V
	< CONNECTOR >	
CN100	1-778-078-21	CONNECTOR, BOARD TO BOARD 50P
	< IC >	
IC100	not supplied	CCD IMAGER (ICX246AL-13) (VX2100)
IC100	not supplied	CCD IMAGER (ICX247AL-13) (VX2100E)
IC101	not supplied	CCD IMAGER (ICX246AL-13) (VX2100)
IC101	not supplied	CCD IMAGER (ICX247AL-13) (VX2100E)
IC102	not supplied	CCD IMAGER (ICX246AL-13) (VX2100)
IC102	not supplied	CCD IMAGER (ICX247AL-13) (VX2100E)
IC103	8-759-561-46	IC AD8014ARTZ-REEL7
IC104	8-759-561-46	IC AD8014ARTZ-REEL7
IC105	8-759-561-46	IC AD8014ARTZ-REEL7
	< COIL >	
L100	1-412-963-11	INDUCTOR 100uH
L101	1-412-963-11	INDUCTOR 100uH
L104	1-412-963-11	INDUCTOR 100uH
L105	1-412-963-11	INDUCTOR 100uH
L106	1-412-963-11	INDUCTOR 100uH
L107	1-412-963-11	INDUCTOR 100uH

Ref. No.	Part No.	Description
		< RESISTOR >
R100	1-218-962-11	RES-CHIP 5.6K 5% 1/16W
R101	1-218-961-11	RES-CHIP 4.7K 5% 1/16W
R102	1-218-962-11	RES-CHIP 5.6K 5% 1/16W
R103	1-218-961-11	RES-CHIP 4.7K 5% 1/16W
R104	1-218-961-11	RES-CHIP 4.7K 5% 1/16W
R105	1-218-962-11	RES-CHIP 5.6K 5% 1/16W
R106	1-218-953-11	RES-CHIP 1K 5% 1/16W
R107	1-218-940-11	RES-CHIP 82 5% 1/16W
R108	1-218-953-11	RES-CHIP 1K 5% 1/16W
R109	1-218-940-11	RES-CHIP 82 5% 1/16W
R110	1-218-953-11	RES-CHIP 1K 5% 1/16W
R111	1-218-940-11	RES-CHIP 82 5% 1/16W
R112	1-220-210-11	RES-CHIP 200K 5% 1/16W
R113	1-220-210-11	RES-CHIP 200K 5% 1/16W
R114	1-220-210-11	RES-CHIP 200K 5% 1/16W
A-7078-940-A	CK-140 BOARD, COMPLETE	*****
3-051-919-01	SHEET, LI PROTECTION	
	< CONNECTOR >	
CN250	1-784-995-21	CONNECTOR, BOARD TO BOARD 50P
CN251	1-794-378-21	PIN, CONNECTOR 14P
CN252	1-794-377-21	PIN, CONNECTOR 8P
CN253	1-794-057-21	PIN, CONNECTOR (PC BOARD) 2P
CN254	1-766-335-21	CONNECTOR, FFC/FPC 5P
CN255	1-779-327-11	CONNECTOR, FFC/FPC 6P
CN256	1-779-327-11	CONNECTOR, FFC/FPC 6P
	< DIODE >	
D250	8-719-064-61	DIODE 01BZA8.2(TE85L)
D251	8-719-064-61	DIODE 01BZA8.2(TE85L)
D252	8-719-073-03	DIODE MA8082-(K8).S0
D253	8-719-064-61	DIODE 01BZA8.2(TE85L)
D254	8-719-064-61	DIODE 01BZA8.2(TE85L)
D255	8-719-064-61	DIODE 01BZA8.2(TE85L)
	< RESISTOR >	
R255	1-218-954-11	RES-CHIP 1.2K 5% 1/16W
R256	1-218-954-11	RES-CHIP 1.2K 5% 1/16W
R257	1-218-954-11	RES-CHIP 1.2K 5% 1/16W
R258	1-218-955-11	RES-CHIP 1.5K 5% 1/16W
R259	1-218-955-11	RES-CHIP 1.5K 5% 1/16W
R260	1-218-955-11	RES-CHIP 1.5K 5% 1/16W
R261	1-218-959-11	RES-CHIP 3.3K 5% 1/16W
R262	1-218-959-11	RES-CHIP 3.3K 5% 1/16W
R263	1-218-959-11	RES-CHIP 3.3K 5% 1/16W
R264	1-218-963-11	RES-CHIP 6.8K 5% 1/16W
R265	1-218-963-11	RES-CHIP 6.8K 5% 1/16W
R266	1-218-963-11	RES-CHIP 6.8K 5% 1/16W
R267	1-218-969-11	RES-CHIP 22K 5% 1/16W
R268	1-218-969-11	RES-CHIP 22K 5% 1/16W
R269	1-218-969-11	RES-CHIP 22K 5% 1/16W

Be sure to read "Precautions upon replacing CCD imager" on page 4-12 when changing the CCD imager.

DD-216

Ref. No.	Part No.	Description	Ref. No.	Part No.	Description
		< FUSE >			
△ F300	1-576-286-21	FUSE	Q320	8-729-044-58	TRANSISTOR
△ F301	1-576-286-21	FUSE	Q321	8-729-044-58	TRANSISTOR
△ F302	1-576-286-21	FUSE	Q322	8-729-044-58	TRANSISTOR
△ F303	1-576-286-21	FUSE	Q323	8-729-044-58	TRANSISTOR
△ F304	1-576-286-21	FUSE	Q324	8-729-037-52	TRANSISTOR
△ F305	1-576-286-21	FUSE	Q325	8-729-037-74	TRANSISTOR
		< IC >	Q327	8-729-037-52	TRANSISTOR
IC300	8-759-491-09	IC MB4488PFV-G-BND-ER	Q329	8-729-037-74	TRANSISTOR
IC301	8-759-075-66	IC TA75S01F	Q331	8-729-042-26	TRANSISTOR
		< COIL >	Q332	8-729-042-26	TRANSISTOR
L300	1-416-669-11	INDUCTOR	Q333	8-729-042-26	TRANSISTOR
L301	1-416-670-11	INDUCTOR	Q334	8-729-049-25	TRANSISTOR
L302	1-416-669-11	INDUCTOR	Q335	8-729-037-52	TRANSISTOR
L303	1-416-669-11	INDUCTOR	Q337	8-729-037-52	TRANSISTOR
L304	1-416-669-11	INDUCTOR	Q338	8-729-042-26	TRANSISTOR
L305	1-416-669-11	INDUCTOR	Q339	6-550-037-01	TRANSISTOR
L306	1-412-056-11	INDUCTOR	Q340	8-729-037-52	TRANSISTOR
L307	1-414-770-91	INDUCTOR	Q341	8-729-049-91	TRANSISTOR
L308	1-412-056-11	INDUCTOR	Q344	8-729-037-52	TRANSISTOR
L309	1-414-400-11	INDUCTOR	Q345	8-729-034-59	TRANSISTOR
L310	1-414-770-91	INDUCTOR	Q348	8-729-037-52	TRANSISTOR
L311	1-414-770-91	INDUCTOR	Q349	8-729-042-26	TRANSISTOR
L312	1-412-056-11	INDUCTOR	Q351	8-729-037-52	TRANSISTOR
L313	1-414-770-91	INDUCTOR			< RESISTOR >
L314	1-414-770-91	INDUCTOR	R300	1-218-953-11	RES-CHIP
L315	1-414-394-11	INDUCTOR	R301	1-216-296-11	SHORT CHIP
L316	1-414-770-91	INDUCTOR	R302	1-216-296-11	SHORT CHIP
L317	1-469-058-11	INDUCTOR	R303	1-218-985-11	RES-CHIP
L318	1-469-058-11	INDUCTOR	R304	1-218-989-11	RES-CHIP
L319	1-414-770-91	INDUCTOR	R305	1-218-969-11	RES-CHIP
L451	1-414-770-91	INDUCTOR	R306	1-216-150-91	RES-CHIP
		< TRANSISTOR >	R307	1-218-969-11	RES-CHIP
Q300	8-729-047-68	TRANSISTOR	R308	1-218-969-11	RES-CHIP
Q301	8-729-046-77	TRANSISTOR	R309	1-218-969-11	RES-CHIP
Q302	8-729-804-41	TRANSISTOR	R310	1-218-953-11	RES-CHIP
Q303	8-729-037-74	TRANSISTOR	R311	1-218-961-11	RES-CHIP
Q304	8-729-047-68	TRANSISTOR	R312	1-218-969-11	RES-CHIP
Q305	8-729-050-24	TRANSISTOR	R313	1-218-973-11	RES-CHIP
Q306	8-729-042-26	TRANSISTOR	R314	1-218-961-11	RES-CHIP
Q307	8-729-037-74	TRANSISTOR	R315	1-218-953-11	RES-CHIP
Q308	8-729-043-60	TRANSISTOR	R316	1-218-969-11	RES-CHIP
Q309	8-729-046-98	TRANSISTOR	R317	1-208-715-11	METAL CHIP
Q310	8-729-046-98	TRANSISTOR	R318	1-208-927-11	METAL CHIP
Q311	8-729-046-98	TRANSISTOR	R319	1-218-969-11	RES-CHIP
Q312	8-729-046-98	TRANSISTOR	R320	1-218-965-11	RES-CHIP
Q313	8-729-046-98	TRANSISTOR	R321	1-208-719-11	METAL CHIP
Q314	8-729-046-98	TRANSISTOR	R322	1-218-971-11	RES-CHIP
Q315	8-729-037-52	TRANSISTOR	R323	1-218-973-11	RES-CHIP
Q316	8-729-017-61	TRANSISTOR	R324	1-218-965-11	RES-CHIP
Q317	8-729-042-26	TRANSISTOR	R325	1-208-927-11	METAL CHIP
Q318	8-729-044-58	TRANSISTOR	R326	1-218-969-11	RES-CHIP
Q319	8-729-044-58	TRANSISTOR	R327	1-208-927-11	METAL CHIP
			R328	1-208-931-11	METAL CHIP
			R329	1-218-965-11	RES-CHIP

Note :

The components identified by mark △ or dotted line with mark △ are critical for safety. Replace only with part number specified.

Note :

Les composants identifiés par une marque △ sont critiques pour la sécurité. Ne les remplacer que par une pièce portant le numéro spécifié.

DCR-VX2100/VX2100E

- FK-088
- FP-594
- FT-092
- HL-013
- JK-267

Ref. No.	Part No.	Description
S505	1-771-138-82	SWITCH, KEY BOARD (SLOW)
S506	1-771-138-82	SWITCH, KEY BOARD (REC)
S507	1-771-138-82	SWITCH, KEY BOARD (REC)
S508	1-771-138-82	SWITCH, KEY BOARD (AUDIO DUB)
S509	1-771-138-82	SWITCH, KEY BOARD (EDIT SEARCH+)
S510	1-771-138-82	SWITCH, KEY BOARD (END SEARCH)
S511	1-771-138-82	SWITCH, KEY BOARD (EDIT SEARCH-)
A-7073-418-A	FP-594 FLEXIBLE BOARD	*****
< CONNECTOR >		
CN901	1-784-723-11	PIN, CONNECTOR 4P
< DIODE >		
D901	8-719-067-13	DIODE GL453K
< HOLE ELEMENT >		
H901	8-719-061-28	DIODE HW-105C-FT-V (S REEL)
H901	8-719-061-28	DIODE HW-105C-FT-V (T REEL)
< TRANSISTOR >		
Q901	6-600-109-01	PHOTO TRAN ISTAR PT4800FB (TAPE END)
Q902	6-600-109-01	PHOTO TRAN ISTAR PT4800FB (TAPE TOP)
< SWITCH >		
S901	1-771-039-51	SWITCH, PUSH (C IN SW)
S902	1-572-719-32	SWITCH, PUSH (1 KEY) (REC PROOF)
S903	1-771-325-11	ENCODER, ROTARY (SWITCH)(MODE)
A-7078-943-A	FT-092 BOARD, COMPLETE	*****
< CAPACITOR >		
C750	1-117-919-11	TANTAL. CHIP 10uF 20.00% 6.3V
< CONNECTOR >		
* CN750	1-573-984-11	CONNECTOR, BOARD TO BOARD 10P
< DIODE >		
D750	8-719-951-20	DIODE BR1102W-TR
D751	8-719-052-25	DIODE CL-200IR-X-TU-BC
< FUSE >		
△ F750	1-533-874-11	FUSE 0.2A/24V
< IC >		
IC750	8-749-013-13	IC RS-70-TU
< TRANSISTOR >		
Q750	8-729-037-71	TRANSISTOR UN9210J-(TX).SO
< RESISTOR >		
R750	1-218-951-11	RES-CHIP 680 5% 1/16W
R751	1-218-937-11	RES-CHIP 47 5% 1/16W

Ref. No.	Part No.	Description
A-7078-944-A	HL-013 BOARD, COMPLETE	*****
< CAPACITOR >		
C1701	1-107-726-91	CERAMIC CHIP 0.01uF 10% 16V
< CONNECTOR >		
CN1701	1-766-337-21	CONNECTOR, FFC/FPC 7P
CN1702	1-778-711-11	CONNECTOR, FFC/FPC (ZIF) 5P
CN1703	1-573-930-11	CONNECTOR, FFC/FPC (ZIF) 21P
< DIODE >		
D1701	8-719-073-03	DIODE MA8082-(K8).SO
< IC >		
IC1701	8-759-573-02	IC BU9735K-E2
< RESISTOR >		
R1701	1-218-954-11	RES-CHIP 1.2K 5% 1/16W
R1702	1-218-955-11	RES-CHIP 1.5K 5% 1/16W
R1703	1-218-959-11	RES-CHIP 3.3K 5% 1/16W
R1704	1-216-855-11	METAL CHIP 680K 5% 1/16W
A-7078-952-A	JK-267 BOARD, COMPLETE	*****
< CAPACITOR >		
C301	1-164-937-11	CERAMIC CHIP 0.001uF 10.00% 50V
C302	1-164-937-11	CERAMIC CHIP 0.001uF 10.00% 50V
C303	1-164-937-11	CERAMIC CHIP 0.001uF 10.00% 50V
C304	1-164-937-11	CERAMIC CHIP 0.001uF 10.00% 50V
< CONNECTOR >		
CN300	1-785-828-11	CONNECTOR, SQUARE TYPE 4P (DV Interface)
CN301	1-785-433-21	CONNECTOR, BOARD TO BOARD 40P
< DIODE >		
D300	8-719-062-16	DIODE 01ZA8.2(TPL3)
D301	8-719-073-03	DIODE MA8082-(K8).SO
D302	8-719-062-16	DIODE 01ZA8.2(TPL3)
D303	8-719-062-16	DIODE 01ZA8.2(TPL3)
D304	8-719-062-16	DIODE 01ZA8.2(TPL3)
D305	8-719-073-03	DIODE MA8082-(K8).SO
D306	8-719-062-16	DIODE 01ZA8.2(TPL3)
D307	8-719-073-03	DIODE MA8082-(K8).SO
D308	8-719-073-03	DIODE MA8082-(K8).SO
D309	8-719-072-91	DIODE MAZJ200D0LS0
D310	8-719-062-16	DIODE 01ZA8.2(TPL3)
D311	8-719-422-70	DIODE MA8075-TX
D312	8-719-062-16	DIODE 01ZA8.2(TPL3)
D313	8-719-062-16	DIODE 01ZA8.2(TPL3)
D314	8-719-073-03	DIODE MA8082-(K8).SO
D315	6-500-750-01	DIODE NSAD500H-T1-A

<p>Note : The components identified by mark △ or dotted line with mark △ are critical for safety. Replace only with part number specified.</p>	<p>Note : Les composants identifiés par une marque △ sont critiques pour la sécurité. Ne les remplacer que par une pièce portant le numéro spécifié.</p>
--	--

DCR-VX2100/VX2100E

LA-028

Ref. No.	Part No.	Description			
C209	1-110-569-21	TANTAL. CHIP	47uF	20.00%	4V
C210	1-110-569-21	TANTAL. CHIP	47uF	20.00%	4V
C211	1-110-569-21	TANTAL. CHIP	47uF	20.00%	4V
C214	1-127-895-91	TANTAL. CHIP	22uF	20%	4V
C215	1-125-777-11	CERAMIC CHIP	0.1uF	10.00%	10V
< CONNECTOR >					
CN050	1-784-423-21	CONNECTOR, FFC/FPC (ZIF) 39P			
CN051	1-778-086-21	CONNECTOR, BOARD TO BOARD 80P			
CN052	1-784-421-11	CONNECTOR, FFC/FPC (ZIF) 27P			
CN053	1-766-843-21	CONNECTOR, FFC/FPC 27P			
CN054	1-766-336-21	CONNECTOR, FFC/FPC 6P			
CN055	1-766-336-21	CONNECTOR, FFC/FPC 6P			
CN056	1-766-350-21	CONNECTOR, FFC/FPC 20P			
< DIODE >					
D070	8-719-064-61	DIODE 01BZA8.2(TE85L)			
D140	8-719-056-23	DIODE MA2S111-(K8).SO			
< FERRITE BEAD >					
FB140	1-414-445-11	FERRITE	0uH		
< IC >					
IC070	8-759-359-49	IC NJM3414AV(TE2)			
IC071	8-759-359-49	IC NJM3414AV(TE2)			
IC072	8-759-823-51	IC LB1830M-E			
IC073	8-759-444-87	IC NJM324V(TE2)			
IC074	8-759-058-45	IC NJM3403AV			
IC075	8-759-478-92	IC TC7SET04FU(TE85R)			
IC076	8-759-478-92	IC TC7SET04FU(TE85R)			
IC140	8-759-637-96	IC uPD16877MA-6A5-E2			
IC141	8-759-444-87	IC NJM324V(TE2)			
IC142	8-759-075-66	IC TA75S01F			
IC143	8-759-327-33	IC BU9241FS-E2			
IC144	8-759-327-33	IC BU9241FS-E2			
IC200	8-759-489-19	IC uPC6756GR-8JG-E2			
< COIL >					
L070	1-412-951-11	INDUCTOR	10uH		
L071	1-412-963-11	INDUCTOR	100uH		
L072	1-414-754-11	INDUCTOR	10uH		
L073	1-414-771-91	INDUCTOR	10uH		
L140	1-414-754-11	INDUCTOR	10uH		
L141	1-414-754-11	INDUCTOR	10uH		
L142	1-414-754-11	INDUCTOR	10uH		
L143	1-414-754-11	INDUCTOR	10uH		
L200	1-414-754-11	INDUCTOR	10uH		
< TRANSISTOR >					
Q050	8-729-037-72	TRANSISTOR	UN9211J-(K8).SO		
Q070	8-729-042-26	TRANSISTOR	2SB1462J-QR(K8).SO		
Q071	8-729-042-26	TRANSISTOR	2SB1462J-QR(K8).SO		
Q072	8-729-037-74	TRANSISTOR	UN9213J-(K8).SO		
Q073	8-729-042-26	TRANSISTOR	2SB1462J-QR(K8).SO		
Q074	8-729-037-74	TRANSISTOR	UN9213J-(K8).SO		
Q075	8-729-042-26	TRANSISTOR	2SB1462J-QR(K8).SO		
Q076	8-729-013-31	TRANSISTOR	2SA1588-OY-TE85L		
Q077	8-729-042-26	TRANSISTOR	2SB1462J-QR(K8).SO		
Q078	8-729-037-74	TRANSISTOR	UN9213J-(K8).SO		

Ref. No.	Part No.	Description			
Q140	8-729-042-26	TRANSISTOR	2SB1462J-QR(K8).SO		
Q141	8-729-037-74	TRANSISTOR	UN9213J-(K8).SO		
Q142	8-729-037-52	TRANSISTOR	2SD2216J-QR(K8).SO		
Q143	8-729-037-52	TRANSISTOR	2SD2216J-QR(K8).SO		
Q200	8-729-013-31	TRANSISTOR	2SA1588-OY-TE85L		
Q201	8-729-037-74	TRANSISTOR	UN9213J-(K8).SO		
< RESISTOR >					
R051	1-218-954-11	RES-CHIP	1.2K	5%	1/16W
R052	1-218-955-11	RES-CHIP	1.5K	5%	1/16W
R053	1-218-959-11	RES-CHIP	3.3K	5%	1/16W
R054	1-218-963-11	RES-CHIP	6.8K	5%	1/16W
R055	1-218-969-11	RES-CHIP	22K	5%	1/16W
R063	1-216-295-91	SHORT CHIP	0		
R065	1-216-864-11	METAL CHIP	0	5%	1/16W
R066	1-218-990-11	SHORT CHIP	0		
R067	1-216-864-11	METAL CHIP	0	5%	1/16W
R070	1-208-885-11	METAL CHIP	820	0.5%	1/16W
R071	1-208-703-11	METAL CHIP	6.8K	0.5%	1/16W
R072	1-208-885-11	METAL CHIP	820	0.5%	1/16W
R073	1-208-703-11	METAL CHIP	6.8K	0.5%	1/16W
R074	1-208-707-11	METAL CHIP	10K	0.5%	1/16W
R075	1-208-707-11	METAL CHIP	10K	0.5%	1/16W
R076	1-208-707-11	METAL CHIP	10K	0.5%	1/16W
R077	1-208-935-11	METAL CHIP	100K	0.5%	1/16W
R078	1-208-707-11	METAL CHIP	10K	0.5%	1/16W
R079	1-208-707-11	METAL CHIP	10K	0.5%	1/16W
R080	1-208-935-11	METAL CHIP	100K	0.5%	1/16W
R081	1-208-711-11	METAL CHIP	15K	0.5%	1/16W
R082	1-208-707-11	METAL CHIP	10K	0.5%	1/16W
R083	1-208-711-11	METAL CHIP	15K	0.5%	1/16W
R084	1-218-961-11	RES-CHIP	4.7K	5%	1/16W
R085	1-216-134-00	METAL CHIP	2.2	5%	1/8W
R086	1-218-973-11	RES-CHIP	47K	5%	1/16W
R087	1-218-973-11	RES-CHIP	47K	5%	1/16W
R088	1-208-927-11	METAL CHIP	47K	0.5%	1/16W
R089	1-208-927-11	METAL CHIP	47K	0.5%	1/16W
R091	1-208-935-11	METAL CHIP	100K	0.5%	1/16W
R092	1-208-935-11	METAL CHIP	100K	0.5%	1/16W
R093	1-208-943-11	METAL CHIP	220K	0.5%	1/16W
R095	1-208-943-11	METAL CHIP	220K	0.5%	1/16W
R096	1-208-707-11	METAL CHIP	10K	0.5%	1/16W
R097	1-208-707-11	METAL CHIP	10K	0.5%	1/16W
R098	1-208-935-11	METAL CHIP	100K	0.5%	1/16W
R099	1-208-935-11	METAL CHIP	100K	0.5%	1/16W
R100	1-218-969-11	RES-CHIP	22K	5%	1/16W
R101	1-218-969-11	RES-CHIP	22K	5%	1/16W
R102	1-218-969-11	RES-CHIP	22K	5%	1/16W
R103	1-218-969-11	RES-CHIP	22K	5%	1/16W
R104	1-218-969-11	RES-CHIP	22K	5%	1/16W
R105	1-218-969-11	RES-CHIP	22K	5%	1/16W
R106	1-218-975-11	RES-CHIP	68K	5%	1/16W
R107	1-218-977-11	RES-CHIP	100K	5%	1/16W
R108	1-218-975-11	RES-CHIP	68K	5%	1/16W
R109	1-218-977-11	RES-CHIP	100K	5%	1/16W
R110	1-218-953-11	RES-CHIP	1K	5%	1/16W
R111	1-218-973-11	RES-CHIP	47K	5%	1/16W
R112	1-218-953-11	RES-CHIP	1K	5%	1/16W

LA-028

LB-100

MA-430

Ref. No.	Part No.	Description							
R113	1-218-977-11	RES-CHIP	100K	5%	1/16W				
R114	1-218-965-11	RES-CHIP	10K	5%	1/16W				
R115	1-218-965-11	RES-CHIP	10K	5%	1/16W				
R116	1-218-953-11	RES-CHIP	1K	5%	1/16W				
R117	1-218-953-11	RES-CHIP	1K	5%	1/16W				
R118	1-218-953-11	RES-CHIP	1K	5%	1/16W				
R119	1-218-973-11	RES-CHIP	47K	5%	1/16W				
R120	1-218-965-11	RES-CHIP	10K	5%	1/16W				
R140	1-218-953-11	RES-CHIP	1K	5%	1/16W				
R141	1-218-965-11	RES-CHIP	10K	5%	1/16W				
R142	1-218-975-11	RES-CHIP	68K	5%	1/16W				
R143	1-218-975-11	RES-CHIP	68K	5%	1/16W				
R144	1-218-975-11	RES-CHIP	68K	5%	1/16W				
R145	1-218-975-11	RES-CHIP	68K	5%	1/16W				
R146	1-218-975-11	RES-CHIP	68K	5%	1/16W				
R147	1-216-295-91	SHORT CHIP	0						
R148	1-218-973-11	RES-CHIP	47K	5%	1/16W				
R150	1-218-953-11	RES-CHIP	1K	5%	1/16W				
R151	1-218-989-11	RES-CHIP	1M	5%	1/16W				
R152	1-218-957-11	RES-CHIP	2.2K	5%	1/16W				
R153	1-218-965-11	RES-CHIP	10K	5%	1/16W				
R154	1-218-981-11	RES-CHIP	220K	5%	1/16W				
R155	1-218-985-11	RES-CHIP	470K	5%	1/16W				
R156	1-218-985-11	RES-CHIP	470K	5%	1/16W				
R157	1-218-957-11	RES-CHIP	2.2K	5%	1/16W				
R158	1-218-967-11	RES-CHIP	15K	5%	1/16W				
R159	1-218-969-11	RES-CHIP	22K	5%	1/16W				
R160	1-218-985-11	RES-CHIP	470K	5%	1/16W				
R161	1-218-953-11	RES-CHIP	1K	5%	1/16W				
R162	1-218-953-11	RES-CHIP	1K	5%	1/16W				
R163	1-218-947-11	RES-CHIP	330	5%	1/16W				
R164	1-218-969-11	RES-CHIP	22K	5%	1/16W				
R165	1-218-953-11	RES-CHIP	1K	5%	1/16W				
R166	1-218-965-11	RES-CHIP	10K	5%	1/16W				
R167	1-218-973-11	RES-CHIP	47K	5%	1/16W				
R168	1-208-927-11	METAL CHIP	47K	0.5%	1/16W				
R169	1-208-713-11	METAL CHIP	18K	0.5%	1/16W				
R170	1-208-675-11	METAL CHIP	470	0.5%	1/16W				
R171	1-218-965-11	RES-CHIP	10K	5%	1/16W				
R172	1-218-965-11	RES-CHIP	10K	5%	1/16W				
R173	1-218-953-11	RES-CHIP	1K	5%	1/16W				
R174	1-218-953-11	RES-CHIP	1K	5%	1/16W				
R177	1-218-974-11	RES-CHIP	56K	5%	1/16W				
R178	1-218-950-11	RES-CHIP	560	5%	1/16W				
R179	1-218-965-11	RES-CHIP	10K	5%	1/16W				
R180	1-218-965-11	RES-CHIP	10K	5%	1/16W				
R181	1-218-953-11	RES-CHIP	1K	5%	1/16W				
R182	1-218-953-11	RES-CHIP	1K	5%	1/16W				
R185	1-218-974-11	RES-CHIP	56K	5%	1/16W				
R186	1-218-950-11	RES-CHIP	560	5%	1/16W				
R187	1-216-295-91	SHORT CHIP	0						
R200	1-218-969-11	RES-CHIP	22K	5%	1/16W				
R201	1-218-969-11	RES-CHIP	22K	5%	1/16W				
R202	1-218-969-11	RES-CHIP	22K	5%	1/16W				
R203	1-218-969-11	RES-CHIP	22K	5%	1/16W				
R204	1-218-965-11	RES-CHIP	10K	5%	1/16W				
R205	1-218-965-11	RES-CHIP	10K	5%	1/16W				
R206	1-218-989-11	RES-CHIP	1M	5%	1/16W				
R209	1-218-989-11	RES-CHIP	1M	5%	1/16W				
R210	1-218-953-11	RES-CHIP	1K	5%	1/16W				
R211	1-218-965-11	RES-CHIP	10K	5%	1/16W				
A-7078-953-A	LB-100 BOARD, COMPLETE *****								
< CAPACITOR >									
C221	1-107-826-11	CERAMIC CHIP	0.1uF	10.00%	16V				
C222	1-164-505-11	CERAMIC CHIP	2.2uF		16V				
< CONNECTOR >									
CN200	1-784-421-11	CONNECTOR, FFC/FPC (ZIF) 27P							
CN201	1-691-354-21	CONNECTOR, FFC/FPC (ZIF) 16P							
< DIODE >									
D200	8-719-018-51	DIODE CL-170R-CD-T							
D201	8-719-082-33	DIODE NSCW100-T38							
< IC >									
IC221	8-759-581-11	IC NJM2125F(TE2)							
< TRANSISTOR >									
Q221	6-550-119-01	TRANSISTOR DTC144EMT2L							
Q222	8-729-054-48	TRANSISTOR UP04601008SO							
< RESISTOR >									
R200	1-218-946-11	METAL CHIP	270	5%	1/16W				
R205	1-218-977-11	RES-CHIP	100K	5%	1/16W				
R206	1-218-977-11	RES-CHIP	100K	5%	1/16W				
R207	1-218-977-11	RES-CHIP	100K	5%	1/16W				
R208	1-218-977-11	RES-CHIP	100K	5%	1/16W				
R224	1-218-948-11	METAL CHIP	390	0.5%	1/16W				
R225	1-218-956-11	RES-CHIP	1.8K	5%	1/16W				
R227	1-211-977-11	METAL CHIP	22	0.5%	1/10W				
R230	1-218-892-11	METAL CHIP	75K	0.5%	1/16W				
R231	1-208-701-11	METAL CHIP	5.6K	0.5%	1/16W				
R232	1-208-703-11	METAL CHIP	6.8K	0.5%	1/16W				
A-7078-954-A	MA-430 BOARD, COMPLETE *****								
< CAPACITOR >									
C1106	1-117-919-11	TANTAL. CHIP	10uF	20.00%	6.3V				
C1107	1-117-919-11	TANTAL. CHIP	10uF	20.00%	6.3V				
C1150	1-107-819-11	CERAMIC CHIP	0.022uF	10.00%	16V				
C1151	1-119-923-11	CERAMIC CHIP	0.047uF	10.00%	10V				
C1152	1-107-819-11	CERAMIC CHIP	0.022uF	10.00%	16V				
C1153	1-164-943-11	CERAMIC CHIP	0.01uF	10.00%	16V				
C1154	1-119-923-11	CERAMIC CHIP	0.047uF	10.00%	10V				
C1155	1-117-919-11	TANTAL. CHIP	10uF	20.00%	6.3V				
C1156	1-164-937-11	CERAMIC CHIP	0.001uF	10.00%	50V				
C1157	1-117-919-11	TANTAL. CHIP	10uF	20.00%	6.3V				
C1158	1-164-935-11	CERAMIC CHIP	470PF	10.00%	50V				
C1159	1-164-935-11	CERAMIC CHIP	470PF	10.00%	50V				
C1160	1-164-937-11	CERAMIC CHIP	0.001uF	10.00%	50V				
C1162	1-164-937-11	CERAMIC CHIP	0.001uF	10.00%	50V				
C1163	1-164-937-11	CERAMIC CHIP	0.001uF	10.00%	50V				

DCR-VX2100/VX2100E

MA-430

MI-050

Ref. No.	Part No.	Description			
C1165	1-125-777-11	CERAMIC CHIP	0.1uF	10.00%	10V
C1166	1-125-777-11	CERAMIC CHIP	0.1uF	10.00%	10V
C1167	1-125-777-11	CERAMIC CHIP	0.1uF	10.00%	10V
C1168	1-125-777-11	CERAMIC CHIP	0.1uF	10.00%	10V
C1169	1-125-777-11	CERAMIC CHIP	0.1uF	10.00%	10V
C1170	1-125-777-11	CERAMIC CHIP	0.1uF	10.00%	10V
C1171	1-110-563-11	CERAMIC CHIP	0.068uF	10.00%	16V
C1172	1-110-563-11	CERAMIC CHIP	0.068uF	10.00%	16V
C1173	1-162-970-11	CERAMIC CHIP	0.01uF	10%	25V
C1175	1-107-819-11	CERAMIC CHIP	0.022uF	10.00%	16V
C1177	1-162-970-11	CERAMIC CHIP	0.01uF	10%	25V
C1178	1-107-819-11	CERAMIC CHIP	0.022uF	10.00%	16V
C1179	1-107-819-11	CERAMIC CHIP	0.022uF	10.00%	16V
C1180	1-107-819-11	CERAMIC CHIP	0.022uF	10.00%	16V
C1181	1-109-982-11	CERAMIC CHIP	1uF	10.00%	10V
C1182	1-117-919-11	TANTAL. CHIP	10uF	20.00%	6.3V
C1183	1-165-128-11	CERAMIC CHIP	0.22uF		16V
C1184	1-125-837-91	CERAMIC CHIP	1uF	10%	6.3V
C1185	1-125-777-11	CERAMIC CHIP	0.1uF	10.00%	10V
C1186	1-125-777-11	CERAMIC CHIP	0.1uF	10.00%	10V
C1187	1-110-563-11	CERAMIC CHIP	0.068uF	10.00%	16V
C1188	1-110-563-11	CERAMIC CHIP	0.068uF	10.00%	16V
< CONNECTOR >					
CN1100	1-784-419-11	CONNECTOR, FFC/FPC (ZIF) 15P			
CN1101	1-766-350-21	CONNECTOR, FFC/FPC 20P			
CN1102	1-784-419-11	CONNECTOR, FFC/FPC (ZIF) 15P			
< DIODE >					
D1104	8-719-064-61	DIODE 01BZA8.2(TE85L)			
D1111	8-719-064-61	DIODE 01BZA8.2(TE85L)			
D1112	8-719-064-61	DIODE 01BZA8.2(TE85L)			
D1116	8-719-064-61	DIODE 01BZA8.2(TE85L)			
< IC >					
IC1150	8-759-638-50	IC AN2901FHQEBV			
< COIL >					
L1150	1-414-754-11	INDUCTOR	10uH		
< RESISTOR >					
R1101	1-218-973-11	RES-CHIP	47K	5%	1/16W
R1102	1-218-977-11	RES-CHIP	100K	5%	1/16W
R1103	1-218-973-11	RES-CHIP	47K	5%	1/16W
R1104	1-218-939-11	RES-CHIP	68	5%	1/16W
R1105	1-218-977-11	RES-CHIP	100K	5%	1/16W
R1131	1-218-939-11	RES-CHIP	68	5%	1/16W
R1152	1-218-968-11	RES-CHIP	18K	5%	1/16W
R1153	1-218-971-11	RES-CHIP	33K	5%	1/16W
R1154	1-218-965-11	RES-CHIP	10K	5%	1/16W
R1155	1-218-965-11	RES-CHIP	10K	5%	1/16W
R1157	1-218-963-11	RES-CHIP	6.8K	5%	1/16W
R1158	1-218-963-11	RES-CHIP	6.8K	5%	1/16W
R1159	1-218-963-11	RES-CHIP	6.8K	5%	1/16W
R1160	1-218-953-11	RES-CHIP	1K	5%	1/16W
R1161	1-218-953-11	RES-CHIP	1K	5%	1/16W

Ref. No.	Part No.	Description			
R1162	1-208-912-11	METAL CHIP	11K	0.5%	1/16W
R1163	1-218-963-11	RES-CHIP	6.8K	5%	1/16W
R1164	1-208-912-11	METAL CHIP	11K	0.5%	1/16W
R1165	1-218-965-11	RES-CHIP	10K	5%	1/16W
R1167	1-218-965-11	RES-CHIP	10K	5%	1/16W
R1168	1-218-964-11	RES-CHIP	8.2K	5%	1/16W
R1169	1-208-701-11	METAL CHIP	5.6K	0.5%	1/16W
R1170	1-218-963-11	RES-CHIP	6.8K	5%	1/16W
R1171	1-218-964-11	RES-CHIP	8.2K	5%	1/16W
R1172	1-218-961-11	RES-CHIP	4.7K	5%	1/16W
R1173	1-218-961-11	RES-CHIP	4.7K	5%	1/16W
R1174	1-218-971-11	RES-CHIP	33K	5%	1/16W
R1175	1-218-971-11	RES-CHIP	33K	5%	1/16W
R1176	1-218-971-11	RES-CHIP	33K	5%	1/16W
R1177	1-218-953-11	RES-CHIP	1K	5%	1/16W
R1178	1-218-968-11	RES-CHIP	18K	5%	1/16W
R1179	1-218-971-11	RES-CHIP	33K	5%	1/16W
R1180	1-218-963-11	RES-CHIP	6.8K	5%	1/16W
R1181	1-218-965-11	RES-CHIP	10K	5%	1/16W
R1182	1-218-965-11	RES-CHIP	10K	5%	1/16W

A-7078-947-A MI-050 BOARD, COMPLETE

< CAPACITOR >

C700	1-164-874-11	CERAMIC CHIP	100PF	5.00%	50V
C701	1-164-874-11	CERAMIC CHIP	100PF	5.00%	50V
C702	1-164-489-11	CERAMIC CHIP	0.22uF	10.00%	16V
C703	1-164-489-11	CERAMIC CHIP	0.22uF	10.00%	16V
C704	1-164-874-11	CERAMIC CHIP	100PF	5.00%	50V
C705	1-164-874-11	CERAMIC CHIP	100PF	5.00%	50V
C706	1-110-569-11	TANTAL. CHIP	47uF	20.00%	6.3V
C709	1-115-467-11	CERAMIC CHIP	0.22uF	10.00%	10V
C710	1-113-682-11	TANTAL. CHIP	33uF	20.00%	10V
C711	1-113-682-11	TANTAL. CHIP	33uF	20.00%	10V

< CONNECTOR >

CN700	1-580-057-11	PIN, CONNECTOR (SMD) 4P			
CN701	1-580-057-11	PIN, CONNECTOR (SMD) 4P			
CN702	1-573-990-21	CONNECTOR, BOARD TO BOARD 10P			
* CN703	1-750-339-21	CONNECTOR, FFC/FPC (ZIF) 14P			

< TRANSISTOR >

Q700	8-729-140-75	TRANSISTOR	2SD999-T1-CLCK		
Q701	8-729-037-52	TRANSISTOR	2SD2216J-QR(TX).SO		
Q702	8-729-403-35	TRANSISTOR	UN5113-TX		
Q703	8-729-037-52	TRANSISTOR	2SD2216J-QR(TX).SO		
Q704	8-729-402-42	TRANSISTOR	UN5213-TX		
Q705	8-729-037-52	TRANSISTOR	2SD2216J-QR(TX).SO		
Q706	8-729-037-52	TRANSISTOR	2SD2216J-QR(TX).SO		
Q707	8-729-037-52	TRANSISTOR	2SD2216J-QR(TX).SO		

< RESISTOR >

R700	1-218-847-11	METAL CHIP	1K	0.5%	1/10W
R701	1-218-847-11	METAL CHIP	1K	0.5%	1/10W
R702	1-218-880-11	METAL CHIP	24K	0.5%	1/10W
R703	1-218-894-11	METAL CHIP	91K	0.5%	1/10W
R704	1-218-880-11	METAL CHIP	24K	0.5%	1/10W

MI-050

MK-016

MS-209

PD-217

Ref. No.	Part No.	Description			
R705	1-218-894-11	METAL CHIP	91K	0.5%	1/10W
R706	1-216-313-00	METAL CHIP	8.2	5%	1/10W
R707	1-218-949-11	RES-CHIP	470	5%	1/16W
R708	1-218-947-11	RES-CHIP	330	5%	1/16W
R713	1-218-965-11	RES-CHIP	10K	5%	1/16W
R714	1-218-965-11	RES-CHIP	10K	5%	1/16W
R715	1-218-965-11	RES-CHIP	10K	5%	1/16W
R716	1-218-990-11	SHORT CHIP	0		
R717	1-218-990-11	SHORT CHIP	0		

A-7078-948-A MK-016 BOARD, COMPLETE

< CONNECTOR >

CN001 1-779-327-11 CONNECTOR, FFC/FPC 6P

< DIODE >

D003 8-719-061-82 DIODE TLSU1002(TPX1,SONY)
D004 8-719-073-03 DIODE MA8082-(K8).SO

< RESISTOR >

R001 1-218-950-11 RES-CHIP 560 5% 1/16W
R002 1-218-954-11 RES-CHIP 1.2K 5% 1/16W
R003 1-218-955-11 RES-CHIP 1.5K 5% 1/16W
R004 1-218-959-11 RES-CHIP 3.3K 5% 1/16W
R005 1-218-963-11 RES-CHIP 6.8K 5% 1/16W

R006 1-218-969-11 RES-CHIP 22K 5% 1/16W

< SWITCH >

S001 1-771-138-82 SWITCH, KEY BOARD (PROGRAM AE)
S002 1-771-138-82 SWITCH, KEY BOARD (SHUTTER SPEED)
S003 1-771-138-82 SWITCH, KEY BOARD (WHT BAL)
S004 1-771-138-82 SWITCH, KEY BOARD (AUDIO LEVEL)
S005 1-762-648-21 SWITCH, SLIDE (AUTOLOCK/HOLD)

A-7078-949-A MS-209 BOARD, COMPLETE

< CONNECTOR >

CN775 1-766-644-21 CONNECTOR, FFC/FPC 8P
CN776 1-793-641-11 CONNECTOR, MEMORY STICK

< RESISTOR >

R1002 1-216-864-11 METAL CHIP 0 5% 1/16W
R1003 1-218-990-11 SHORT CHIP 0
R1004 1-216-864-11 METAL CHIP 0 5% 1/16W

A-7078-956-A PD-217 BOARD, COMPLETE

< CAPACITOR >

C2101 1-119-750-11 TANTAL. CHIP 22uF 20.00% 6.3V
C2102 1-125-777-11 CERAMIC CHIP 0.1uF 10.00% 10V
C2103 1-164-943-11 CERAMIC CHIP 0.01uF 10.00% 16V
C2104 1-117-919-11 TANTAL. CHIP 10uF 20.00% 6.3V
C2105 1-125-777-11 CERAMIC CHIP 0.1uF 10.00% 10V

Ref. No.	Part No.	Description			
C2107	1-107-826-11	CERAMIC CHIP	0.1uF	10.00%	16V
C2108	1-164-943-11	CERAMIC CHIP	0.01uF	10.00%	16V
C2109	1-164-943-11	CERAMIC CHIP	0.01uF	10.00%	16V
C2110	1-164-943-11	CERAMIC CHIP	0.01uF	10.00%	16V
C2111	1-164-739-11	CERAMIC CHIP	560PF	5.00%	50V
C2112	1-125-838-11	CERAMIC CHIP	2.2uF	10%	6.3V
C2113	1-164-004-11	CERAMIC CHIP	0.1uF	10%	25V
C2114	1-164-943-11	CERAMIC CHIP	0.01uF	10.00%	16V
C2115	1-100-502-11	TANTAL. CHIP	3.3uF	20%	25V
C2116	1-164-937-11	CERAMIC CHIP	0.001uF	10.00%	50V

C2117 1-164-872-11 CERAMIC CHIP 82PF 5.00% 50V
C2118 1-125-838-11 CERAMIC CHIP 2.2uF 10% 6.3V
C2119 1-125-838-11 CERAMIC CHIP 2.2uF 10% 6.3V
C2120 1-125-838-11 CERAMIC CHIP 2.2uF 10% 6.3V
C2123 1-100-502-11 TANTAL. CHIP 3.3uF 20% 25V

C2124 1-164-943-11 CERAMIC CHIP 0.01uF 10.00% 16V
C2125 1-163-021-91 CERAMIC CHIP 0.01uF 10.00% 50V
C2126 1-115-566-11 CERAMIC CHIP 4.7uF 10.00% 10V
C2127 1-125-777-11 CERAMIC CHIP 0.1uF 10.00% 10V
C2128 1-107-725-11 CERAMIC CHIP 0.1uF 10.00% 16V

C2133 1-109-982-11 CERAMIC CHIP 1uF 10.00% 10V
C2181 1-119-751-11 TANTAL. CHIP 22uF 20.00% 16V
C2182 1-164-943-11 CERAMIC CHIP 0.01uF 10.00% 16V
C2183 1-119-751-11 TANTAL. CHIP 22uF 20.00% 16V
C2184 1-164-943-11 CERAMIC CHIP 0.01uF 10.00% 16V

C2185 1-104-851-11 TANTAL. CHIP 10uF 20.00% 10V
C2186 1-125-777-11 CERAMIC CHIP 0.1uF 10.00% 10V

< CONNECTOR >

CN2100 1-794-378-21 PIN, CONNECTOR 14P
CN2101 1-794-377-21 PIN, CONNECTOR 8P
* CN2103 1-778-155-11 CONNECTOR, FFC/FPC (ZIF) 7P
* CN2104 1-778-172-11 CONNECTOR, FFC/FPC (ZIF) 24P
CN2105 1-764-704-21 CONNECTOR, FFC/FPC (LIF) 5P

< DIODE >

D2101 8-719-404-50 DIODE MA111-TX
D2102 8-719-084-46 DIODE 1SV288(TPH3)
D2104 8-719-050-42 DIODE RD3.3UM-T1B
D2181 8-719-059-47 DIODE PG1111R-TR

< IC >

IC2101 8-752-109-08 IC CXA3289BR-T4
IC2103 8-752-409-15 IC CXD3516R-T4

< COIL >

L2101 1-414-755-11 INDUCTOR 22uH
L2102 1-414-754-11 INDUCTOR 10uH
L2103 1-414-754-11 INDUCTOR 10uH
L2104 1-412-943-11 INDUCTOR 2.2uH
L2181 1-412-056-11 INDUCTOR 4.7uH

L2182 1-414-757-11 INDUCTOR 100uH

< TRANSISTOR >

Q2101 8-729-427-74 TRANSISTOR XP4601-TXE
Q2102 8-729-037-74 TRANSISTOR UN9213J-(TX).SO
Q2103 8-729-427-74 TRANSISTOR XP4601-TXE
Q2104 8-729-041-23 TRANSISTOR NDS356AP
Q2109 8-729-042-26 TRANSISTOR 2SB1462J-QR(K8).SO

DCR-VX2100/VX2100E

PD-217

SE-147

VC-358

Ref. No.	Part No.	Description			
Q2111	8-729-037-52	TRANSISTOR	2SD2216J-QR(K8).SO		
Q2112	8-729-048-77	TRANSISTOR	XP4313-(TX).SO		
Q2181	8-729-042-72	TRANSISTOR	UN9214J-(K8).SO		
Q2182	8-729-037-53	TRANSISTOR	2SA1832F-Y/GR(TPL3)		
Q2183	8-729-042-59	TRANSISTOR	UN9112J-(K8).SO		
< RESISTOR >					
R2111	1-218-985-11	RES-CHIP	470K	5%	1/16W
R2112	1-218-985-11	RES-CHIP	470K	5%	1/16W
R2113	1-218-990-11	SHORT CHIP	0		
R2115	1-218-958-11	RES-CHIP	2.7K	5%	1/16W
R2116	1-218-973-11	RES-CHIP	47K	5%	1/16W
R2117	1-218-975-11	RES-CHIP	68K	5%	1/16W
R2118	1-218-969-11	RES-CHIP	22K	5%	1/16W
R2119	1-218-975-11	RES-CHIP	68K	5%	1/16W
R2122	1-218-989-11	RES-CHIP	1M	5%	1/16W
R2123	1-218-990-11	SHORT CHIP	0		
R2124	1-218-977-11	RES-CHIP	100K	5%	1/16W
R2129	1-218-990-11	SHORT CHIP	0		
R2134	1-208-635-11	RES-CHIP	10	5%	1/16W
R2136	1-208-635-11	RES-CHIP	10	5%	1/16W
R2137	1-208-635-11	RES-CHIP	10	5%	1/16W
R2138	1-218-941-81	RES-CHIP	100	5%	1/16W
R2143	1-218-965-11	RES-CHIP	10K	5%	1/16W
R2144	1-218-977-11	RES-CHIP	100K	5%	1/16W
R2146	1-218-990-11	SHORT CHIP	0		
R2147	1-218-990-11	SHORT CHIP	0		
R2148	1-218-965-11	RES-CHIP	10K	5%	1/16W
R2153	1-218-990-11	SHORT CHIP	0		
R2157	1-208-935-11	METAL CHIP	100K	0.5%	1/16W
R2158	1-208-703-11	METAL CHIP	6.8K	0.5%	1/16W
R2159	1-218-979-11	RES-CHIP	150K	5%	1/16W
R2160	1-208-957-11	RES-CHIP	820K	5%	1/16W
R2162	1-218-990-11	SHORT CHIP	0		
R2163	1-218-990-11	SHORT CHIP	0		
R2165	1-218-990-11	SHORT CHIP	0		
R2166	1-218-965-11	RES-CHIP	10K	5%	1/16W
R2167	1-216-295-91	SHORT CHIP	0		
R2168	1-218-990-11	SHORT CHIP	0		
R2169	1-218-990-11	SHORT CHIP	0		
R2170	1-218-977-11	RES-CHIP	100K	5%	1/16W
R2172	1-218-990-11	SHORT CHIP	0		
R2173	1-218-990-11	SHORT CHIP	0		
R2174	1-218-990-11	SHORT CHIP	0		
R2175	1-218-990-11	SHORT CHIP	0		
R2176	1-218-990-11	SHORT CHIP	0		
R2181	1-218-961-11	RES-CHIP	4.7K	5%	1/16W
R2182	1-218-953-11	RES-CHIP	1K	5%	1/16W
R2183	1-218-941-81	RES-CHIP	100	5%	1/16W
R2184	1-218-990-11	SHORT CHIP	0		
A-7078-950-A SE-147 BOARD, COMPLETE *****					
< CAPACITOR >					
C600	1-125-777-11	CERAMIC CHIP	0.1uF	10.00%	10V
C601	1-127-895-91	TANTAL. CHIP	22uF	20%	4V

Ref. No.	Part No.	Description		
		< CONNECTOR >		
CN600	1-766-336-21	CONNECTOR, FFC/FPC 6P		
		< COIL >		
L600	1-414-754-11	INDUCTOR	10uH	
		< SENSOR >		
SE600	1-803-042-31	SENSOR, ANGULAR VELOCITY (YAW)		
SE601	1-803-042-41	SENSOR, ANGULAR VELOCITY (PITCH)		

A-7112-572-A VC-358 BOARD, COMPLETE (SERVICE)

**Electrical parts list of the VC-358 board are not shown.
Pages from 5-27 to 5-35 are not shown.**

DCR-VX2100/VX2100E

ZM-030

RM-091

Ref. No.	Part No.	Description			
	A-7078-951-A	ZM-030 BOARD, COMPLETE			

		< BATTERY >			
△ BT801	1-756-128-11	BATTERY, LITHIUM (SECONDARY)			
△ BT802	1-756-128-11	BATTERY, LITHIUM (SECONDARY)			
		< CONNECTOR >			
CN801	1-766-337-21	CONNECTOR, FFC/FPC 7P			
		< DIODE >			
D801	8-719-064-61	DIODE 01BZA8.2(TE85L)			
		< RESISTOR >			
R801	1-218-965-11	RES-CHIP	10K	5%	1/16W
R803	1-218-965-11	RES-CHIP	10K	5%	1/16W
R804	1-218-965-11	RES-CHIP	10K	5%	1/16W
R805	1-218-941-81	RES-CHIP	100	5%	1/16W
R806	1-218-965-11	RES-CHIP	10K	5%	1/16W
R807	1-218-941-81	RES-CHIP	100	5%	1/16W
R809	1-218-990-11	SHORT CHIP	0		
		< SWITCH >			
S801	1-572-342-11	SWITCH, SLIDE (H/L/OFF)			
S802	1-786-157-31	TACTILE SWITCH (REC)			
S803	1-786-157-31	TACTILE SWITCH (W)			
S804	1-786-157-31	TACTILE SWITCH (T)			
		< CAPACITOR >			
C1109	1-117-919-11	TANTAL. CHIP	10uF	20.00%	6.3V
		< DIODE >			
D1105	8-719-951-20	DIODE BR1102W-TR			
D1106	8-719-073-03	DIODE MA8082-(K8).S0			
D1107	8-719-073-01	DIODE MA111-(K8).S0			
D1108	8-719-073-01	DIODE MA111-(K8).S0			
D1109	8-719-073-01	DIODE MA111-(K8).S0			
D1110	8-719-073-01	DIODE MA111-(K8).S0			
		< IC >			
IC1102	8-749-013-13	IC RS-70-TU			
		< TRANSISTOR >			
Q1104	8-729-037-71	TRANSISTOR UN9210J-(TX).S0			
		< RESISTOR >			
R1121	1-218-951-11	RES-CHIP	680	5%	1/16W
R1122	1-218-990-11	SHORT CHIP	0		
R1123	1-218-990-11	SHORT CHIP	0		
R1125	1-218-937-11	RES-CHIP	47	5%	1/16W
R1126	1-218-953-11	RES-CHIP	1K	5%	1/16W

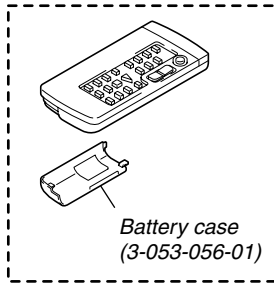
Ref. No.	Part No.	Description
		< SWITCH >
S1100	1-572-473-11	SWITCH, TACTILE (CUSTOM PRESET)

CAUTION :
 Danger of explosion if battery is incorrectly replaced.
 Replace only with the same or equivalent type.

<p>Note : The components identified by mark △ or dotted line with mark △ are critical for safety. Replace only with part number specified.</p>	<p>Note : Les composants identifiés par une marque △ sont critiques pour la sécurité. Ne les remplacer que par une pièce portant le numéro spécifié.</p>
--	--

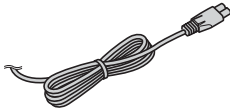
Checking supplied accessories.

Make sure that the following accessories are supplied with your camcorder.



Battery case
(3-053-056-01)

Wireless Remote Commander (1)
(RMT-811)
1-475-950-53



Power cord (Main lead) (1)
(AUS model)

△ 1-696-819-21

Power cord (Main lead) (1)
(AEP, E model)

△ 1-769-608-11

Power cord (Main lead) (1)
(KR model)

△ 1-776-985-11

Power cord (Main lead) (1)
(CH model)

△ 1-782-476-13

Power cord (Main lead) (1)
(UK, HK model)

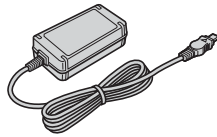
△ 1-783-374-11

Power cord (Main lead) (1)
(US, CND model)

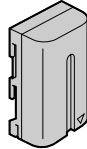
△ 1-790-107-22

Power cord (Main lead) (1)
(JE model)

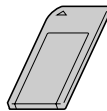
△ 1-790-732-12



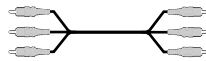
AC Adaptor (1)
△ 1-477-533-51



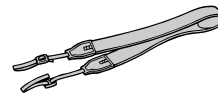
Rechargeable battery pack (1)
(NP-F330)
A-7094-140-A
(US, CND model)
A-7094-141-A
(AEP, UK, E, HK, AUS, JE model)
A-7095-596-A
(CH model)



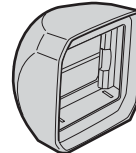
Memory stick (1)
(MSA-8A)
A-7024-735-A



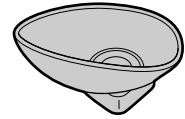
A/V connecting cable (1.5m) (1)
1-823-364-21



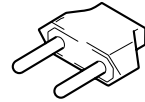
Shoulder strap (1)
3-987-015-01



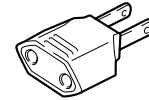
Hood with a lens cap (1)
3-088-528-01



Eye cup (1)
3-087-515-01



2-pin conversion adaptor (1)
(JE model)
1-569-007-12



2-pin conversion adaptor (1)
(E, HK model)
1-569-008-12



21-pin adaptor (1)
(AEP, UK model)
1-770-783-21

• Abbreviation

- CND : Canadian model
- AUS : Australian model
- CH : Chinese model
- HK : Hong Kong model
- KR : Korea model
- JE : Tourist model

Other accessories

3-087-414-11 MANUAL, INSTRUCTION (ENGLISH)
(VX2100:US,CND,E,HK,JE)

3-087-414-21 MANUAL, INSTRUCTION (FRENCH) (CND)

3-087-414-31 MANUAL, INSTRUCTION (SPANISH/PORTUGUESE)
(VX2100:E,JE)

3-087-414-41 MANUAL, INSTRUCTION (TRADITIONAL CHINESE)
(VX2100:E,HK)

3-087-414-51 MANUAL, INSTRUCTION (ARABIC) (VX2100:E)

3-087-414-61 MANUAL, INSTRUCTION (KOREAN) (VX2100:JE,KR)

3-087-415-11 MANUAL, INSTRUCTION (ENGLISH/RUSSIAN) (VX2100E)

3-087-415-21 MANUAL, INSTRUCTION (SPANISH/PORTUGUESE) (AEP)

3-087-415-31 MANUAL, INSTRUCTION (FRENCH/GERMAN)
(VX2100E:AEP,E,JE)

3-087-415-41 MANUAL, INSTRUCTION (DUTCH/ITALIAN) (AEP)

3-087-415-51 MANUAL, INSTRUCTION (ARABIC/PERSIAN)
(VX2100E:E)

3-087-415-61 MANUAL, INSTRUCTION (TRADITIONAL CHINESE)
(VX2100E:HK)

3-087-415-71 MANUAL, INSTRUCTION (SIMPLIFIED CHINESE)

Note :

The components identified by mark △ or dotted line with mark △ are critical for safety. Replace only with part number specified.

Note :

Les composants identifiés par une marque △ sont critiques pour la sécurité. Ne les remplacer que par une pièce portant le numéro spécifié.

DCR-VX2100/VX2100E

RMT-811

SONY®

LEVEL 2

SERVICE MANUAL

Ver 1.1 2005.06

US Model
Canadian Model
Korea Model
DCR-VX2100
AEP Model
UK Model
Australian Model
Chinese Model
DCR-VX2100E
E Model
Hong Kong Model
Tourist Model
DCR-VX2100/VX2100E


SUPPLEMENT-1


File this supplement-1 with the service manual.

- Change of repair parts list

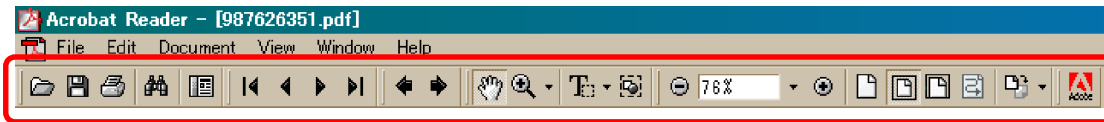
5. REPAIR PARTS LIST

5-1. EXPLODED VIEWS

 : Changed portion


Page	Before change			After change		
5-12	5-1-10. LENS BLOCK SECTION					
	<u>Ref. No.</u>	<u>Part No.</u>	<u>Description</u>	<u>Ref. No.</u>	<u>Part No.</u>	<u>Description</u>
	458	3-709-596-01	LENS ASSY, ZOOM	458	3-709-596-02 	LENS ASSY, ZOOM

[Description of main button functions on toolbar of the Adobe Acrobat Reader Ver5.0 (for Windows)]




Toolbar



Printing a text

1. Click the Print button .
2. Specify a printer, print range, number of copies, and other options, and then click [OK].

Application of printing:

To set a range to be printed within a page, select the graphic selection tool  and drag on the page to enclose a range to be printed, and then click the Print button.


Reversing the screens displayed once

- To reverse the previous screens (operation) one by one, click the .
- To advance the reversed screens (operation) one by one, click the .

Application to the Service Manual:

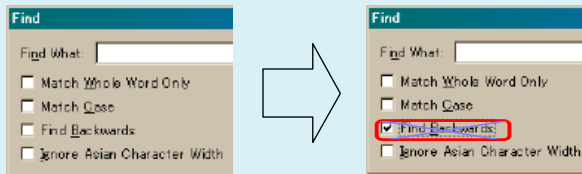
This function allows you to go and back between circuit diagram and printed circuit board diagram, and accordingly it will be convenient for the voltage check.

Finding a text

1. Click the Find button .
2. Enter a character string to be found into a text box, and click the [Find]. (Specify the find options as necessary)

Application to the Service Manual:

To execute "find" from current page toward the previous pages, select the check box "Find Backwards" and then click the "Find".







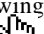
3. Open the find dialog box again, and click the [Find Again] and you can find the matched character strings displayed next. (Character strings entered previously are displayed as they are in the text box.)

Application to the Service Manual:

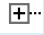
The parts on the drawing pages (block diagrams, circuit diagrams, printed circuit boards) and parts list pages in a text can be found using this find function. For example, find a Ref. No. of IC on the block diagram, and click the [Find Again] continuously, so that you can move to the Ref. No. of IC on the circuit diagram or printed circuit board diagram successively.

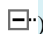
Note: The find function may not be applied to the Service Manual depending on the date of issue.

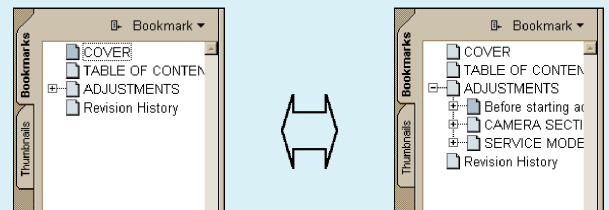
Moving with link

1. Select either palm tool , zoom tool , text selection tool , or graphic selection tool .
2. Place the pointer in the position in a text where the link exists (such as a button on cover and the table of contents page, or blue characters on the removal flowchart page or drawing page), and the pointer will change to the forefinger form .
3. Then, click the link. (You will go to the link destination.)

Moving with bookmark:



Click an item (text) on the bookmark pallet. and you can move to the link destination. Also, clicking  can display the hidden items.

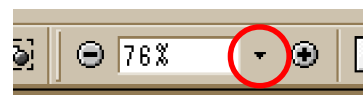
(To go back to original state, click )




Zooming or rotating the screen display

"Zoom in/out"

- Click the triangle button in the zoom control box to select the display magnification. Or, you may click  or  for zooming in or out.







"Rotate"

- Click rotate tool , and the page then rotates 90 degrees each.

Application to the Service Manual:

The printed circuit board diagram you see now can be changed to the same direction as the set.

Switching a page

- To move to the first page, click the .
- To move to the last page, click the .
- To move to the previous page, click the .
- To move to the next page, click the .

